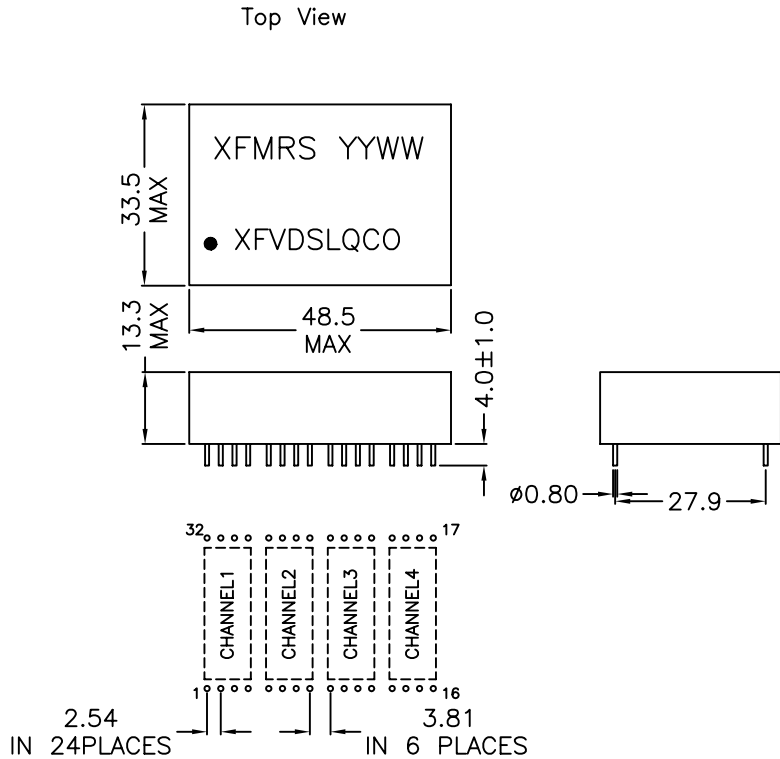
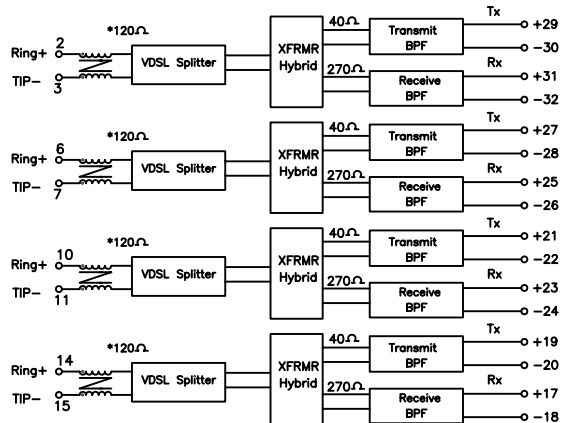


1. Mechanical Dimensions:



2. Schematic:



3. Electrical Specifications: @25°C

Description	Insertion Loss (Max)	Stopband Frequency	Attenuation (Min)	Impedance
Line to RX	2.0 dB	10KHz–220KHz	60 dB	270 Ohms
		1MHz–3.4MHz	17 dB	
		5.7MHz–8.1MHz	17 dB	
Line to TX	1.5 dB	10KHz–150KHz	40 dB	40 Ohms
		22MHz–40MHz	22 dB	

Line Return Loss: 12dB Min, @4MHz–5.04MHz & 9.1MHz–11.9MHz
VDSL Hybrid Loss: 37dB Min, @1MHz–3.4MHz & 5.7MHz–8.1MHz
VDSL Hybrid Loss: 20dB Min, @4MHz–5.04MHz & 9.1MHz–11.9MHz
Hypot: 1500Vrms

PRELIMINARY

Notes:

- Solderability: Leads shall meet MIL-STD-202, Method 208D for solderability.
- Flammability: UL94V-0
- ASTM oxygen index: > 28%
- Temperature rating: 155°C. UL file E151556
- Operating Temperature Range: 0°C to +70°C

XFMRS Inc	Title: 4-BAND VDSL FILTER/HYBRID SOLUTION	
	UNLESS OTHERWISE SPECIFIED TOLERANCES: .xx ± 0.30 Dimensions in MM	P/N: XFVDSLQCO DWN. 李小锋 CHK. 廖玉坤 APP. Isaiah M
SHT 1 OF 1	REV. A	Dec-10-02
		Dec-10-02
		Dec-10-02

DOC. REV. A/3