



TAI-SAW TECHNOLOGY CO., LTD.

No. 3, Industrial 2nd Rd., Ping-Chen Industrial District,
Taoyuan, 324, Taiwan, R.O.C.

TEL: 886-3-4690038 FAX: 886-3-4697532

E-mail: tstsales@mail.taisaw.com Web: www.taisaw.com

Approval Sheet For Product Specification

Issued Date: Dec, 4, 2007

Product Name: SAW Filter 1575.42 MHz SMD 2.0X1.6 mm

TST Parts No.:TA0587A

Customer Parts No.: _____

Company: _____
Division: _____
Approved by : _____
Date: _____

Checked by: _____ Bob Chau

Approval by: _____ Francis Chen

Date: _____ 12, 4, 2007



TAI-SAW TECHNOLOGY CO., LTD.

No. 3, Industrial 2nd Rd., Ping-Chen Industrial District,
Taoyuan, 324, Taiwan, R.O.C.

TEL: 886-3-4690038 FAX: 886-3-4697532

E-mail: tstsales@mail.taisaw.com Web: www.taisaw.com

SAW Filter 1575.42 MHz for GPS

MODEL NO.: TA0587A

REV. NO.:4

A. MAXIMUM RATING:

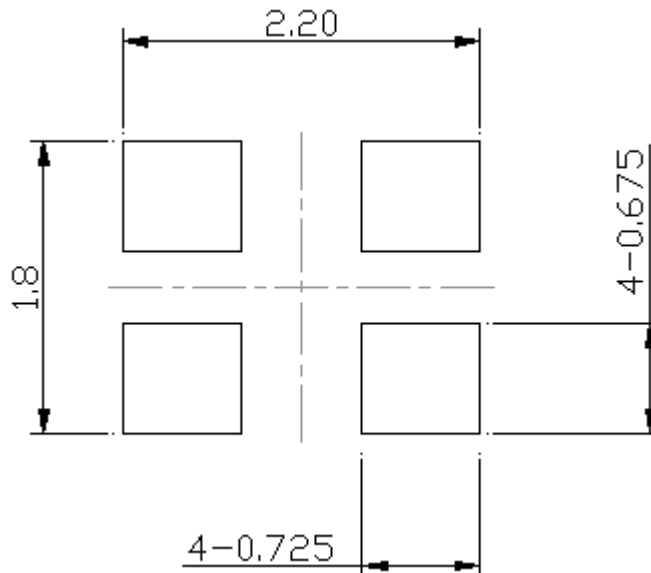
1. Input Power Level: 10 dB_m (1574.42 ~ 1576.42 MHz)
2. Input Power Level: 10 dB_m (D.C. ~ 1500 MHz and 1625 ~ 3000MHz)
3. DC voltage: 7.5 V
4. Operating Temperature: -40°C to +85°C
5. Storage Temperature: -40°C to +95°C

RoHS Compliant
Lead free
Lead-free soldering

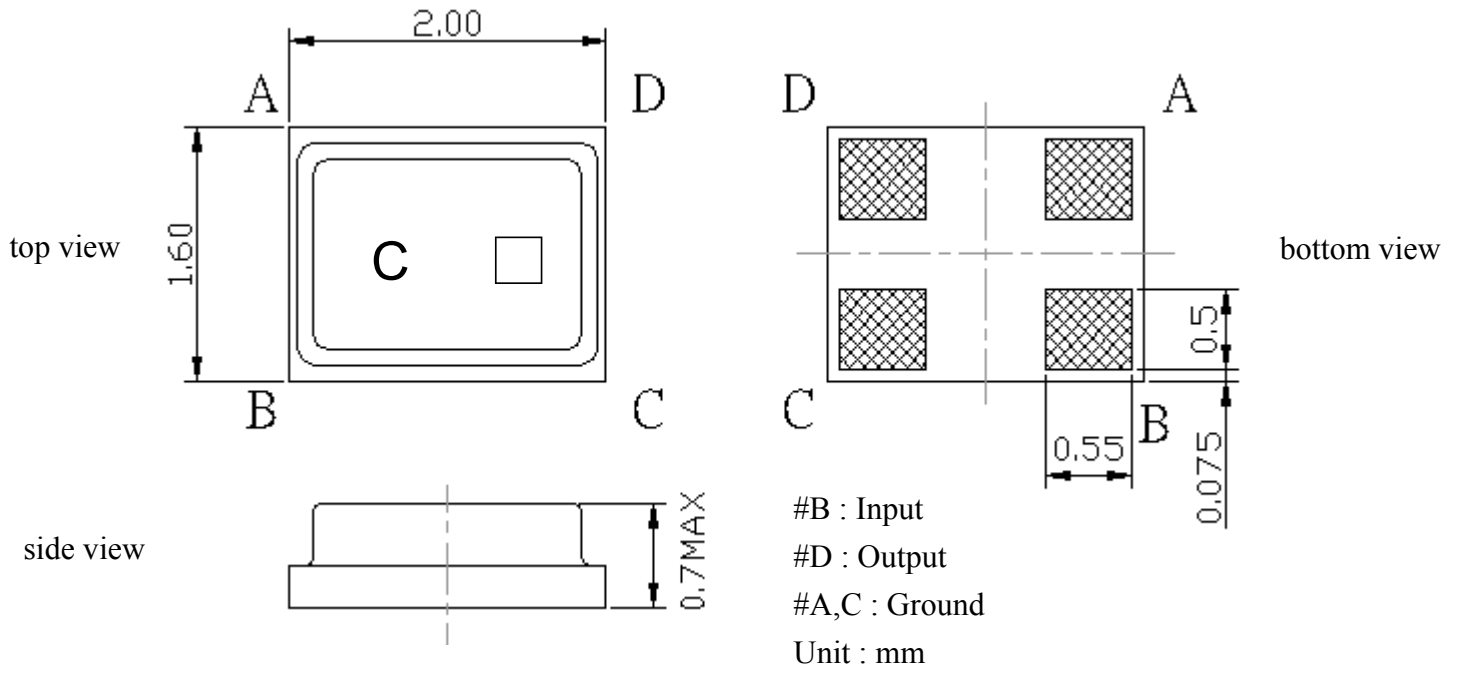
B. ELECTRICAL CHARACTERISTICS:

Item		Min.	Typ.	Max.
Center frequency	F _c (MHz)	-	1575.42	-
Insertion loss (1574.42~1576.42 MHz)	IL (dB)	-	1.2	1.6
Amplitude ripple (1574.42~1576.42 MHz)	(dB)	-	0.1	0.8
Bandwidth @ -2dB	(MHz)	-	37	-
Attenuation (Reference level from 0 dB)				
D.C. ~ 1000 MHz	(dB)	20	23	-
1500 MHz	(dB)	35	48	-
1625 ~ 1635 MHz	(dB)	30	48	-
1800 ~ 3000 MHz	(dB)	25	28	-
VSWR (1574.42~1576.42 MHz)		-	1.2	1.8
Source impedance	Z _s (Ω)	-	50	-
Load impedance	Z _L (Ω)	-	50	-

C. PCB Footprint:



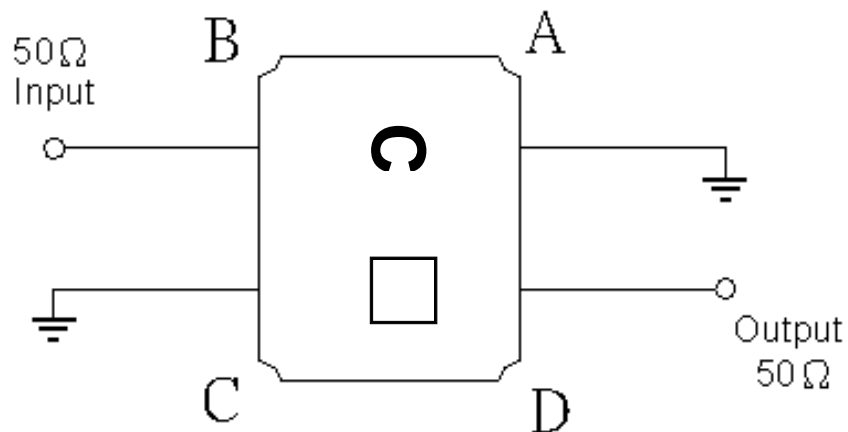
D. OUTLINE DRAWING:



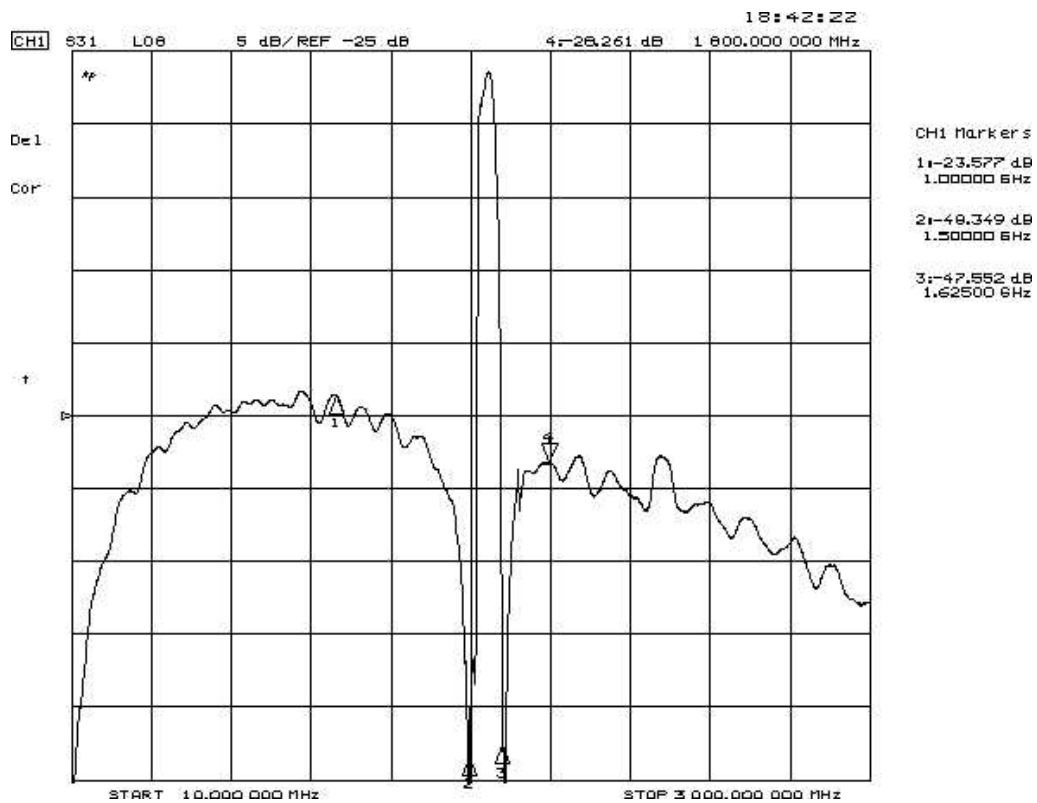
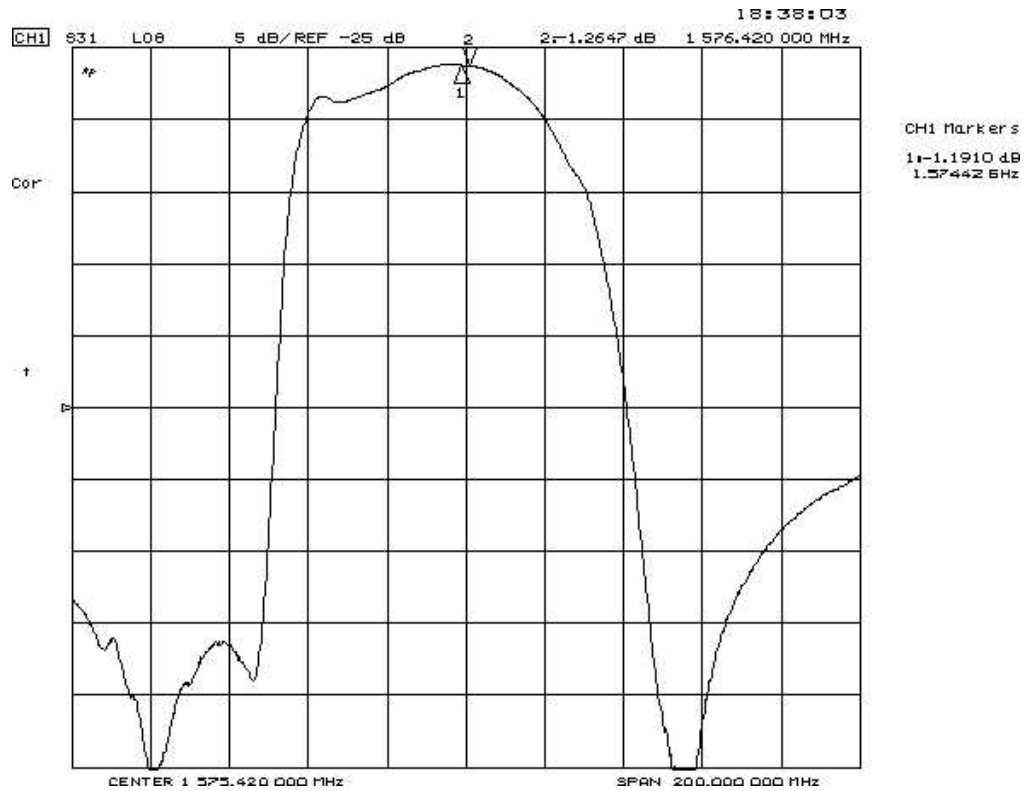
□ : Year/Month Code (Follow the table)

Year/Month	1	2	3	4	5	6	7	8	9	10	11	12
2006	A	B	C	D	E	F	G	H	J	K	L	M
2007	N	P	Q	R	S	T	U	V	W	X	Y	Z
2008	a	b	c	d	e	f	g	h	j	k	i	m
2009	n	p	q	r	s	t	u	v	w	x	y	z
2010	A	B	C	D	E	F	G	H	J	K	L	M
2011	N	P	Q	R	S	T	U	V	W	X	Y	Z

E. MEASUREMENT CIRCUIT:

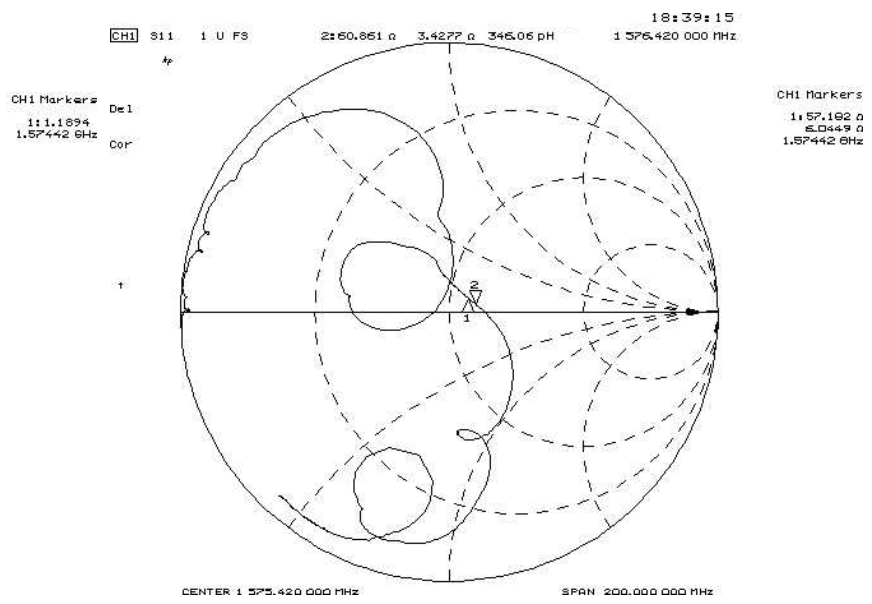
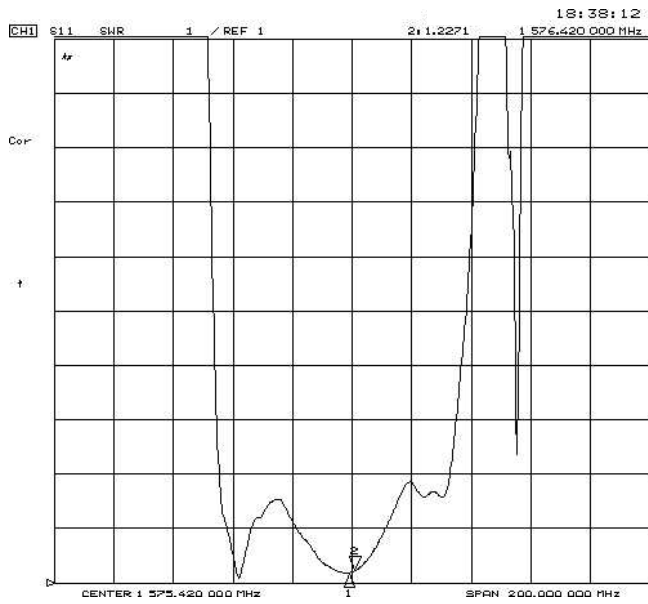


F. Frequency Characteristics : Transfer function

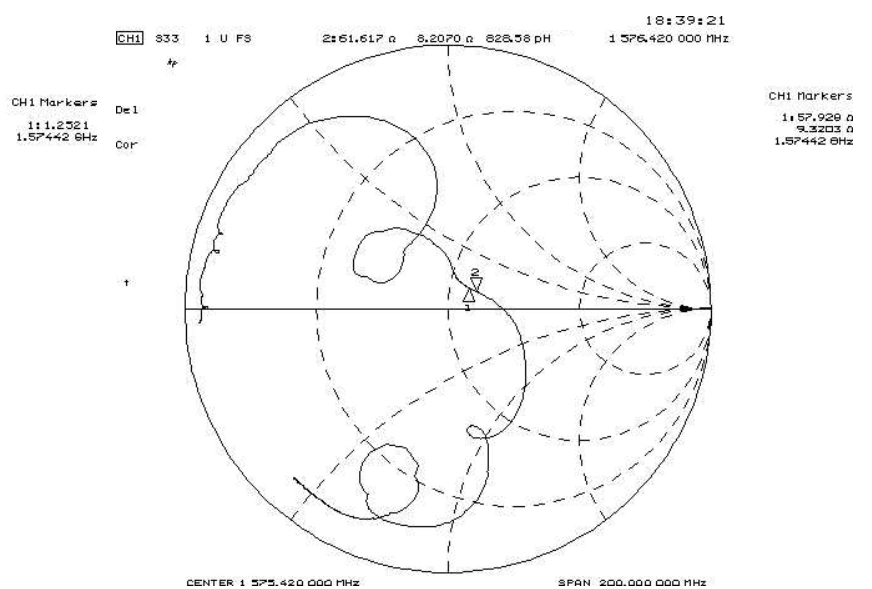
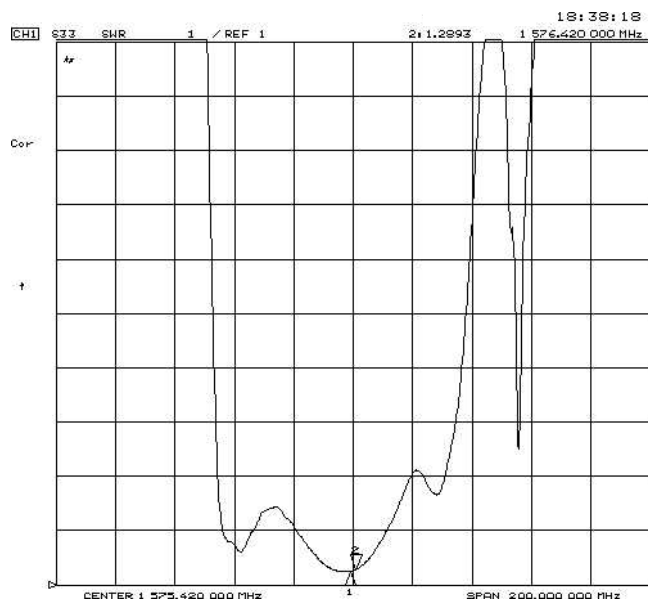


Reflections Functions :

S11 VSWR



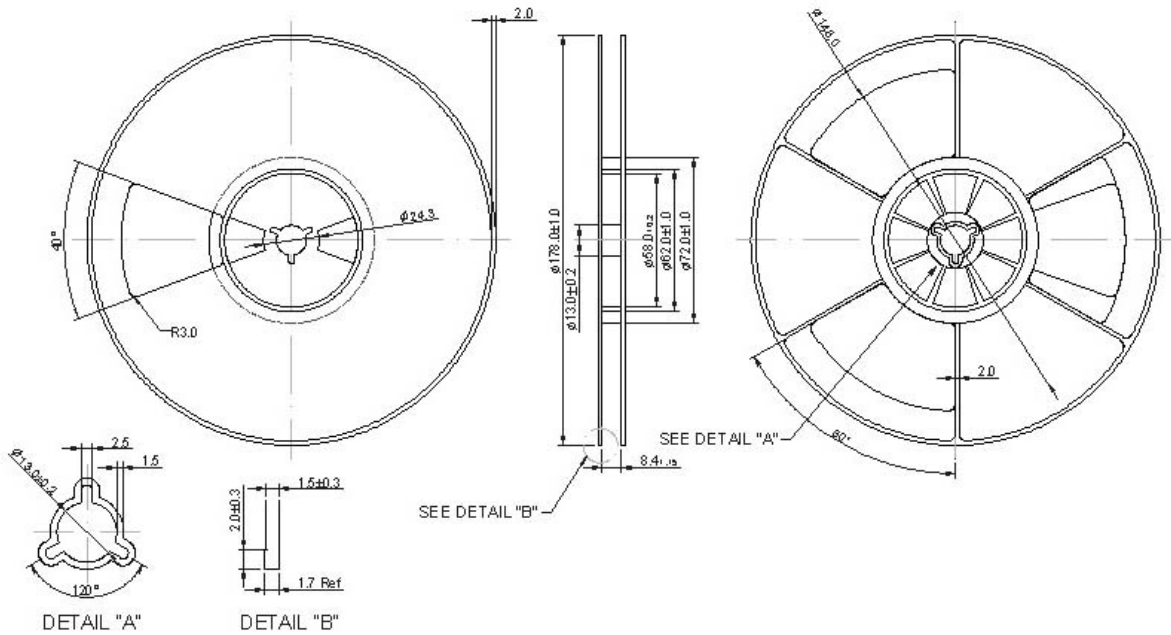
S22 VSWR



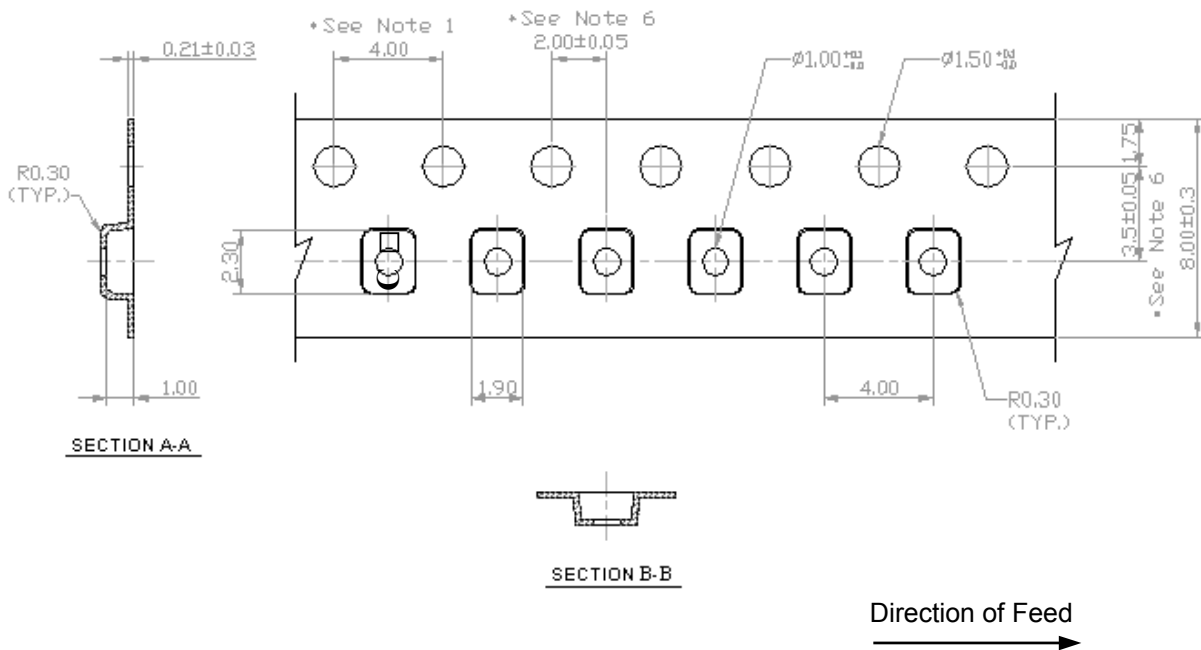
G. PACKING:

1. REEL DIMENSION

(Reel Count : 7"=2000 typ. ; 13"=10000 typ.)



2. TAPE DIMENSION



H. RECOMMENDED REFLOW PROFILE :

