

Metal Film Precision Melf Resistors

Metal-Film (MELF RJM) Resistors Offer More Design Options

▶ Preview

RJM professional thin film MELF resistors (Cylindrical Resistors) are the perfect choice for most fields of modern professional electronics where reliability and stability is of major concern.

RJM resistors combine the proven reliability of professional MELF products with a most advanced level of precision and stability first achieved with axial thin film high precision resistors.

This unique combination makes the product perfectly suited for all applications with outstanding requirements towards reliable precision and stability. The typical applications in the fields of telecommunication, automotive and medical equipment reflect the outstanding level of proven reliability.

RJM MELF equate Vishay, Ohmite, Caddock, IRC, EBG, KAO, Panasonic Precision Devices with more competitive price and fast delivery.

Contact us with your specific needs.

▶ Applications :

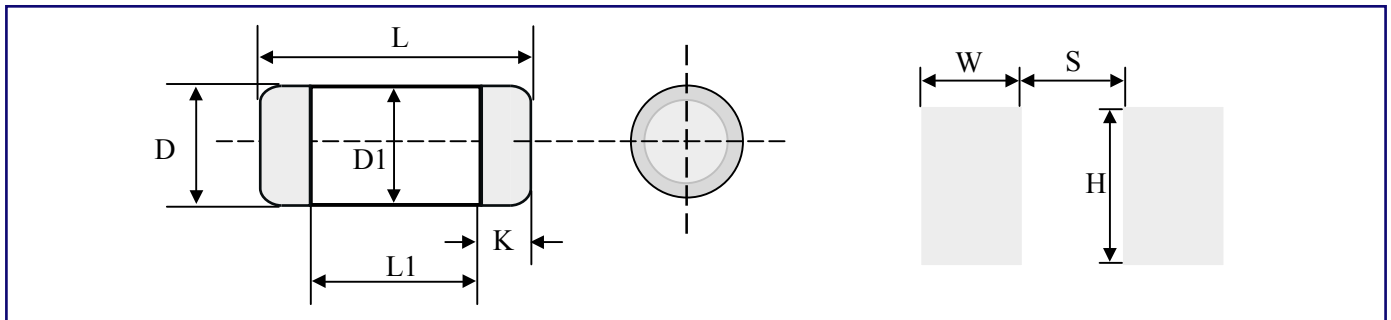
- Telecom.
- Medical electronics.
- Test and measurement.
- Space and aircraft electronics.
- Industrial process control systems.
- Measuring and calibration equipment.



▶ Features

- DIN: 0102, 0204, 0207, 0411.
- Pure Sn termination on Ni barrier layer.
- Very high ratio of performance to price.
- High precision tolerance down to $\pm 0.05\%$.
- Force fitted steel caps, tin plated on nickel barrier.
- Superior overall stability, most advanced thin film technology.
- TCR down to $\pm 5\text{ppm}/^\circ\text{C}$, wide resistance range: 0.1Ω to $22\text{M}\Omega$.
- compatible with lead (Pb)-free and lead containing soldering

► Dimensions & Recommended Soldering Bath Dimensions



Type	RJM72P	RJM73S	RJM73P	RJM74S	RJM74P	RJM16M	RJM17M	RJM18M
Metric type	DIN: 0102	DIN: 0204		DIN: 0207		DIN: 0411		
Dimension (mm)	L(±0.3)	2.2	3.5	5.7		6.0	8.7	11.8
	L1(±0.3)	1.0	1.6	2.9		3.3	4.9	8.1
	D(±0.3)	1.3	1.3	2.1		2.1	3.1	3.6
	K(±0.2)	0.4	0.8	1.3		1.3	1.8	1.8
	D1(±0.1)	D+0/D-0.15	D+0/D-0.25	D+0/D-0.5		D+0/D-0.5	D+0/D-0.5	D+0/D-0.5
Soldering bath (recommended) (mm)	S	1.0	1.6	2.6		2.8	5.6	8.2
	W	2.0	2.5	2.5		2.8	3.2	4.0
	H	2.0	2.5	2.5		2.8	3.8	4.5

► Characteristics

Type	RJM72P	RJM73S	RJM73P	RJM74S	RJM74P	RJM16M	RJM17M	RJM18M
Metric type	DIN: 0102	DIN: 0204		DIN: 0207		DIN: 0411		
Rated dissipation P_{70}	0.125W	0.125W	0.25W	0.25W	0.50W	1.0W	2.0W	3.0W
Resistance range (Ω)	10 ~ 1M	0.1 ~ 10M		0.1 ~ 22M		0.1 ~ 22M		
Resistance tolerance (%)	J (±5); F (±1); D (±0.5); C (±0.25); B (±0.10); A5 (±0.05)							
Temperature coefficient(ppm/°C)	C2 (±50); C3 (±25); C5 (±15); C6 (±10); C7 (±5)							
Climatic category(LCT/UCT/days)	55 / 125 / 56							
Operating voltage U_{max}	200V	200V	250V	250V	300V	350V	400V	450V
Temperature range	-55°C to 125°C							
Insulation voltage (V)	300	300	300	300	600	700	800	900
Insulation resistance	>1G Ω							

Notice: Resistance out of range, tolerance and temperature coefficient match are under request. RJM72 is still in trial production.

▶ How to Order

RJM74P

❶

10R

❷

D

❸

C6

❹

P

❺

❶ Product type: RJM72P, RJM73S, RJM73P, RJM74S, RJM74P, RJM16M, RJM17M, RJM18M

❷ Resistance Value :

Code	Resistance Value
0R1	0.1Ω
10R	10Ω
100R	100Ω
1K	1KΩ
10K	10KΩ
100K	100KΩ
1M	1MΩ
10M	10MΩ

❸ Resistance Tolerance (%)

Code	Resistance Tolerance
J	±5%
F	±1%
D	±0.5%
C	±0.25%
B	±0.10%
A5	±0.05%

❹ Temperature coefficient (ppm/°C)

Code	Temperature coefficient
C2	±50 ppm/°C
C3	±25 ppm/°C
C5	±15 ppm/°C
C6	±10 ppm/°C
C7	±5 ppm/°C

❺ Packaging

Code	Packaging
T	Taping Reel
P	Bulk

Back to 1st Page - Metal Film Precision Melf Resistors(RJM)