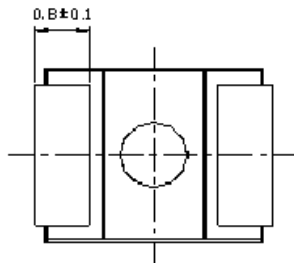
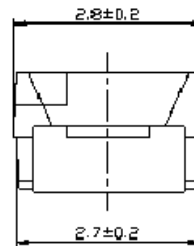
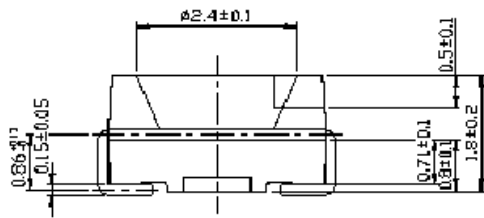
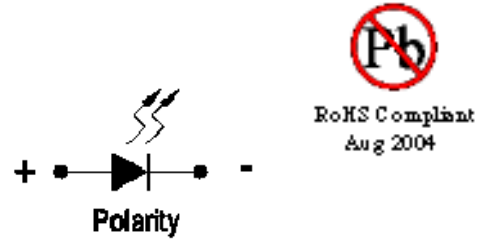
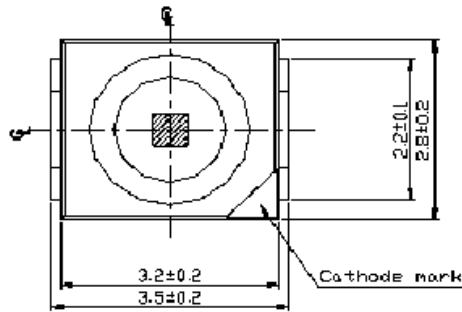


JYOC0678

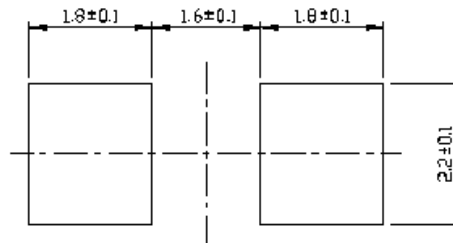
Page 1 of 2



These lamps are miniature chip type designed for surface mounting. Suggested uses include back-lighting and light pipe applications.



For reflow soldering (propose)



PART NO.	Chip		Lens Color
	Material	Emitted Color	
JYOC0678	AlGaInP	Yellow Green	Water Clear

* Specifications subject to change without notice. Dimensions are in mm±0.1 unless stated otherwise.

Absolute Maximum Ratings at $T_a = 25\text{ }^\circ\text{C}$

Parameter	Symbol	Rating	Units
Forward Current	I_F	25	mA
Operating Temperature	T_{opr}	-40 to +85	$^\circ\text{C}$
Storage Temperature	T_{stg}	-40 to +100	$^\circ\text{C}$
Soldering Temperature	T_{sol}	260 (for 5 seconds)	$^\circ\text{C}$
Electrostatic Discharge	ESD	2000	V
Power Dissipation	P_d	60	mW
Peak Forward Current (Duty 1/10 @ 1KHz)	I_F (Peak)	60	mA
Reverse Voltage	V_R	5	V

Electronic Optical CharacElectronic Optical Characteristics

Parameter	Symbol	Min.	Typ.	Max.	Units	Condition	
Luminous Intensity	I_V	JYOC0678	40	55	—	mcd	$I_F = 20\text{ mA}$
		JYOC0678-3	50	85			
		JYOC0678-4	63	106			
		JYOC0678-5	80	133			
		JYOC0678-6	100	177			
		JYOC0678-7	125	215			
		JYOC0678-8	140	251			
Viewing Angle	$2\theta_{1/2}$	—	120	—	deg	$I_F = 20\text{ mA}$	
Peak Wavelength	λ_p	—	611	—	nm	$I_F = 20\text{ mA}$	
Dominant Wavelength	λ_d	—	605	—	nm	$I_F = 20\text{ mA}$	
Spectrum Radiation Bandwidth	$\Delta\lambda$	—	17	—	nm	$I_F = 20\text{ mA}$	
Forward Voltage	V_F	—	2.0	2.4	V	$I_F = 20\text{ mA}$	
Reverse Current	I_R	—	—	10	μA	$V_R = 5\text{ V}$	

* Specifications subject to change without notice. Dimensions are in mm±0.1 unless stated otherwise.