

SMD RJ-45 Filter Port Jacks with 10/100Base-TX

EPJ9137S

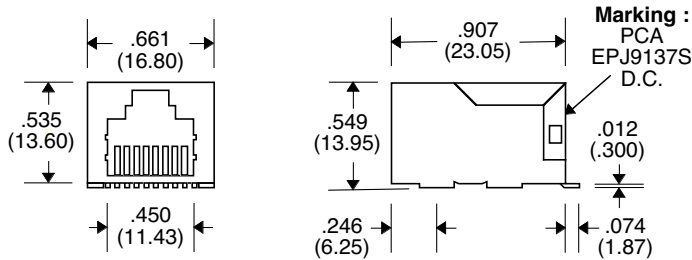
- Surface Mount Package
- Space Saving RJ-45 Connectors
- Complete Bob Smith Termination Included
- UL94V-0 Rated High Temp. Thermoplastic Housing

Electrical Parameters @ 25° C

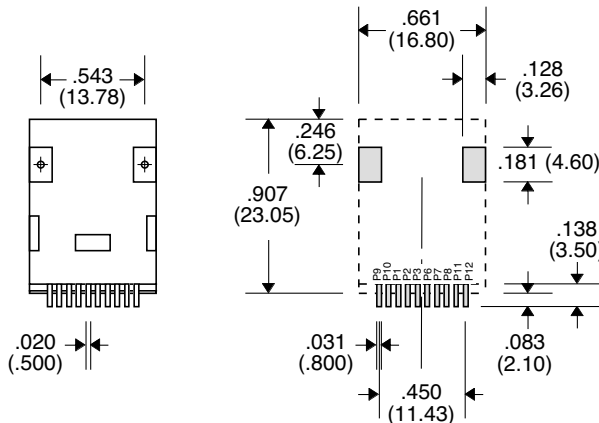
Turns Ratio (± 5%)	OCL (μ H Min.)	Insertion Loss (dB Max.)	Return Loss (dB Min.)			CMRR (dB Min.)	CMD (dB Min.)	Crosstalk (dB Typ.)			
			1-10 MHz	30-60 MHz	60-80 MHz			@ 5 MHz	@ 30 MHz	@ 60 MHz	@ 100 MHz
Xmit/Rcv	8 mA DC Bias										
1:1/1:1	350	-1.0	-18	-18	-12	-30	-40	-70	-45	-40	-35

• Chip Side Leakage Inductance : 0.6 μ H Max. @ 1 MHz • Pri. to Sec. Capacitance : 30 pF Max. @ 1 MHz • Isolation : 1500 Vrms •

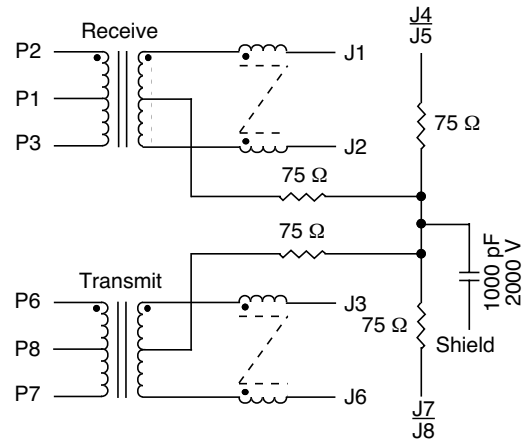
Package



Recommended PCB Layout (Top View)



Schematic



Unless Otherwise Specified Dimensions are in Inches /mm ± .010 /.25