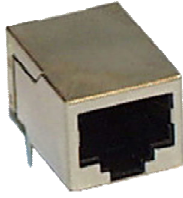


EPJ9041M



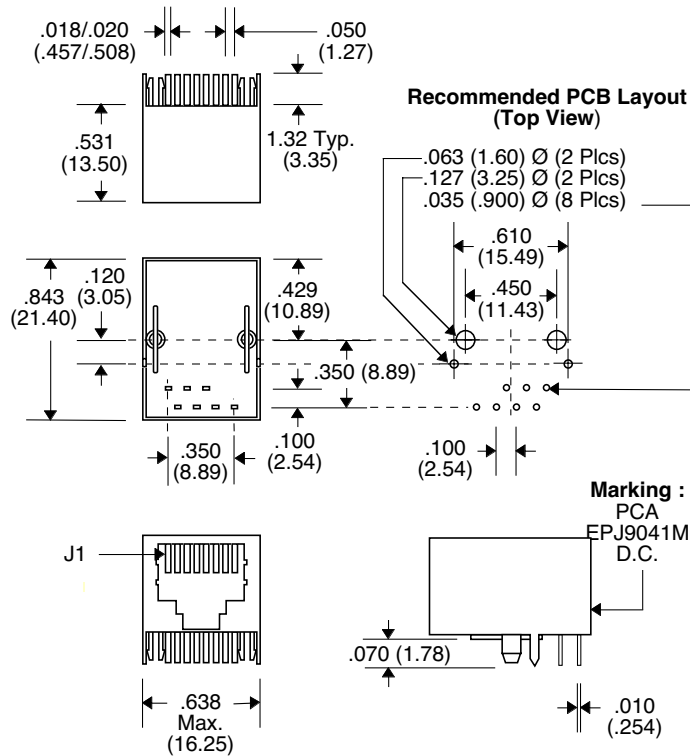
- UL94V-0 Rated Connector Housing
- Space saving RJ-45 Connectors
- Includes Common Mode Chokes
- Contact Plating : 15 μ Inch Gold Flashed
- Complete Bob Smith Termination included

Electrical Parameters @ 25° C

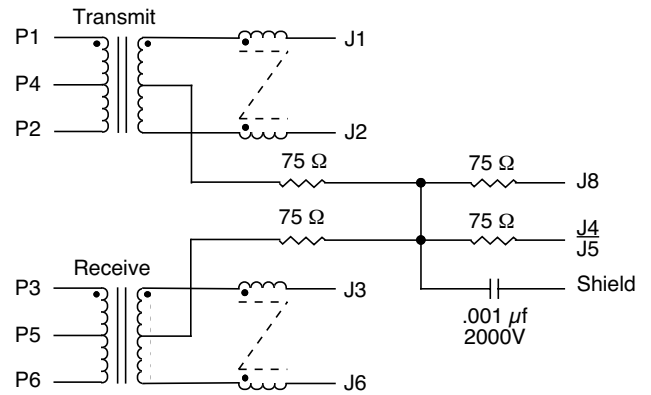
Turns Ratio ($\pm 5\%$)	OCL (μ H Min.)	Insertion Loss (dB Max.)		Return Loss (dB Min.)		CMRR (dB Min.)		Crosstalk (dB Min.)
		1-80 Mhz	100 Mhz	1-30 Mhz	60-80 Mhz	1-100 Mhz	200 Mhz	
1:1.41 / 1:1	350	-1.5	-2.5	-20	-12	-30	-20	-35

• Isolation : 1500 Vrms • Cable Side Impedance : 100 Ω •

Package



Schematic



Unless Otherwise Specified Dimensions are in Inches /mm $\pm .010 / .25$