



## Filters for Communication Lines

### Filter Boxes

**Series/Type:**      **B84299G**

Date: January 2004

© EPCOS AG 2004. Reproduction, publication and dissemination of this data sheet, enclosures hereto and the information contained therein without EPCOS' prior express consent is prohibited.

Purchase orders are subject to the General Conditions for the Supply of Products and Services of the Electrical and Electronics Industry recommended by the ZVEI (German Electrical and Electronic Manufacturers' Association), unless otherwise agreed.

**Filter boxes**
**Models**

- Filter boxes for max. 52 communication line filters with 1 pair or 2 lines
- Filter boxes for max. 12 communication line filters with 10 pair or 20 lines

**Features**

The box is suitable for a mixed complement. A cable that simultaneously carries switching signals, communication signals and DC power, for example, can be split to separate filters for optimum signal transmission plus high stopband attenuation.

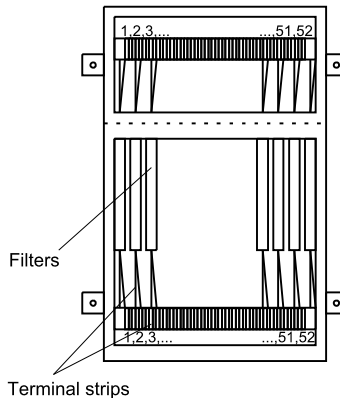
Only one RF-tight connection is needed on the shielding wall. The split cables are protected by the box.

**Overview**

Model	Slots	Number of pairs / lines	Ordering code	Page
1 pair or 2 lines	26	26 / 52	B84299G0126A...	110
	52	52 / 104	B84299G0152A...	111
10 pairs or 20 lines	6	60 / 120	B84299G0114A...	114
	12	120 / 240	B84299G0114B...	115

**Filter boxes**
**Filter boxes for communication line filters  
with 1 pair or 2 lines**
**Design**

- Material: 1.5 mm sheet steel
- RF-tight, welded-in shielding wall of high-grade steel
- Both parts of filter box accessible through separate lids



SGR0205-S-E

The shielding wall has 26 or 52 holes for screwing in the filters. Unused holes are sealed off by RF-tight screw plugs, which can be removed for later filter additions.

On each side of the box there are terminal strips for attaching the filter lines, and 3 cable inlets with the thread size of PG 29. Matching cable glands can be screwed in here using reducer rings if necessary.

Ex works the filter box comes with 2 glands of size PG 29 for cable diameters of 23 to 28 mm. At the front end the filter box can be connected to the shielding wall with maximally 3 connector fittings with nominal width of 25 mm.

Other cable inlets are available upon request.

**Filter boxes**

**26 slots = 26 pairs / 52 lines**

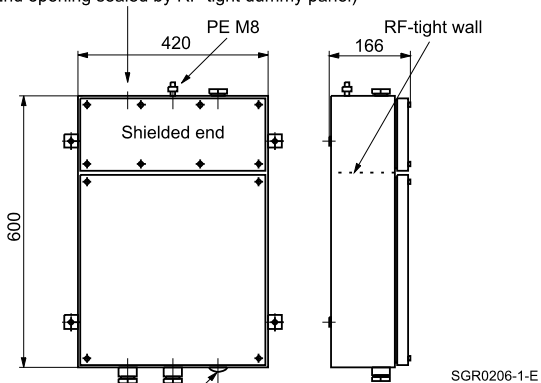
**Ordering code: B84299G0126A...**

(the ordering code will be completed by the producer)

**Dimensional drawing**

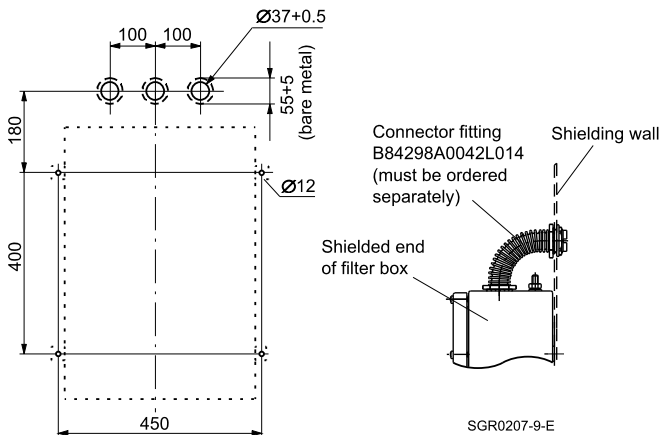
Connecting to shielding wall with max. 3 connector fittings B84298A0042L\*\*\*  
(must be ordered separately)

(2nd opening sealed by RF-tight dummy panel)



Cable inlet end with 3 holes PG 29,  
fitted with the 2 cable glands PG 29 and 1 dummy panel

**Fixing dimensions** for use of connector fitting B84298A0042L014



Filter boxes

52 slots = 52 pairs / 104 lines

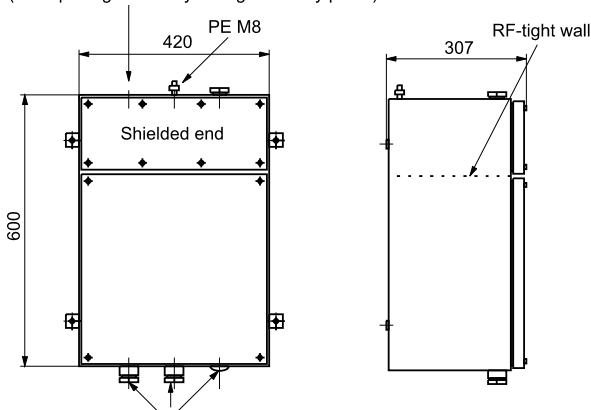
Ordering code: B84299G0152A...

(the ordering code will be completed by the producer)

Dimensional drawing

Connecting to shielding wall with max. 3 connector fittings B84298A0042L\*\*\*  
(must be ordered separately)

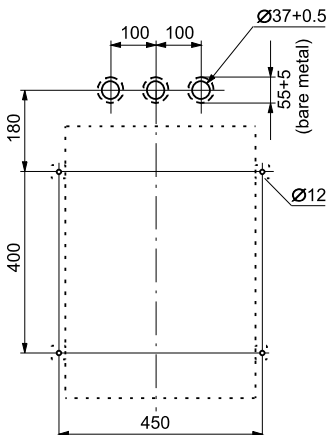
(2nd opening sealed by RF-tight dummy panel)



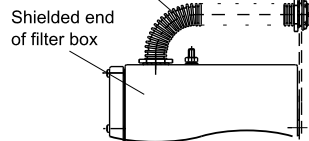
Cable inlet end with 3 holes PG 29,  
fitted with the 2 cable glands PG 29 and 1 dummy panel

SGR0208-H-E

Fixing dimensions for use of connector fitting B84298A0042L028



Connector fitting  
B84298A0042L028  
(must be ordered separately)



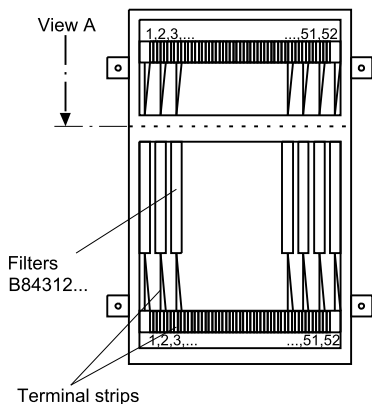
SGR0209-Q-E

Filter boxes

Interior view of filter box with 26 slots

(Example)

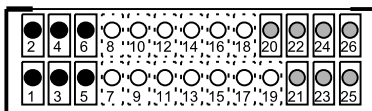
Plan view (without lids)



View A

Complement of filter box  
(view of shielded wall)

Lid side



● Fi1...Fi6: 6 filters B84312C0090B104  
for communication lines 0...3.4 kHz

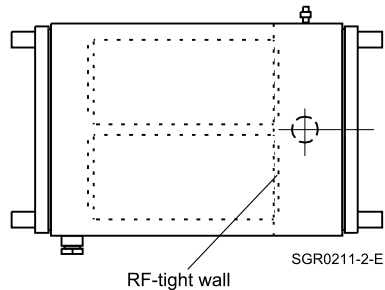
○ not used

◐ Fi20...Fi26: 7 filters B84312C0100B103  
for control lines (Control switches, ...)

SGR0210-T-E

**Filter boxes for communication line filters  
with 10 pairs or 20 lines**
**Design**

- Material: 1.5 mm sheet steel
- RF-tight, welded-in shielding wall of high-grade steel
- Both parts of filter box accessible through separate lids.



The shielding wall has 6 or 12 rectangular cutouts for screwing in the filters. Unused cutouts are sealed off by RF-tight dummy panels, which can be removed for later filter additions.

On each side of the box there are terminal strips for attaching the filter lines, and 4 cable inlets with the thread size of PG 29. Matching cable glands can be screwed in here using reducer rings if necessary.

Ex works the filter box comes with 4 glands of size PG 29, PG 29/PG 21 reducer rings and PG 21 cable glands.

On the rear the filter box can be connected direct and RF-tight to the shielding wall.

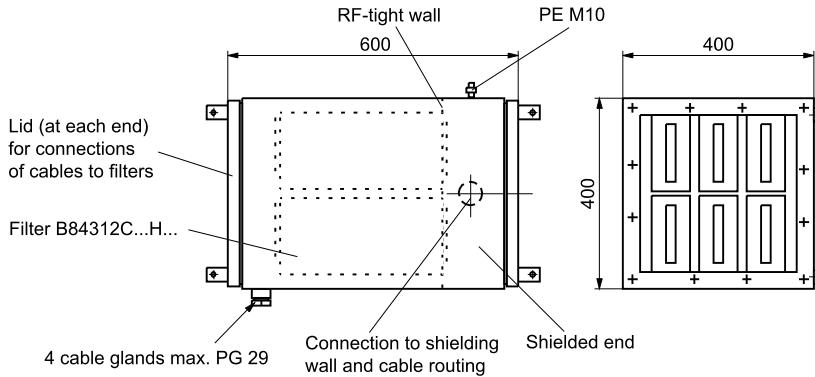
**Filter boxes**

**6 slots = 60 pairs / 120 lines**

**Ordering code: B84299G0114A...**

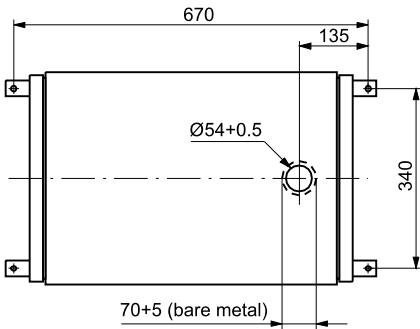
(the ordering code will be completed by the producer)

**Dimensional drawing**



SGR0212-A-E

**Fixing dimensions**



SGR0213-I-E



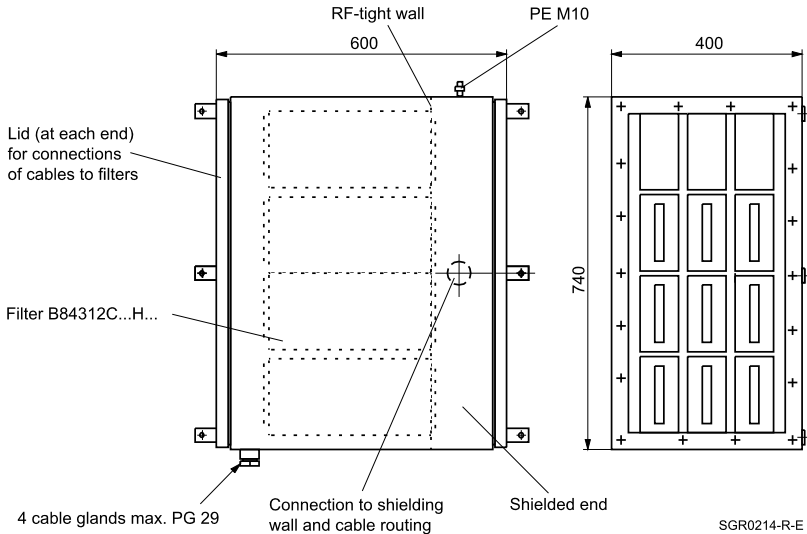
Filter boxes

12 slots = 120 pairs / 240 lines

Ordering code: B84299G0114B...

(the ordering code will be completed by the producer)

Dimensional drawing



Fixing dimensions

