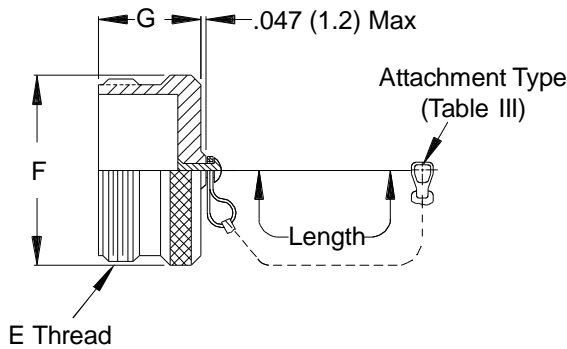
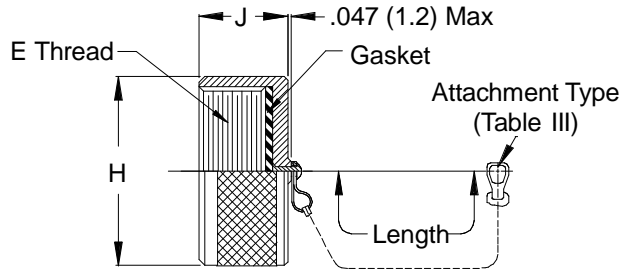


MIL-C-5015



660-004 Plug Cover



660-005 Receptacle Cover

TABLE X: SHELL SIZE DIMENSIONS

| Shell Size | E Thread        | F Max        | G Max       | H Max        | J Max       |
|------------|-----------------|--------------|-------------|--------------|-------------|
| 08         | 1/2 - 28 UNEF   | .562 (14.3)  | .656 (16.7) | .688 (17.5)  | .465 (11.8) |
| 10         | 5/8 - 24 UNEF   | .687 (17.4)  | .656 (16.7) | .815 (20.7)  | .465 (11.8) |
| 12         | 3/4 - 20 UNEF   | .812 (20.6)  | .844 (21.4) | 1.000 (25.4) | .465 (11.8) |
| 14         | 7/8 - 20 UNEF   | .937 (23.8)  | .844 (21.4) | 1.125 (28.6) | .465 (11.8) |
| 16         | 1 - 20 UNEF     | 1.062 (27.0) | .844 (21.4) | 1.188 (30.2) | .465 (11.8) |
| 18         | 1 1/8 - 18 UNEF | 1.187 (30.1) | .844 (21.4) | 1.344 (34.1) | .465 (11.8) |
| 20         | 1 1/4 - 18 UNEF | 1.312 (33.3) | .844 (21.4) | 1.469 (37.3) | .465 (11.8) |
| 22         | 1 3/8 - 18 UNEF | 1.437 (36.5) | .844 (21.4) | 1.594 (40.5) | .465 (11.8) |
| 24         | 1 1/2 - 18 UNEF | 1.562 (39.7) | .844 (21.4) | 1.719 (43.7) | .465 (11.8) |
| 28         | 1 3/4 - 18 UNS  | 1.812 (46.0) | .844 (21.4) | 1.969 (50.0) | .531 (13.5) |
| 32         | 2 - 18 UNS      | 2.062 (52.4) | .844 (21.4) | 2.219 (56.4) | .531 (13.5) |
| 36         | 2 1/4 - 16 UN   | 2.312 (58.7) | .844 (21.4) | 2.469 (62.7) | .531 (13.5) |
| 40         | 2 1/2 - 16 UN   | 2.562 (65.1) | .844 (21.4) | 2.719 (69.1) | .531 (13.5) |
| 44         | 2 3/4 - 16 UN   | 2.812 (71.4) | .844 (21.4) | 2.969 (75.4) | .531 (13.5) |
| 48         | 3 - 16 UN       | 3.062 (77.8) | .844 (21.4) | 3.188 (81.0) | .531 (13.5) |

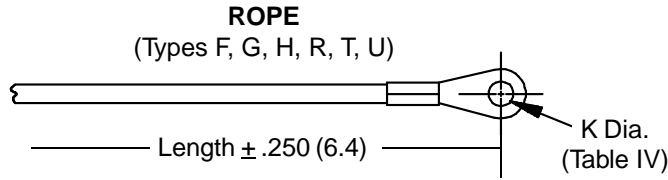
See inside back cover fold-out or page 14 for Table II.

Metric dimensions (mm) are indicated in parentheses.

**660-004 (Plug) - 660-005 (Receptacle)  
Protective Covers  
MIL-C-5015**



**66 & 78**



**TABLE III: ATTACHMENT**

| Sym | Attachment Type                              |
|-----|--|
| D   | Bead Chain, Cres., Passivate                 |
| F   | Wire Rope, Nylon Jacket                      |
| G   | Nylon Rope                                   |
| H   | Wire Rope, Teflon Jacket                     |
| N   | No Attachment                                |
| R   | Wire Rope, PVC Jacket                        |
| S   | #8 Sash Chain, Cres., Passivate              |
| T   | Wire Rope, No Jacket                         |
| U   | Wire Rope, Polyurethane Jacket with Terminal |

**TABLE IV: EYELET**

| Dash No. | K DIA ±.010 (0.3) |
|----------|-------------------|
| 01       | .140 (3.6)        |
| 02       | .182 (4.6)        |
| 03       | .191 (4.9)        |
| 04       | .197 (5.0)        |
| 05       | .167 (4.2)        |
| 06       | .125 (3.2)        |
| 07       | .218 (5.5)        |
| 09       | .156 (4.0)        |
| 00       | No Eyelet         |



**TABLE V: SPLIT RING STYLE C**

| Dash No. | L Dia. ±.015 (0.4) | Dash No. | L Dia. ±.015 (0.4) |
|----------|--------------------|----------|--------------------|
| 50       | .425 (10.8)        | 74       | 1.625 (41.3)       |
| 52       | .485 (12.3)        | 76       | 1.750 (44.5)       |
| 54       | .640 (16.3)        | 78       | 1.875 (47.6)       |
| 56       | .750 (19.1)        | 80       | 1.980 (50.3)       |
| 58       | .890 (22.6)        | 82       | 2.060 (52.3)       |
| 60       | 1.015 (25.8)       | 84       | 2.235 (56.8)       |
| 62       | 1.095 (27.8)       | 86       | 2.310 (58.7)       |
| 64       | 1.130 (28.7)       | 88       | 2.475 (62.9)       |
| 66       | 1.250 (31.8)       | 90       | 2.655 (67.4)       |
| 68       | 1.350 (34.3)       | 92       | 2.810 (71.4)       |
| 70       | 1.390 (35.3)       | 94       | 3.045 (77.3)       |
| 72       | 1.485 (37.7)       |          |                    |

**TABLE VI: SOLID RING STYLE B**

| Dash No. | M Dia. ±.015 (0.4) | Dash No. | M Dia. ±.015 (0.4) |
|----------|--------------------|----------|--------------------|
| 08       | .468 (11.9)        | 24       | 1.484 (37.7)       |
| 10       | .593 (15.1)        | 25       | 1.577 (40.1)       |
| 12       | .718 (18.2)        | 27       | 1.640 (41.7)       |
| 13       | .765 (19.4)        | 28       | 1.687 (42.8)       |
| 14       | .844 (21.4)        | 29       | 1.765 (44.8)       |
| 15       | .890 (22.6)        | 30       | 1.890 (48.0)       |
| 16       | .968 (24.6)        | 31       | 1.953 (49.6)       |
| 17       | 1.015 (25.8)       | 32       | 1.968 (50.0)       |
| 18       | 1.093 (27.8)       | 33       | 2.077 (52.8)       |
| 19       | 1.140 (29.0)       | 35       | 2.140 (54.4)       |
| 20       | 1.203 (30.6)       | 36       | 2.187 (55.5)       |
| 21       | 1.265 (32.1)       | 40       | 2.406 (61.1)       |
| 22       | 1.343 (34.1)       | 44       | 2.656 (67.5)       |
| 23       | 1.453 (36.9)       | 48       | 3.031 (77.0)       |
|          |                    | 118      | .310 (7.9)         |

**TABLE VII: SOLID RING STYLE A**

| Dash No. | N Dia. ±.015 (0.4) | Dash No. | N Dia. ±.015 (0.4) |
|----------|--------------------|----------|--------------------|
| 095      | .312 (7.9)         | 109      | 1.266 (32.2)       |
| 100      | .391 (9.9)         | 209      | 1.312 (33.3)       |
| 101      | .516 (13.1)        | 110      | 1.391 (35.3)       |
| 102      | .583 (14.8)        | 210      | 1.438 (36.5)       |
| 103      | .641 (16.3)        | 111      | 1.521 (38.6)       |
| 104      | .708 (18.0)        | 211      | 1.536 (39.0)       |
| 105      | .766 (19.5)        | 112      | 1.641 (41.7)       |
| 205      | .788 (20.0)        | 113      | 1.766 (44.9)       |
| 106      | .896 (22.2)        | 213      | 1.812 (46.0)       |
| 206      | .907 (23.0)        | 114      | 1.891 (48.0)       |
| 107      | 1.016 (25.8)       | 214      | 1.938 (49.2)       |
| 207      | 1.025 (26.0)       | 115      | 2.078 (52.8)       |
| 108      | 1.141 (29.0)       | 116      | 2.406 (61.1)       |
| 308      | 1.188 (30.2)       | 117      | 2.510 (63.8)       |
| 208      | 1.203 (30.6)       |          |                    |