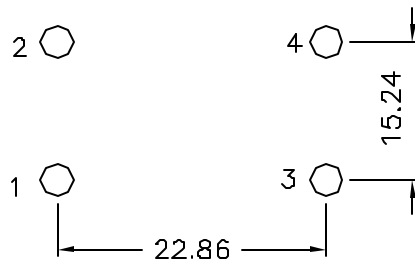
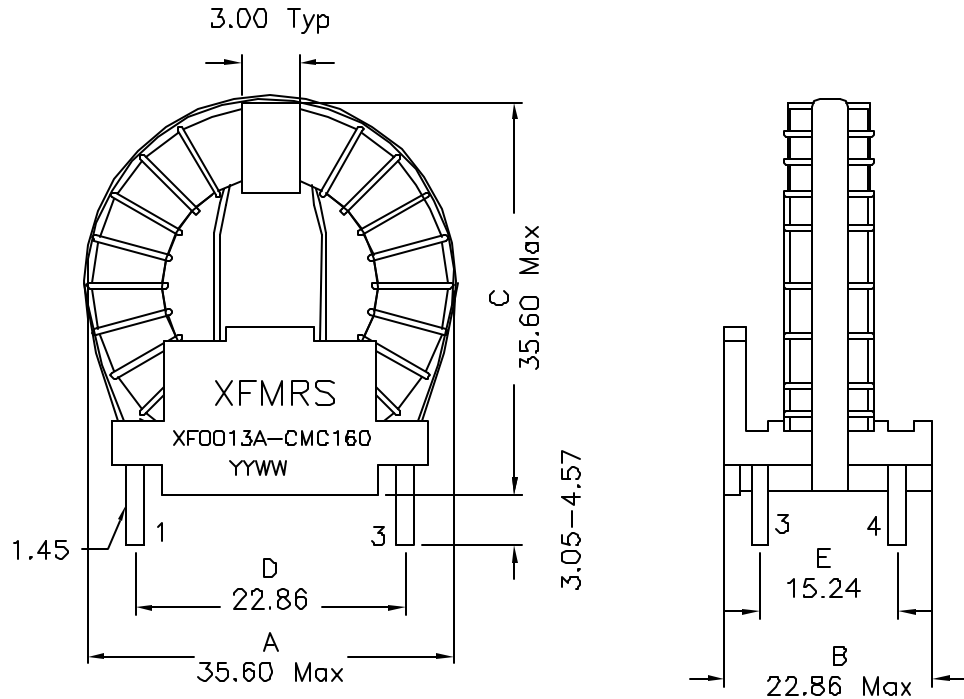


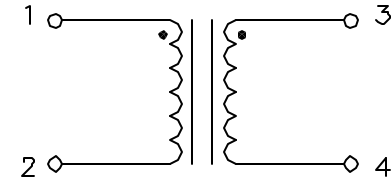
1. Mechanical Dimensions:



SUGGESTED FOOTPRINT

DOC REV: A/3

2. Schematic:



3. Electrical Specifications:

OCL: 1.0mH Min @1KHz 0.1V, Each Wdg
 LL: Pins 1-2 16uH Typ @100KHz 0.1V,
 Short all else
 DCR: 0.005 Ohms Max, Each Wdg
 Rated Current: 20Arms
 HIPOT: 1500Vac, Wdg to Wdg

Notes:

1. Solderability: Leads shall meet MIL-STD-202G, Method 208H for solderability.
2. Flammability: UL94V-D
3. ASTM oxygen index: > 28%
4. Insulation System: Class F 155°C. UL file E151556
5. Operating Temperature Range: All listed parameters are to be within tolerance from -40°C to +85°C
6. Storage Temperature Range: -55°C to +125°C
7. Aqueous wash compatible
8. Electrical and mechanical specifications 100% tested
9. RoHS Compliant Component

XFMRS Inc www.XFMRS.com	Title: Common Mode Choke		
	UNLESS OTHERWISE SPECIFIED	P/N: XFO013A-CMC160	REV. A
TOLERANCES: .xx ±0.20 Dimensions in mm	DWN.	刘 鹏	Jul-09-07
	CHK.	李小锋	Jul-09-07
SHEET 1 OF 1	APP.	MS	Jul-09-07