

# PPC-100

## 5x86-133 Panel PC with 10.4" TFT LCD Display



### Features

- 10.4" VGA/SVGA TFT LCD with high luminance
- Super slim and compact design with plastic housing
- Supports 5x86 - 133 CPU
- NEMA4/IP65 compliant front panel

### Introduction

The PPC-100 panel PC is a super slim PC for space critical applications. The PPC-100 provides all the functionality of a desktop PC with a high brightness 10.4", 640 x 480 or 800 x 600 color TFT LCD display. The PPC-100 can be installed with a panel mount, wallmount, swing arm or stand.

### Specifications

- **Construction** Plastic
- **Display** 10.4" VGA/SVGA TFT LCD
- **CPU / Core Logic** 5x86-133
- **Memory** One 72-pin SIMM socket, up to 32 MB
- **Storage** One EIDE interface for 2.5" HDD, 1.2/1.44/2.88 MB external FDD interface, Built-in 512 KB Flash memory (optional)
- **I/O** 4 serial ports (one configurable to RS-232/422/485), 1 parallel port, 1 Ethernet port (10Base-T/NE2000 compatible), 2 PS/2 ports, 1 VGA port, 4 digital inputs, 4 digital outputs.
- **Watchdog timer** 1.6 seconds interval
- **Cooling system** One 16 CFM fan on rear panel
- **Power Input** 110~230 V<sub>AC</sub>
- **Dimensions (W x H x D)** 342 x 265 x 61.5 mm (13.5" x 10.4" x 2.4")
- **Weight** 2.7 kg (5.9 lbs)

#### LCD Display

- **LCD Type** PPC-100T 10.4" color TFT
- **Resolution/Color** 640 x 480 @ 256 K
- **Pixel Pitch (HxV)** 0.33 x 0.33 mm
- **Viewing Angle** 90°
- **Luminance** 250 cd/m<sup>2</sup>
- **VR Control** N/A
- **Simultaneous Mode** Yes
- **Backlight MTBF** 20,000 hrs

#### Power Supply

- **Output Rating** 50 W (max.)
- **Input Voltage** 90 ~ 240 V<sub>AC</sub> @ 50/60 Hz, autoranging
- **Output Voltage** +5 V @ 4.5 A, +12 V @ 2 A, -12 V @ 0.3 A
- **MTBF** 50,000 hrs
- **Safety** UL/CSA/TÜV approved

#### Touchscreen (optional)

- **Type** Analog resistive, continuous resolution
- **Light Transmission** 75 %
- **Controller** RS-232 interface
- **Software Driver** Supports both DOS and Windows
- **Lifetime** 30 million touches

#### Environmental Specifications

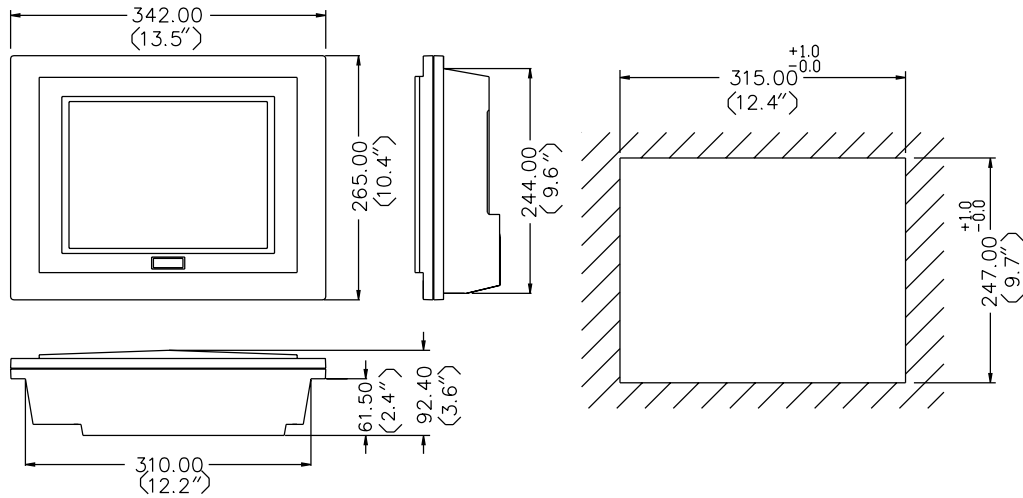
- **Operating Temperature** 32 ~ 113° F (0 ~ 45° C)
- **Relative Humidity** 10 ~ 95% @ 40° C, non-condensing
- **Shock (Operating)** 10 G peak acceleration (11 ms duration)
- **EMI** FCC Class B approved
- **CE approved**
- **Front panel meets NEMA 4 / IP 65**

### Ordering Information

- **PPC-100T-BARE** Panel PC with 10.4" VGA TFT LCD display
- **PPC-100T-BARE-T** Panel PC with 10.4" VGA TFT LCD display and resistive touchscreen

**Dimensions**

Unit: mm



**Optional Peripherals**

- **PPC-100 STAND** Stand kit for the PPC-100/102 series
- **PPC-100 SWINARM** Swing arm kit for the PPC-100/102 series
- **PPC-100 WALL-MT** Wall mount kit for the PPC-100/102 series
- **PPC-EXP-100** Expansion kit for two 2 layer ISA slots



Wall mount



Desktop stand



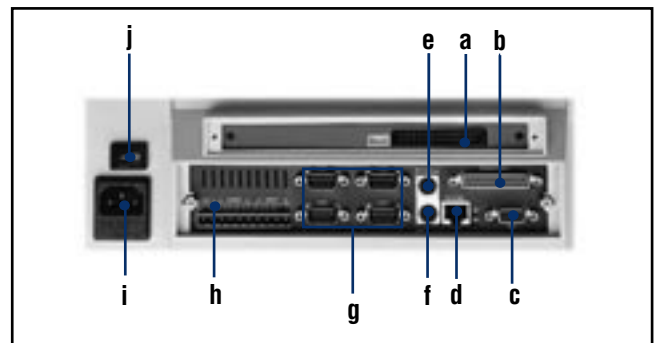
Desktop swingarm



Expansion kit

**Complete I/O Ports**

- **FDD** Supports 1.2/1.44/2.88 MB external floppy disk drive
- **Ethernet** NE2000 compatible, 10Base-T interface
- **Serial Ports** RS-232 x 3, RS-232/422/485 x 1 (16C550 UART)
- **Parallel Port** One SPP/EPP/ECP port
- **Keyboard Port** PS/2 interface
- **Mouse Port** PS/2 interface
- **VGA** Supports simultaneous CRT displays



- a. FDD port
- b. Parallel port
- c. VGA port
- d. Ethernet port
- e. PS/2 mouse connector
- f. Keyboard connector
- g. 4 COM ports
- h. 4 digital input/ 4 digital output
- i. AC inlet
- j. Power switch

1 PPC & AWS  
 2 TPC  
 3 FPM  
 4 ATM  
 5 DA&C  
 6 cPCI  
 7 ADAM-3000  
 8 eConnectivity  
 9 ICOM  
 10 Software  
 11 UNO-2000/3000  
 12 VBOX  
 13 ADAM-4000  
 14 ADAM-5000  
 15 ADAM-6000  
 16 ADAM-8000