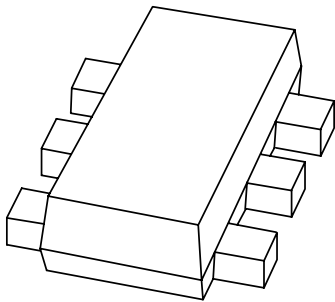


DATA SHEET



PBSS4240V

40 V low V_{CEsat} NPN transistor

40 V low V_{CEsat} NPN transistor

PBSS4240V

FEATURES

- Low collector-emitter saturation voltage V_{CEsat}
- High collector current capability I_C and I_{CM}
- High collector current gain (h_{FE}) at high I_C
- High efficiency leading to reduced heat generation
- Reduced printed-circuit board area requirements.

APPLICATIONS

- Power management:
 - DC-DC converter
 - Supply line switching
 - Battery charger
 - LCD back lighting.
- Peripheral driver:
 - Driver in low supply voltage applications (e.g. lamps and LEDs)
 - Inductive load drivers (e.g. relay, buzzers and motors).

DESCRIPTION

NPN transistor providing low V_{CEsat} and high current capability in a SOT666 plastic package.
 PNP complement: PBSS5240V.

MARKING

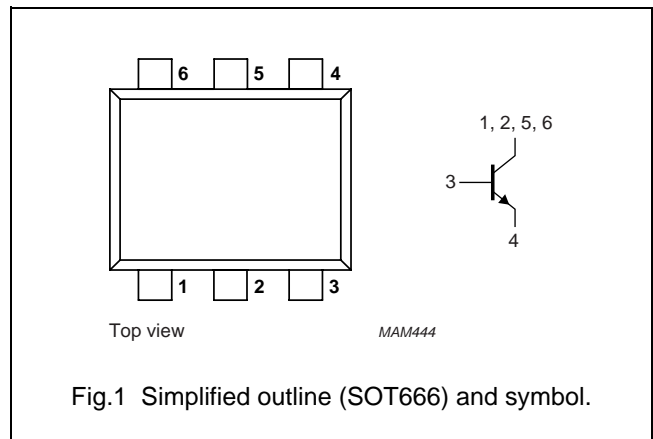
TYPE NUMBER	MARKING CODE
PBSS4240V	42

QUICK REFERENCE DATA

SYMBOL	PARAMETER	MAX.	UNIT
V_{CEO}	collector-emitter voltage	40	V
I_C	collector current (DC)	2	A
I_{CRP}	peak collector current	2	A
R_{CEsat}	equivalent on-resistance	<190	m Ω

PINNING

PIN	DESCRIPTION
1	collector
2	collector
3	base
4	emitter
5	collector
6	collector



40 V low V_{CEsat} NPN transistor

PBSS4240V

LIMITING VALUES

In accordance with the Absolute Maximum Rating System (IEC 60134).

SYMBOL	PARAMETER	CONDITIONS	MIN.	MAX.	UNIT
V_{CBO}	collector-base voltage	open emitter	–	40	V
V_{CEO}	collector-emitter voltage	open base	–	40	V
V_{EBO}	emitter-base voltage	open collector	–	5	V
I_C	collector current (DC)	note 1	–	2	A
I_{CRP}	repetitive peak collector current	note 2	–	2	A
I_{CM}	peak collector current		–	3	A
I_B	base current (DC)		–	300	mA
I_{BM}	peak base current		–	1	A
P_{tot}	total power dissipation	$T_{amb} \leq 25\text{ °C}$; note 3	–	300	mW
		$T_{amb} \leq 25\text{ °C}$; note 4	–	500	mW
		$T_{amb} \leq 25\text{ °C}$; note 1	–	900	mW
		$T_{amb} \leq 25\text{ °C}$; notes 2 and 3	–	1.2	W
T_{stg}	storage temperature		–65	+150	°C
T_j	junction temperature		–	150	°C
T_{amb}	operating ambient temperature		–65	+150	°C

Notes

1. Device mounted on a ceramic circuit board, Al_2O_3 , standard footprint.
2. Operated under pulsed conditions: duty cycle $\delta \leq 20\%$, pulse width $t_p \leq 30\text{ ms}$.
3. Device mounted on a printed-circuit board, single-sided copper, tinplated, standard footprint.
4. Device mounted on a printed-circuit board, single-sided copper, tinplated, mounting pad for collector 1 cm^2 .

THERMAL CHARACTERISTICS

SYMBOL	PARAMETER	CONDITIONS	VALUE	UNIT
$R_{th\ j-a}$	thermal resistance from junction to ambient	note 1	410	K/W
		note 2	215	K/W
		note 3	140	K/W
		notes 1 and 4	110	K/W

Notes

1. Device mounted on a printed-circuit board, single-sided copper, tinplated, standard footprint.
2. Device mounted on a printed-circuit board, single-sided copper, tinplated, mounting pad for collector 1 cm^2 .
3. Device mounted on a ceramic circuit board, Al_2O_3 , standard footprint.
4. Operated under pulsed conditions: duty cycle $\delta \leq 20\%$, pulse width $t_p \leq 30\text{ ms}$.

Soldering

The only recommended soldering method is reflow soldering.

40 V low V_{CEsat} NPN transistor

PBSS4240V

CHARACTERISTICS

$T_{amb} = 25\text{ °C}$ unless otherwise specified.

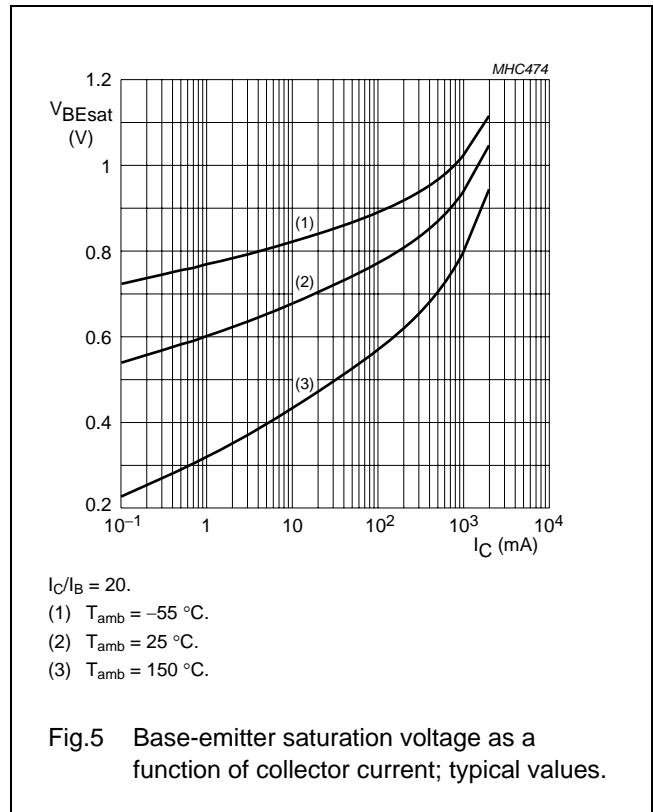
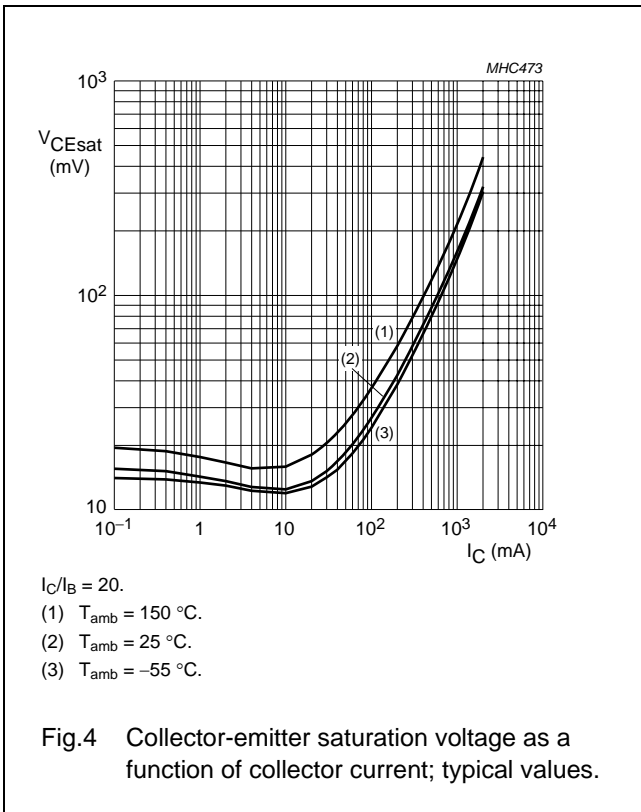
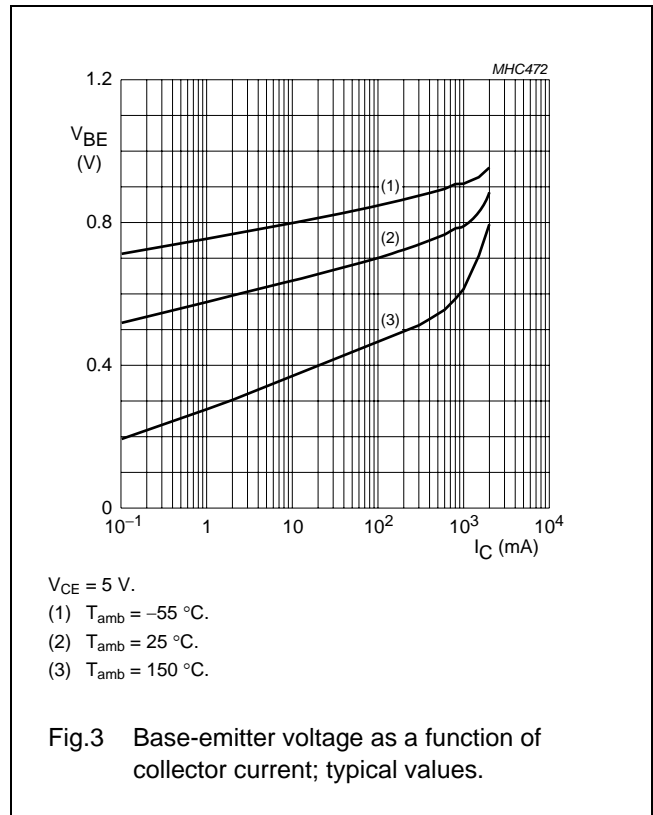
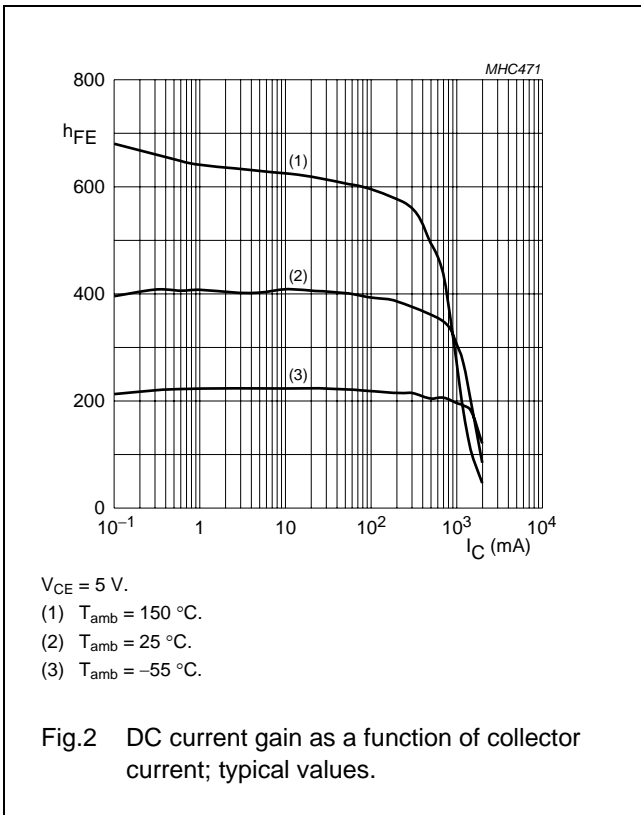
SYMBOL	PARAMETER	CONDITIONS	MIN.	TYP.	MAX.	UNIT
I_{CBO}	collector-base cut-off current	$V_{CB} = 40\text{ V}; I_E = 0$	–	–	100	nA
		$V_{CB} = 40\text{ V}; I_E = 0; T_{amb} = 150\text{ °C}$	–	–	50	μA
I_{CEO}	collector-emitter cut-off current	$V_{CE} = 30\text{ V}; I_B = 0$	–	–	100	nA
I_{EBO}	emitter-base cut-off current	$V_{EB} = 5\text{ V}; I_C = 0$	–	–	100	nA
h_{FE}	DC current gain	$V_{CE} = 5\text{ V}; I_C = 1\text{ mA}$	300	–	–	
		$V_{CE} = 5\text{ V}; I_C = 500\text{ mA}$	300	–	900	
		$V_{CE} = 5\text{ V}; I_C = 1\text{ A}$	200	–	–	
		$V_{CE} = 5\text{ V}; I_C = 2\text{ A}; \text{note 1}$	75	–	–	
V_{CEsat}	collector-emitter saturation voltage	$I_C = 100\text{ mA}; I_B = 1\text{ mA}$	–	50	75	mV
		$I_C = 500\text{ mA}; I_B = 50\text{ mA}$	–	70	100	mV
		$I_C = 1\text{ A}; I_B = 100\text{ mA}; \text{note 1}$	–	150	190	mV
		$I_C = 2\text{ A}; I_B = 200\text{ mA}; \text{note 1}$	–	300	400	mV
R_{CEsat}	equivalent on-resistance	$I_C = 1\text{ A}; I_B = 100\text{ mA}; \text{note 1}$	–	150	<190	$\text{m}\Omega$
V_{BEsat}	base-emitter saturation voltage	$I_C = 1\text{ A}; I_B = 100\text{ mA}$	–	–	1.2	V
V_{BEon}	base-emitter turn-on voltage	$V_{CE} = 5\text{ V}; I_C = 1\text{ A}$	–	–	1.1	V
f_T	transition frequency	$I_C = 50\text{ mA}; V_{CE} = 10\text{ V}; f = 100\text{ MHz}$	150	–	–	MHz
C_c	collector capacitance	$V_{CB} = 10\text{ V}; I_E = I_e = 0; f = 1\text{ MHz}$	–	–	10	pF

Note

1. Pulse test: $t_p \leq 300\text{ }\mu\text{s}; \delta \leq 0.02$.

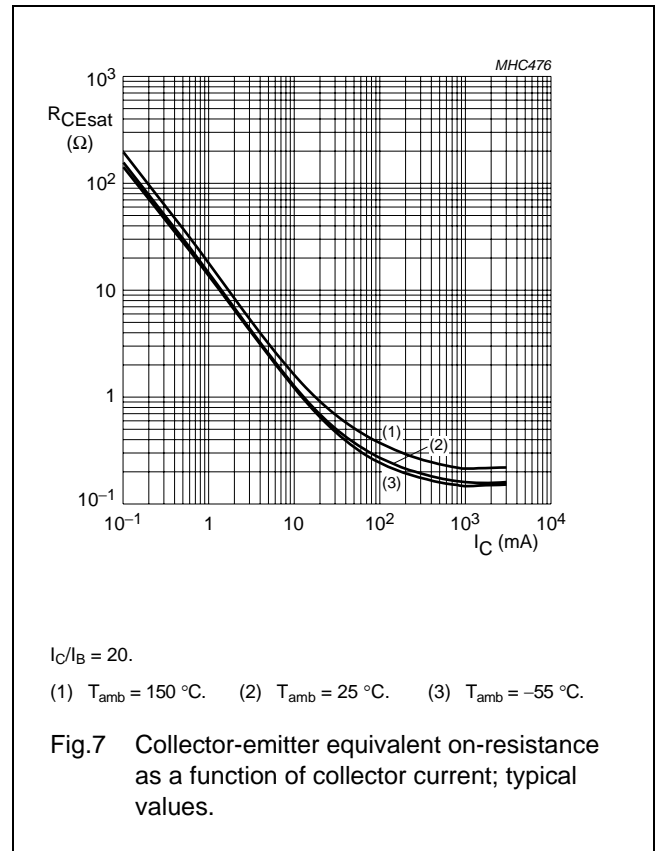
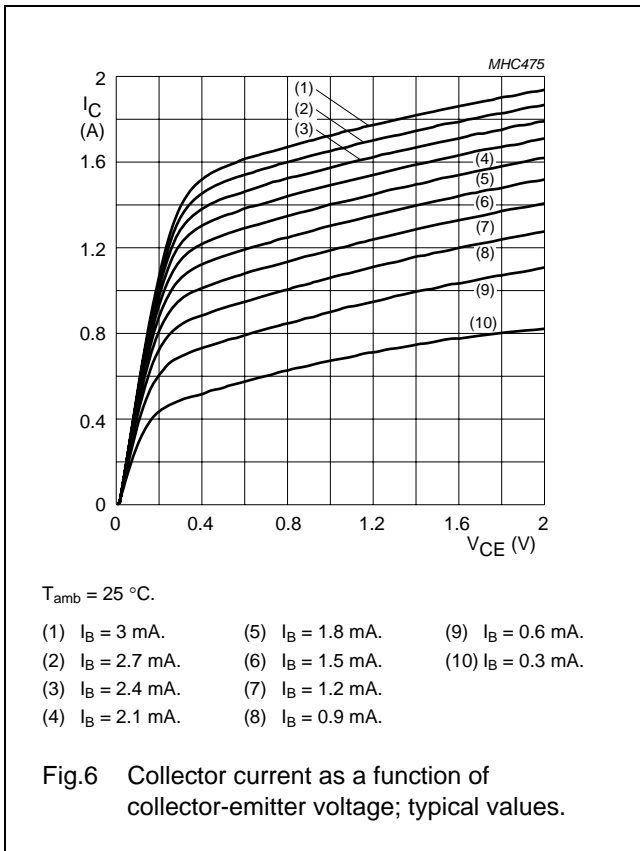
40 V low V_{CEsat} NPN transistor

PBSS4240V



40 V low V_{CEsat} NPN transistor

PBSS4240V



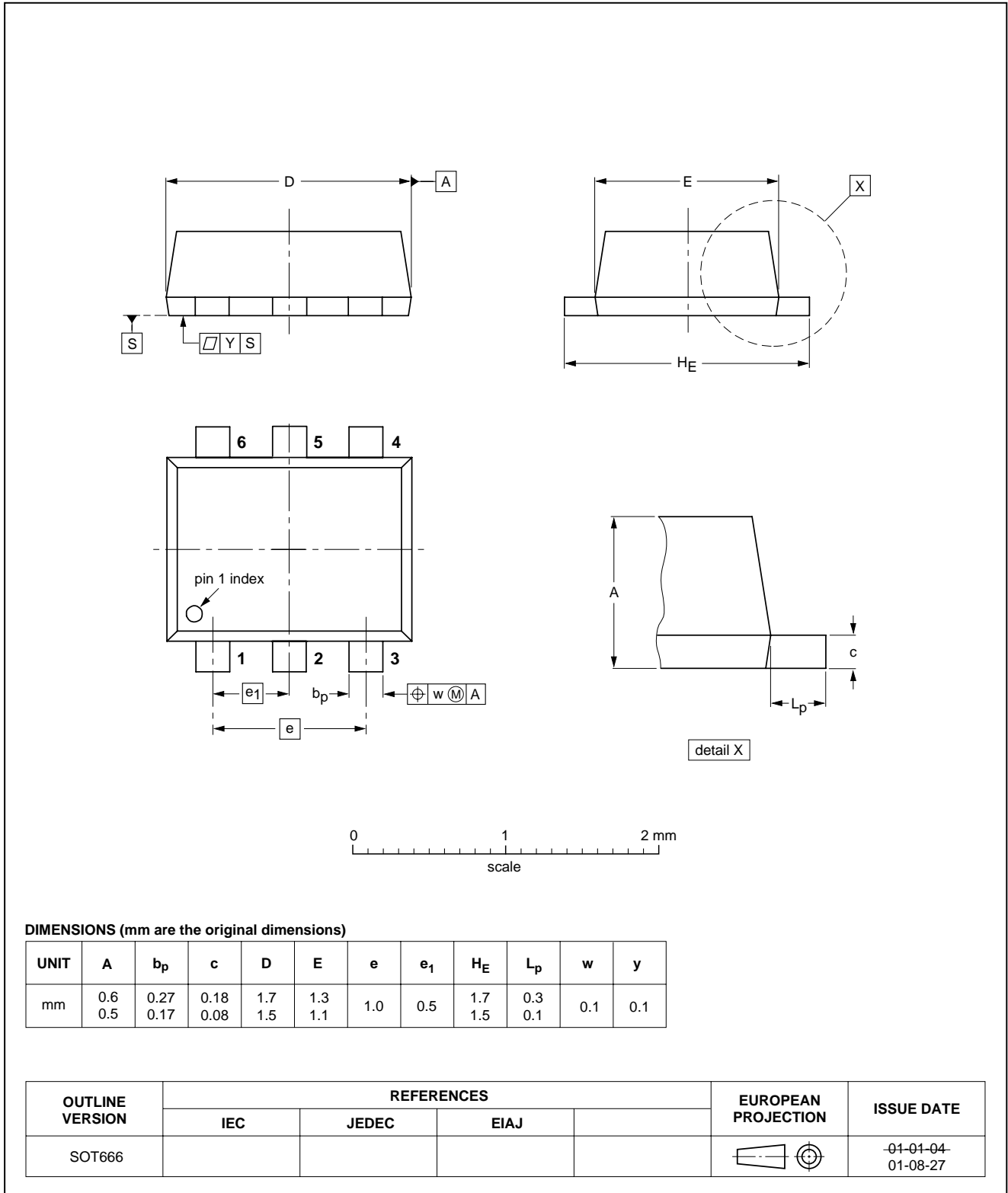
40 V low V_{CEsat} NPN transistor

PBSS4240V

PACKAGE OUTLINE

Plastic surface mounted package; 6 leads

SOT666



DIMENSIONS (mm are the original dimensions)

UNIT	A	b _p	c	D	E	e	e ₁	H _E	L _p	w	y
mm	0.6 0.5	0.27 0.17	0.18 0.08	1.7 1.5	1.3 1.1	1.0	0.5	1.7 1.5	0.3 0.1	0.1	0.1

OUTLINE VERSION	REFERENCES				EUROPEAN PROJECTION	ISSUE DATE
	IEC	JEDEC	EIAJ			
SOT666						01-01-04 01-08-27

40 V low V_{CEsat} NPN transistor

PBSS4240V

DATA SHEET STATUS

DOCUMENT STATUS ⁽¹⁾	PRODUCT STATUS ⁽²⁾	DEFINITION
Objective data sheet	Development	This document contains data from the objective specification for product development.
Preliminary data sheet	Qualification	This document contains data from the preliminary specification.
Product data sheet	Production	This document contains the product specification.

Notes

1. Please consult the most recently issued document before initiating or completing a design.
2. The product status of device(s) described in this document may have changed since this document was published and may differ in case of multiple devices. The latest product status information is available on the Internet at URL <http://www.nxp.com>.

DISCLAIMERS

General — Information in this document is believed to be accurate and reliable. However, NXP Semiconductors does not give any representations or warranties, expressed or implied, as to the accuracy or completeness of such information and shall have no liability for the consequences of use of such information.

Right to make changes — NXP Semiconductors reserves the right to make changes to information published in this document, including without limitation specifications and product descriptions, at any time and without notice. This document supersedes and replaces all information supplied prior to the publication hereof.

Suitability for use — NXP Semiconductors products are not designed, authorized or warranted to be suitable for use in medical, military, aircraft, space or life support equipment, nor in applications where failure or malfunction of an NXP Semiconductors product can reasonably be expected to result in personal injury, death or severe property or environmental damage. NXP Semiconductors accepts no liability for inclusion and/or use of NXP Semiconductors products in such equipment or applications and therefore such inclusion and/or use is at the customer's own risk.

Applications — Applications that are described herein for any of these products are for illustrative purposes only. NXP Semiconductors makes no representation or warranty that such applications will be suitable for the specified use without further testing or modification.

Limiting values — Stress above one or more limiting values (as defined in the Absolute Maximum Ratings System of IEC 60134) may cause permanent damage to the device. Limiting values are stress ratings only and operation of the device at these or any other conditions

above those given in the Characteristics sections of this document is not implied. Exposure to limiting values for extended periods may affect device reliability.

Terms and conditions of sale — NXP Semiconductors products are sold subject to the general terms and conditions of commercial sale, as published at <http://www.nxp.com/profile/terms>, including those pertaining to warranty, intellectual property rights infringement and limitation of liability, unless explicitly otherwise agreed to in writing by NXP Semiconductors. In case of any inconsistency or conflict between information in this document and such terms and conditions, the latter will prevail.

No offer to sell or license — Nothing in this document may be interpreted or construed as an offer to sell products that is open for acceptance or the grant, conveyance or implication of any license under any copyrights, patents or other industrial or intellectual property rights.

Export control — This document as well as the item(s) described herein may be subject to export control regulations. Export might require a prior authorization from national authorities.

Quick reference data — The Quick reference data is an extract of the product data given in the Limiting values and Characteristics sections of this document, and as such is not complete, exhaustive or legally binding.

NXP Semiconductors

Customer notification

This data sheet was changed to reflect the new company name NXP Semiconductors. No changes were made to the content, except for the legal definitions and disclaimers.

Contact information

For additional information please visit: **<http://www.nxp.com>**

For sales offices addresses send e-mail to: **salesaddresses@nxp.com**

© NXP B.V. 2009

All rights are reserved. Reproduction in whole or in part is prohibited without the prior written consent of the copyright owner.

The information presented in this document does not form part of any quotation or contract, is believed to be accurate and reliable and may be changed without notice. No liability will be accepted by the publisher for any consequence of its use. Publication thereof does not convey nor imply any license under patent- or other industrial or intellectual property rights.

Printed in The Netherlands

613514/01/pp9

Date of release: 2003 Jan 30

Document order number: 9397 750 10782

