

**10/100/1000 BASE-TX SINGLE PORT MAGNETICS MODULES**

- IEEE 802.3 Ethernet Compatible
- RoHS Compliant
- Reflow peak temperature 250°C Max.
- Operating Temperature : 0°C ~ +70°C
- Storage Temperature : -25°C ~ +125°C

**Electrical Specification @25°C**

OCL:350uH Min. @100KHz/100mV

Isolation Voltage: 1500Vrms(Input to Output)

Turns Ratio: PRI:SEC =1CT:1CT ±3%

D.C.R.: 0.9 ohm Max.

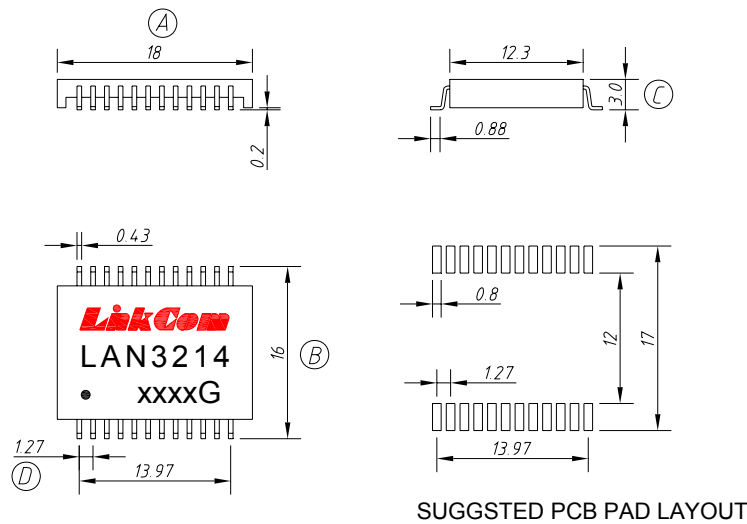
Insertion Loss:  $-0.2-0.002*f^{1.4}$  dB Max. (0.1~100MHz)

Return Loss:	1-40MHz	40~100MHz
	-16dB Min.	-10+20*Log <sub>10</sub> (f/80MHz) dB Min.

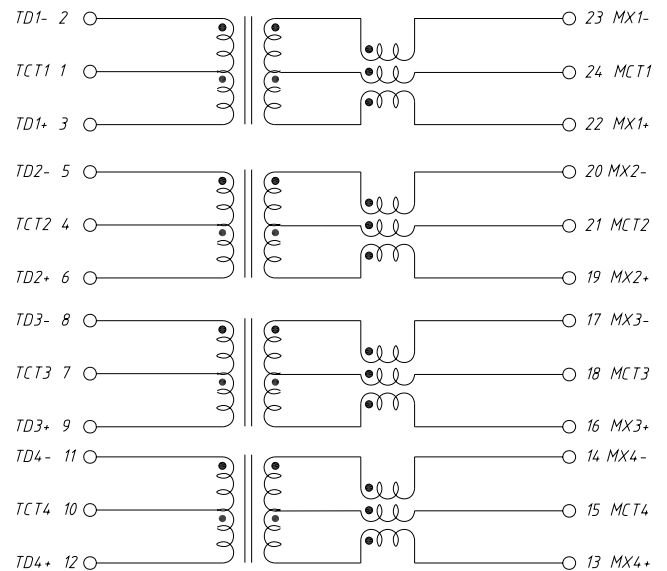
D.C.M.R.	2MHz	30~100MHz
	-50dB Min.	-43+22*Log <sub>10</sub> (f/30MHz) dB Min.

Cross Talk:	1MHz	10~100MHz
	-50dB Min.	-55+22*Log <sub>10</sub> (f/10MHz) dB Min.

**Dimensions:**



**Schematic:**



Units:mm

Unless otherwise specified, all tolerances are ±0.25