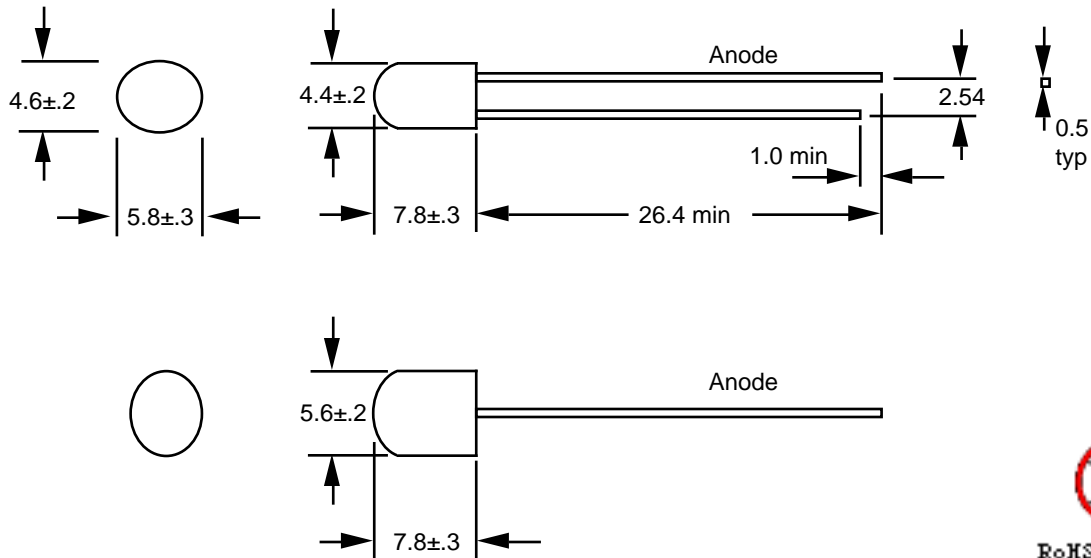


K Series, Ultra Bright, and White, Water Clear LED, 5323 K Series, 4.4 x 5.6mm Elliptical Wide Angle



These K series lamps are made with the brightest AlInGaP chips which can be used for super brightness at low current (2mA) or ultra brightness at standard current (20mA). This package is popular in sign making applications. The White LEDs are made with GaN chips. White should only be used when this colors are necessary for the application and higher cost is acceptable.



RoHS Compliant
Aug 2004

GENERAL INFORMATION

Operating Temperature Range	-30 °C to +85 °C
Storage Temperature Range	-55 °C to +100 °C
Reflow Soldering Temperature	260 °C for 5 sec max

APPLICATION INFORMATION (ALL RATINGS AT 25 °C AMBIENT)

Part No.	Emitted Color	Peak		Absolute Maximum Ratings					E/O Characteristics					
		λ	$\Delta\lambda$	Pd (mW)	If (mA)		Ir @Vr=5V (μ A)	Vr (V)	Iv (mcd) @If=20mA		Vf (V) @ If=20mA		$2\Theta_{1/2}$ (Deg)	
		(nm)	(nm)		dc	1/10 duty @ 1 kHz			2mA	Min	Typ	Min		Typ
KRC5323-5	Red	632	20	120	25	200	10	5	-	220	360	2.0	2.4	X=35 Y=80
KRC5323-6	Red	632	20	120	25	200	10	5	-	270	450	2.0	2.4	
KEC5323-5	Red	639	20	120	25	200	10	5	-	250	300	2.0	2.4	
KEC5323-6	Red	639	20	120	25	200	10	5	-	300	500	2.0	2.4	
KYC5323-5	Yellow	591	15	120	25	200	10	5	-	270	440	2.0	2.4	
KYC5323-6	Yellow	591	15	120	25	200	10	5	-	340	540	2.0	2.4	
KYC5323-7	Yellow	591	15	120	25	200	10	5	-	450	580	2.0	2.4	
KOC5323-5	Orange	621	18	120	25	200	10	5	-	290	490	2.0	2.4	
KOC5323-6	Orange	621	18	120	25	200	10	5	-	360	600	2.0	2.4	
KOC5323-7	Orange	621	18	120	25	200	10	5	-	480	620	2.0	2.4	
KYOC5323-5	YelOrng	611	17	120	25	200	10	5	-	280	460	2.0	2.4	
KYOC5323-6	YelOrng	611	17	120	25	200	10	5	-	350	570	2.0	2.4	
KYOC5323-7	YelOrng	611	17	120	25	200	10	5	-	460	600	2.0	2.4	
KSGC5323	BluGrn	518	30	120	25	100	10	5	-	400	630	3.5	4.0	
IUWC5323	White	-	-	120	25	100	10	5	-	230	350	3.6	4.0	

Specifications subject to change without notice. Dimensions are in mm±0.3 unless stated otherwise.

IDEA, Inc., 1351 Titan Way, Brea, CA 92821 Ph:714-525-3302, 800-LED-IDEA; Fax: 714-525-3304 0508