

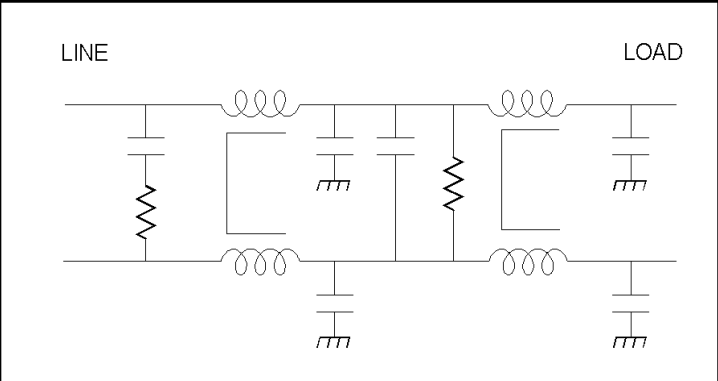


KK-1920-25

Operating Voltage = 60 VDC
 Operating Current (Max) = 25 Amp
 Temperature Range (Storage) = -40 TO 100 C
 Temperature Range (Operating) = -20 TO 50 C
 Diel. Withstanding Voltage (Term - Case) = 1500 VDC
 Diel. Withstanding Voltage (Term - Term) = 500 VDC

 Weight: 1.5 Lbs

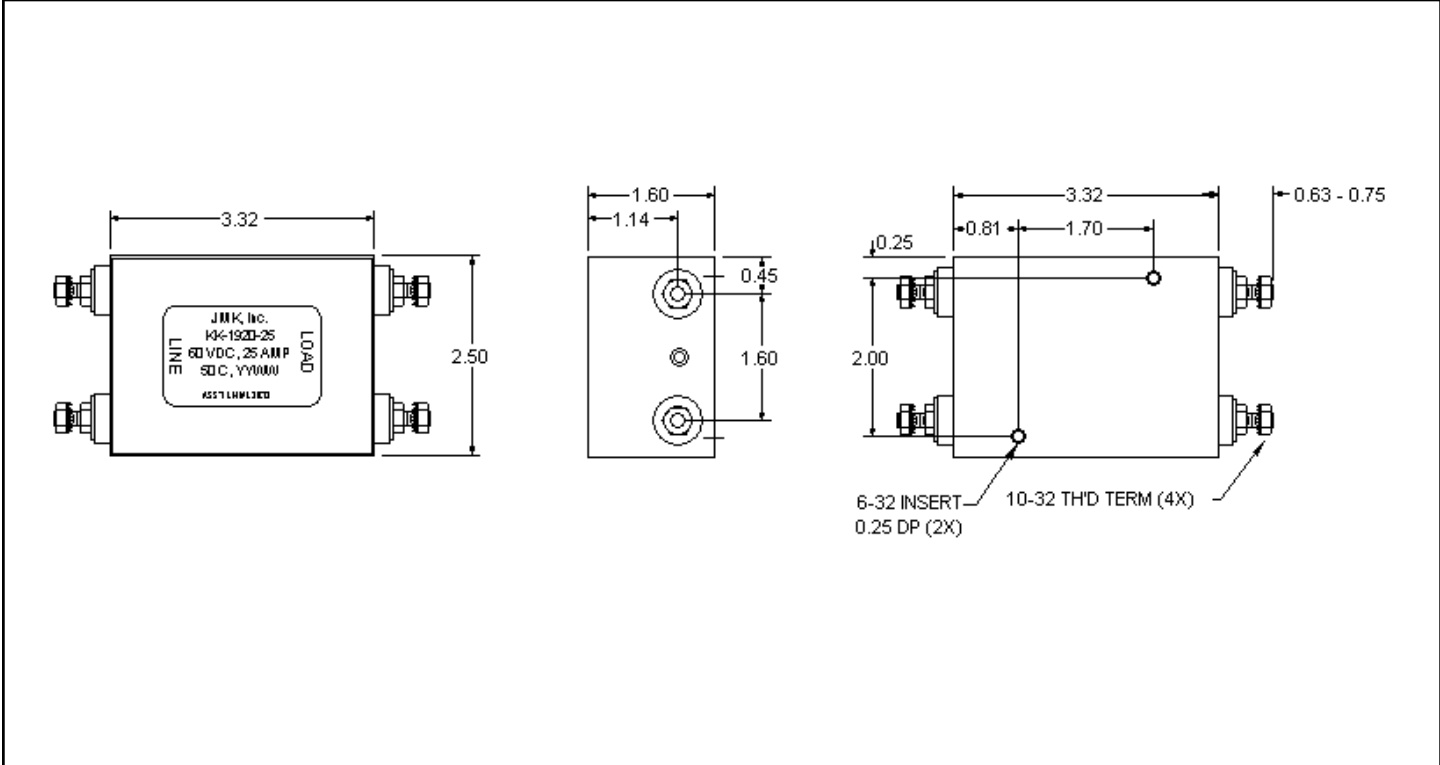
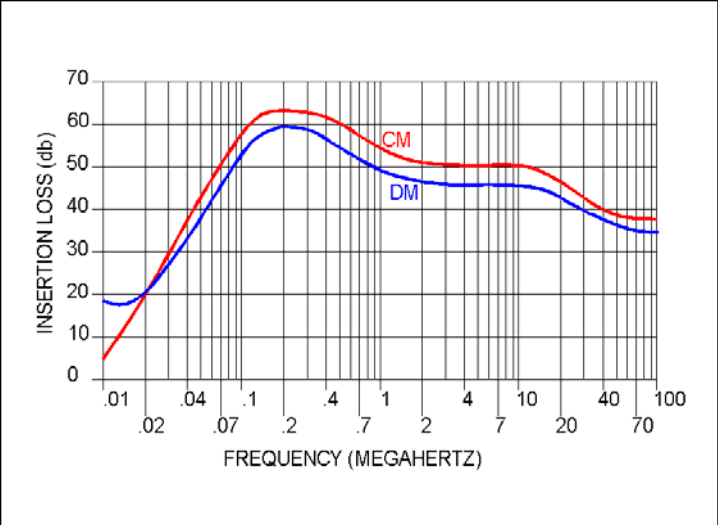
 ROHS: This filter is ROHS compliant .



The KK-1920-25 filter is designed to operate in Telecom and other DC power environments.

 The filter provides high insertion loss from low frequencies to 100 Mhz .

 The small package size is ideal where a lot of insertion loss is required in a small package size



USA JMK Inc 15 Caldwell Dr. Amherst, NH 03031 PH: 603 886-4100 FX: 603 886-4115
 email: info@jmkfilters.com
 EUR JMK Ltd Glasgow G131DN Scotland UK PH: 44-(0) 778 531-0729 FX: 44-(0) 141 589-1884