

Specifications

Insulation Resistance:	100MΩ min.
Current Rating:	0.5A min.
Voltage Rating:	40V AC
Withstanding Voltage:	500V AC
Contact Resistance:	30mΩ max.
Operating Temperature Range:	-55°C to +125°C
Solder Temperature:	220°C / 60 sec., 250°C peak

Part Number (Details)

HDMI - 019 - S9 - AL - Type*

Series No.

3 = Type 3

4 = Type 4

Materials and Finish

Housing:	LCP, UL94V-0 rated (black)
Contacts:	Brass
Shield:	Brass, Tin plated over Ni
Contact Plating:	Solder area - Sn over Ni Mating area - 30μ" Au over Ni

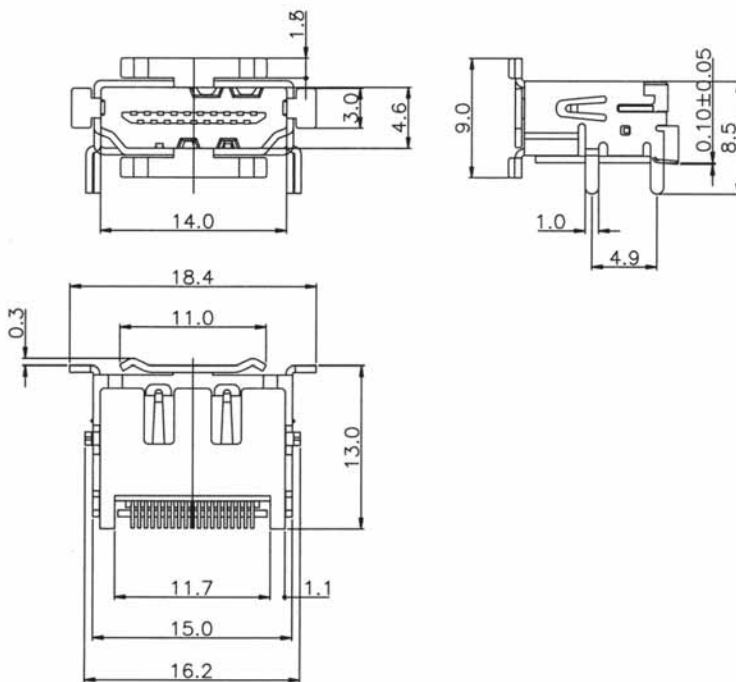


Features

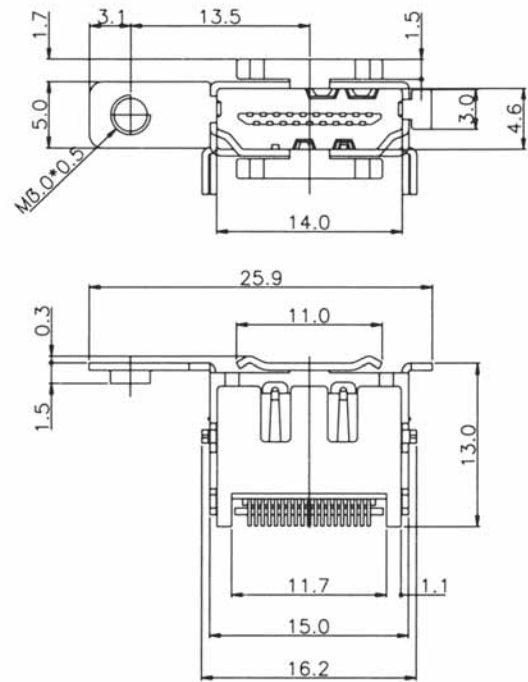
- With lock springs for secure mating

Outline Dimensions for Type 3

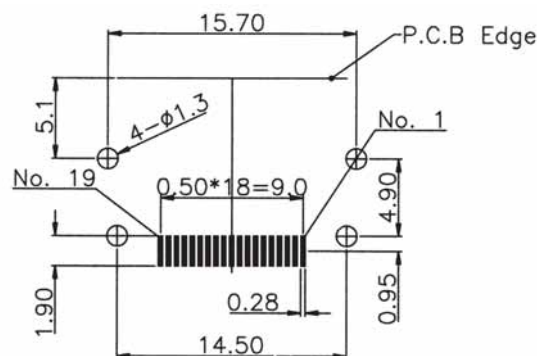
HDMI-019-S9-AL-Type3



Outline Dimensions for Flange Type 4



Recommended PCB Layout



Top View

Specifications

Insulation Resistance:	100MΩ min.
Current Rating:	0.5A min.
Voltage Rating:	40V AC
Withstanding Voltage:	500V AC
Contact Resistance:	30mΩ max.
Operating Temperature Range:	-55°C to +125°C
Solder Temperature:	220°C / 60 sec., 250°C peak

Part Number (Details)

HDMI - 019 - S9 - AL - Type5 *

Series No.

Unmarked = Without Flange
F = With Flange

Materials and Finish

Housing:	LCP, UL94V-0 rated (black)
Contacts:	Brass
Shield:	Brass, Tin plated over Ni
Contact Plating:	Solder area - Sn over Ni Mating area -30μ" Au over Ni

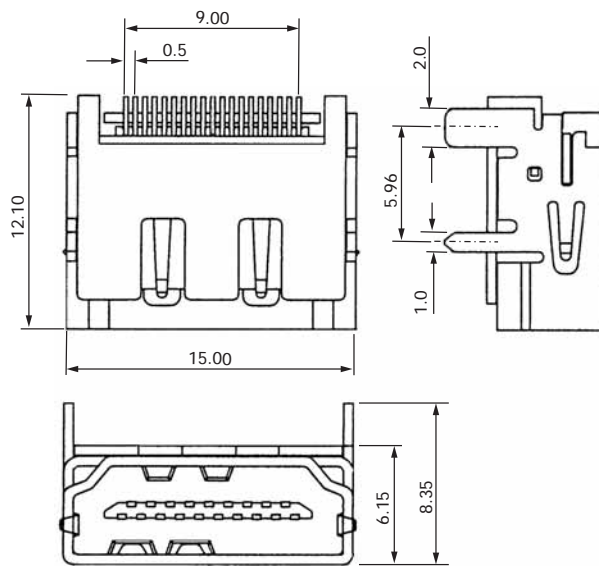


Features

- With lock springs for secure mating

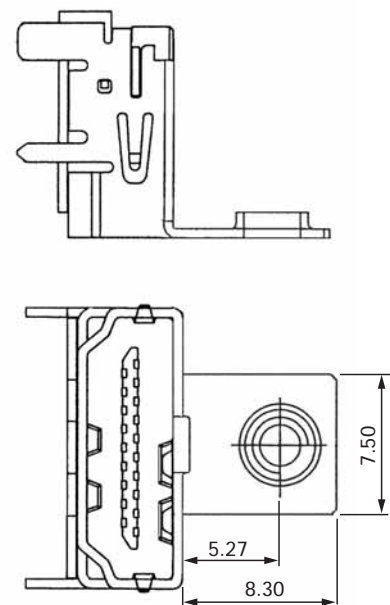
Outline Dimensions

HDMI-019-S9-AL-Type5

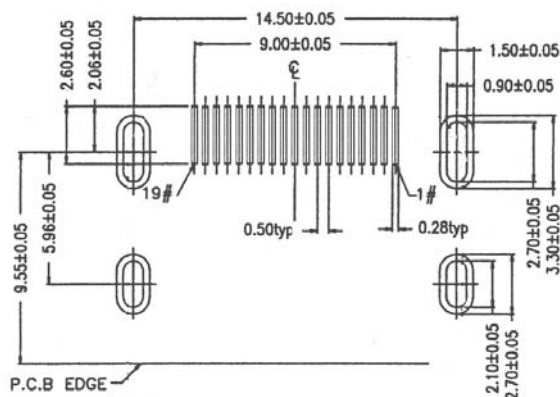


Outline Dimensions for Flange Type

HDMI-019-S9-AL-Type5F



Recommended PCB Layout



Top View