

AC Axial Fans



Approvals



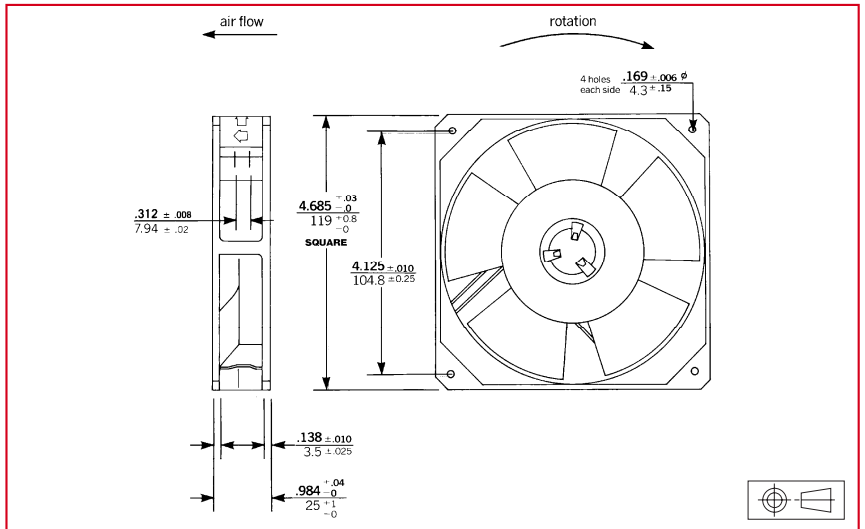
GAM T1 listed

Life expectancy

L-10 LIFE AT 40°C:

80 000 hours (ball bearings)

50 000 hours (sleeve bearings)



AC Motor

Electrical protection: impedance protected

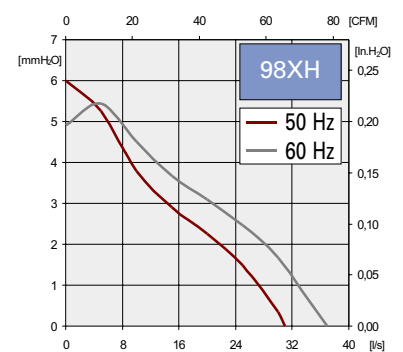
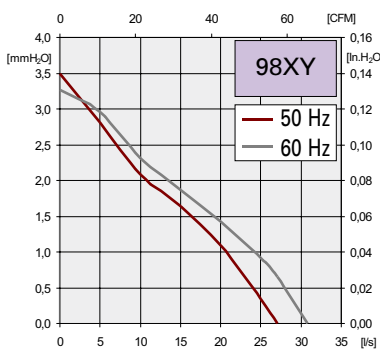
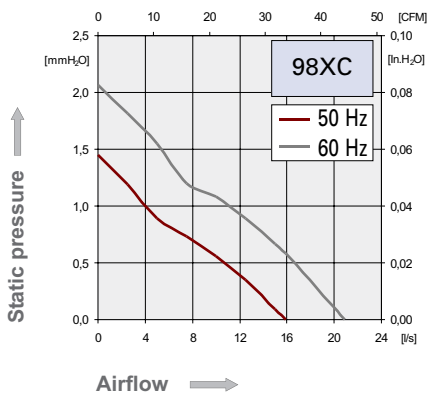
Housing material: zamak

Impeller material: plastic UL 94 VO

Weight: 0,465 kg

Available with:

- speed sensor



Part number	Nominal voltage	Airflow	Noise level	Nominal speed	Frequency	Phases	Capacitor	Input power	Nominal current	Starting current	Bearing system	Connection type		Operating temperature		
	V	l/s	dB(A)	RPM	Hz		µF	W	mA	mA	Ball	Sleeve	Leads	Terminals	Min. °C	Max. °C
98XC0182000	115	16	32	1300	50	1		12	130	150	X			X	- 10	70
		21	35	1700	60	1		10	110	130	X			X	- 10	70
98XC0181000	208-240	16	32	1300	50	1		14	80	90	X			X	- 10	70
		21	35	1700	60	1		12	70	75	X			X	- 10	70
98XY0182000	115	27	36	2100	50	1		10	120	140	X			X	- 10	70
		31	38	2400	60	1		9	100	120	X			X	- 10	70
98XY0181000	208-240	27	36	2100	50	1		12	65	80	X			X	- 10	70
		31	38	2400	60	1		10	55	65	X			X	- 10	70
98XH0182020	115	31	41	2550	50	1		13	135	200	X			X	- 10	70
		37	44	3000	60	1		11	110	180	X			X	- 10	70
98XH0181000	208-240	31	41	2550	50	1		15	80	100	X			X	- 10	70
		37	44	3000	60	1		13	65	90	X			X	- 10	70

Additional versions:

Shock and vibration protected -

Wide temperature range - Sleeve bearings

Accessories:

- Plastic filter P/N : F120/T102 and 120V

- Plastic finger guards P/N : PFG-120 and 121-53

- Rubber mounts P/N : AM-10

- Metal filters: 96-152 and 96-302

- Metal finger guard P/N : 9601-43

- Metal mesh filter P/N : 120-G