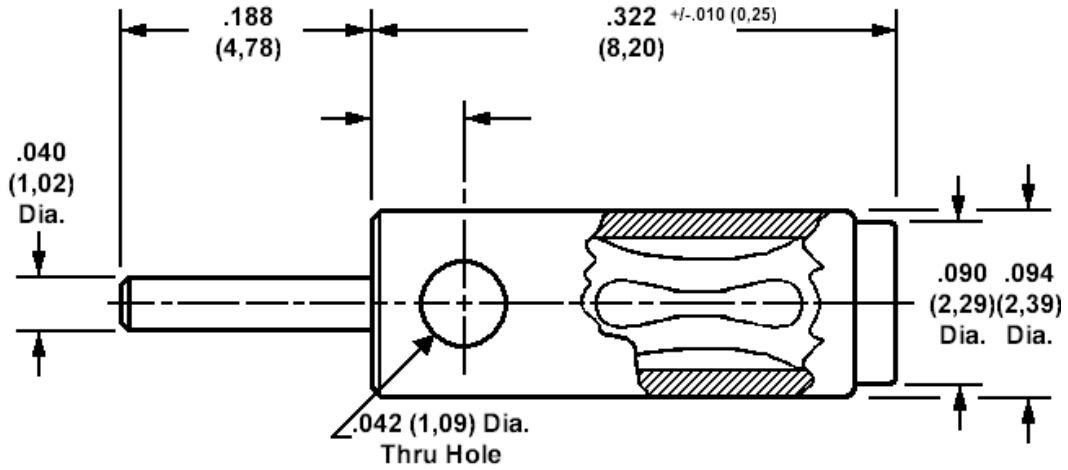


450-3302, Socket for patch lead ends, stackable, .040 (1,02) pin and socket



Min hole depth .190 (4,83)

How to order code
450-3302-01-03-00

Component	Material	Finish(-03)
Body	Brass	Gold over Nickel
Spring	Beryllium copper	Gold over Nickel

Recommended hook up wire size is 22 AWG (7 strands of 30AWG) copper wire PTFE insulated, .053 (1,37) over insulation. (not supplied)