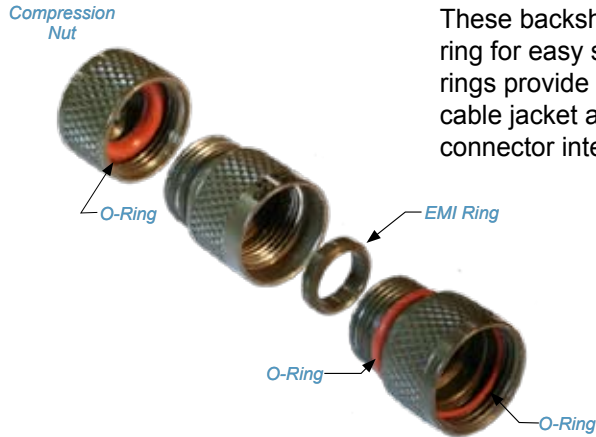


Series 80 "Mighty Mouse" Backshells, Boots and Clamps


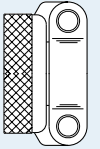


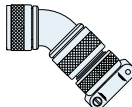
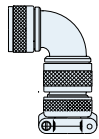


Environmental EMI Backshells

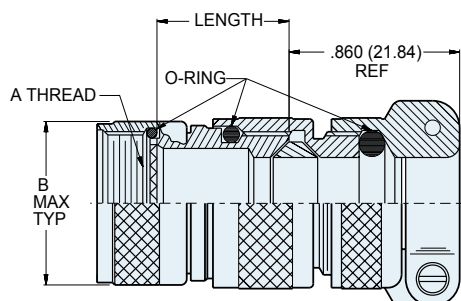


These backshells feature an EMI ring for easy shield termination. O-rings provide watertight seals on the cable jacket and on the backshell-to-connector interface.

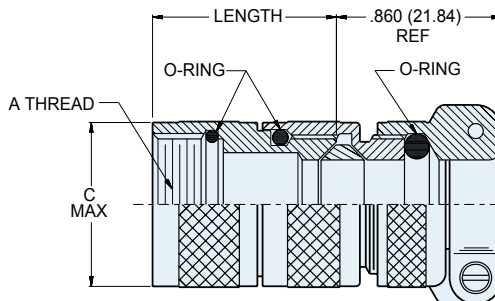
MATERIALS	
Adapter, Clamp, Nut and Saddles	Aluminum Alloy 6061-T6 or 300 Series Stainless Steel
O-Rings	Silicone Rubber
Hardware	300 Series Stainless Steel

HOW TO ORDER																																																																																													
Sample Part Number																																																																																													
390MS077	M	07	04-	6	N																																																																																								
Part Number	Shell Material / Finish	Size Code	Cable Entry Code	Length	Clamp Style																																																																																								
 390MS077 Straight Entry, Rotatable Coupling	M Aluminum / Electroless Nickel NF Aluminum / Cadmium with Olive Drab Chromate ZN Aluminum / Zinc-Nickel with Olive Drab Chromate ZNU Aluminum / Zinc-Nickel with Black Chromate Z1 Stainless Steel / Passivated	<table border="1"> <thead> <tr> <th>Size Code</th> <th>Thread Size</th> </tr> </thead> <tbody> <tr><td>05</td><td>.2500-32</td></tr> <tr><td>06</td><td>.3125-32</td></tr> <tr><td>11</td><td>.3750-32</td></tr> <tr><td>07</td><td>.4375-28</td></tr> <tr><td>08</td><td>.5000-28</td></tr> <tr><td>09</td><td>.5625-24</td></tr> <tr><td>10</td><td>.6250-24</td></tr> <tr><td>12</td><td>.6875-24</td></tr> <tr><td>13</td><td>.7500-20</td></tr> <tr><td>14</td><td>.9375-20</td></tr> </tbody> </table>	Size Code	Thread Size	05	.2500-32	06	.3125-32	11	.3750-32	07	.4375-28	08	.5000-28	09	.5625-24	10	.6250-24	12	.6875-24	13	.7500-20	14	.9375-20	<table border="1"> <thead> <tr> <th rowspan="2">Cable Entry Code</th> <th colspan="2">Cable Sealing Dia.</th> </tr> <tr> <th>Max.</th> <th>Min.</th> </tr> </thead> <tbody> <tr><td>01-</td><td>.109</td><td>.031</td></tr> <tr><td>02-</td><td>.172</td><td>.078</td></tr> <tr><td>03-</td><td>.234</td><td>.140</td></tr> <tr><td>04-</td><td>.297</td><td>.203</td></tr> <tr><td>05-</td><td>.359</td><td>.265</td></tr> <tr><td>06-</td><td>.422</td><td>.328</td></tr> <tr><td>07-</td><td>.484</td><td>.390</td></tr> <tr><td>08-</td><td>.547</td><td>.453</td></tr> <tr><td>09-</td><td>.609</td><td>.515</td></tr> </tbody> </table>	Cable Entry Code	Cable Sealing Dia.		Max.	Min.	01-	.109	.031	02-	.172	.078	03-	.234	.140	04-	.297	.203	05-	.359	.265	06-	.422	.328	07-	.484	.390	08-	.547	.453	09-	.609	.515	<table border="1"> <thead> <tr> <th rowspan="2">Length Code</th> <th rowspan="2">Length (Inches)</th> </tr> </thead> <tbody> <tr><td>5</td><td>.625</td></tr> <tr><td>6</td><td>.750</td></tr> <tr><td>7</td><td>.875</td></tr> <tr><td>8</td><td>1.000</td></tr> <tr><td>9</td><td>1.125</td></tr> <tr><td>10</td><td>1.250</td></tr> <tr><td>11</td><td>1.375</td></tr> <tr><td>12</td><td>1.500</td></tr> <tr><td>13</td><td>1.625</td></tr> <tr><td>14</td><td>1.750</td></tr> <tr><td>15</td><td>1.875</td></tr> <tr><td>16</td><td>2.000</td></tr> <tr><td>17</td><td>2.125</td></tr> <tr><td>18</td><td>2.250</td></tr> <tr><td>19</td><td>2.375</td></tr> <tr><td>20</td><td>2.500</td></tr> </tbody> </table>	Length Code	Length (Inches)	5	.625	6	.750	7	.875	8	1.000	9	1.125	10	1.250	11	1.375	12	1.500	13	1.625	14	1.750	15	1.875	16	2.000	17	2.125	18	2.250	19	2.375	20	2.500	 Straight Entry 390MS Only Omit for screw clamp with saddle bars  N Optional Compression Nut, Low Profile
			Size Code	Thread Size																																																																																									
			05	.2500-32																																																																																									
			06	.3125-32																																																																																									
			11	.3750-32																																																																																									
			07	.4375-28																																																																																									
			08	.5000-28																																																																																									
			09	.5625-24																																																																																									
			10	.6250-24																																																																																									
			12	.6875-24																																																																																									
			13	.7500-20																																																																																									
			14	.9375-20																																																																																									
			Cable Entry Code	Cable Sealing Dia.																																																																																									
				Max.	Min.																																																																																								
01-	.109	.031																																																																																											
02-	.172	.078																																																																																											
03-	.234	.140																																																																																											
04-	.297	.203																																																																																											
05-	.359	.265																																																																																											
06-	.422	.328																																																																																											
07-	.484	.390																																																																																											
08-	.547	.453																																																																																											
09-	.609	.515																																																																																											
Length Code	Length (Inches)																																																																																												
		5	.625																																																																																										
6	.750																																																																																												
7	.875																																																																																												
8	1.000																																																																																												
9	1.125																																																																																												
10	1.250																																																																																												
11	1.375																																																																																												
12	1.500																																																																																												
13	1.625																																																																																												
14	1.750																																																																																												
15	1.875																																																																																												
16	2.000																																																																																												
17	2.125																																																																																												
18	2.250																																																																																												
19	2.375																																																																																												
20	2.500																																																																																												
 390MS076 Straight Entry, Direct Coupling				Specify length in increments of .125 inches (3.18 mm.)																																																																																									
 390MB077 45° Entry Rotatable Coupling																																																																																													
 390MA077 90° Entry Rotatable Coupling																																																																																													

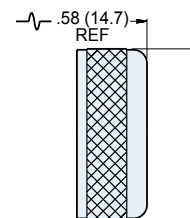
Environmental EMI Backshells



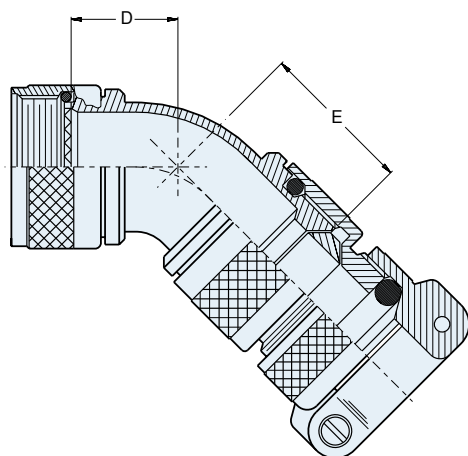
STRAIGHT ENTRY
ROTATABLE COUPLING
390MS077



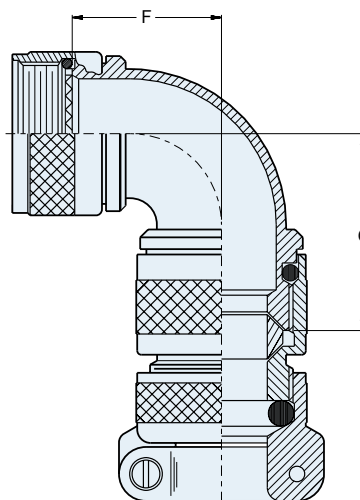
STRAIGHT ENTRY
DIRECT COUPLING
390MS076



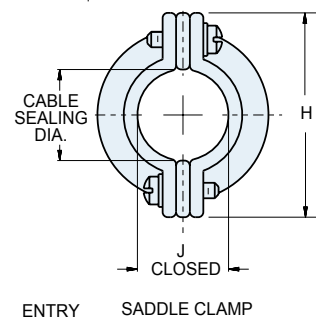
CLAMP STYLE N
COMPRESSION NUT



45° ENTRY
ROTATABLE COUPLING
390MB077



90° ENTRY
ROTATABLE COUPLING
390MA077



ENTRY SADDLE CLAMP

DIMENSIONS

Size Code	A Thds.	B Max.		C Max.		Std. Length*	
		In.	mm.	In.	mm.	In.	mm.
05	.2500-32	.470	11.94	.350	8.89	.750	19.05
06	.3125-32	.530	13.46	.415	10.54	.750	19.05
11	.3750-32	.570	14.48	.465	11.68	.750	19.05
07	.4375-28	.637	16.18	.530	13.46	.750	19.05
08	.5000-28	.700	17.78	.595	15.11	.750	19.05
09	.5625-24	.758	19.25	.650	16.51	.750	19.05
10	.6250-24	.819	20.80	.715	18.16	.750	19.05
12	.6875-24	.896	22.76	.785	19.94	.880	22.35
13	.7500-20	.930	23.62	.830	21.08	.880	22.35
14	.9375-20	1.137	28.88	1.020	25.91	1.000	25.40

*Choose standard length for best availability

DIMENSIONS

Cable Entry Code	Cable Sealing Dia.		D Max.		E Max.		F Max.		G Max.		H		Ø J Closed		Ø K	
	Max.	Min.	In.	mm.	In.	mm.	In.	mm.	In.	mm.	In.	mm.	In.	mm.	In.	mm.
01	.109	.031	.603	15.32	.681	17.30	.724	18.39	.802	20.37	.496	12.60	.110	2.79	.398	10.11
02	.172	.078	.603	15.32	.681	17.30	.724	18.39	.802	20.37	.582	14.78	.170	4.32	.460	11.68
03	.234	.140	.603	15.32	.681	17.30	.724	18.39	.802	20.37	.656	16.66	.230	5.84	.523	13.28
04	.297	.203	.629	15.98	.707	17.96	.786	19.96	.864	21.95	.726	18.44	.300	7.62	.585	14.86
05	.359	.265	.629	15.98	.707	17.96	.786	19.96	.864	21.95	.885	22.48	.360	9.14	.647	16.43
06	.422	.328	.655	16.64	.733	18.62	.848	21.54	.926	23.52	.952	24.18	.420	10.67	.710	18.03
07	.484	.390	.655	16.64	.733	18.62	.848	21.54	.926	23.52	1.018	25.86	.480	12.19	.773	19.63
08	.547	.453	.707	17.96	.785	19.94	.911	23.14	.989	25.12	1.084	27.53	.550	13.97	.835	21.21
09	.609	.515	.707	17.96	.785	19.94	.911	23.14	.989	25.12	1.148	29.16	.610	15.49	.897	22.78