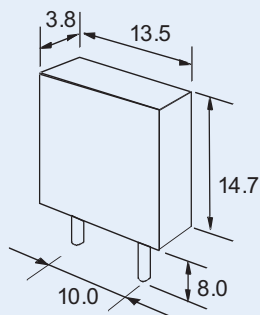


ZTB SERIES

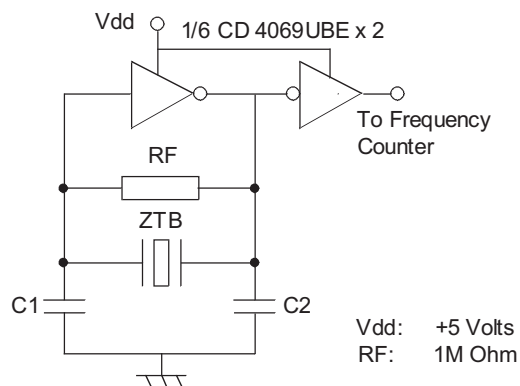
190kHz to 249kHz

ZTB Series 190kHz to 249kHz



Outline and Dimensions

Test Circuit



Electrical characteristics

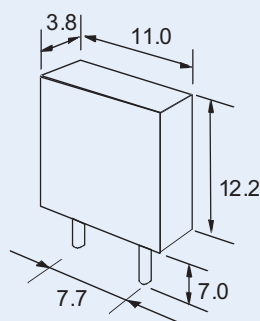
Part Number	Frequency Range (kHz)	Frequency Accuracy at 25°C	Temperature Stability -20° to +80°C	Ageing Stability 10 years	Resonance Resistance (Ω) max.	C ₁ (pF)	C ₂ (pF)
ZTB ---D	190 to 249	±1.0kHz	±0.3%	±0.5%	20	330pF	470pF

(For ---- insert frequency)

ZTB SERIES

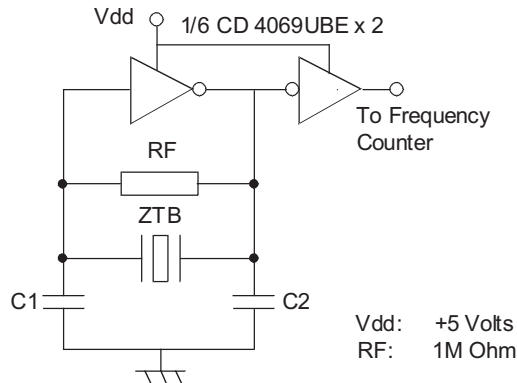
250kHz to 374kHz

ZTB Series 250kHz to 374kHz



Outline and Dimensions

Test Circuit



Electrical characteristics

Part Number	Frequency Range (kHz)	Frequency Accuracy at 25°C	Temperature Stability -20° to +80°C	Ageing Stability 10 years	Resonance Resistance (Ω) max.	C ₁ (pF)	C ₂ (pF)
ZTB ---D	250 to 374	±1.0kHz	±0.3%	±0.5%	20	220pF	470pF

(For ---- insert frequency)