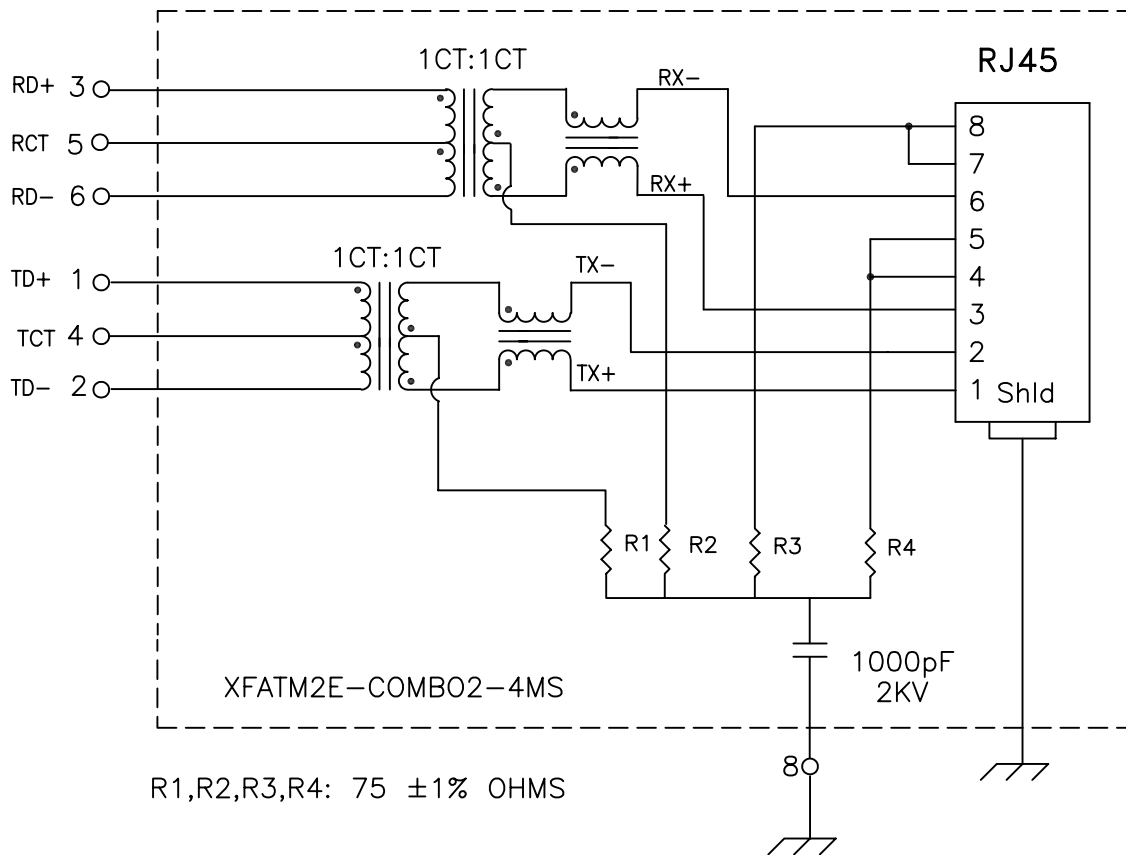


**Schematic:** (One of two)



**Electrical Specifications: @25°C**

Isolation Voltage: 1500 Vrms (INPUT to OUTPUT)  
 UTP SIDE OCL: 350uH Min @100KHz 100mV 8mADC  
 Rise Time (10-90%): 2.5ns Typical  
 Insertion Loss (100KHz-100MHz): -1.1dB Maximum  
 Insertion Loss (100MHz-125MHz): -1.5dB Maximum  
 Return Loss: -18dB Typ. @30MHz  
                   -12dB Typ. @80MHz

Crosstalk:

100KHz-60MHz    -40dB Typical  
 60MHz-100MHz   -38dB Typical

Common Mode to Differential Mode Rejection:

100KHz-60MHz    -45dB Typ (Tx) / -40dB Typ (Rx)  
 60MHz-100MHz   -40dB Typ (Tx) / -35dB Typ (Rx)

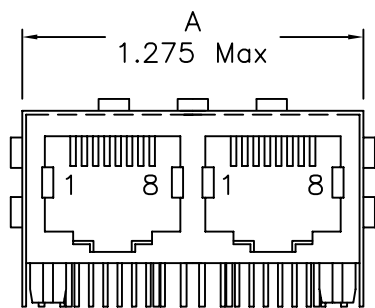
**Notes:**

1. Solderability: Leads shall meet MIL-STD-202, Method 208D for solderability.
2. Flammability: UL94V-0
3. ASTM oxygen index: > 28%
4. Insulation System: Class F 155°C. UL file E151556
5. Operating Temperature Range: -40°C to +85°C
6. Storage Temperature Range: -55°C to +125°C
7. Aqueous wash compatible

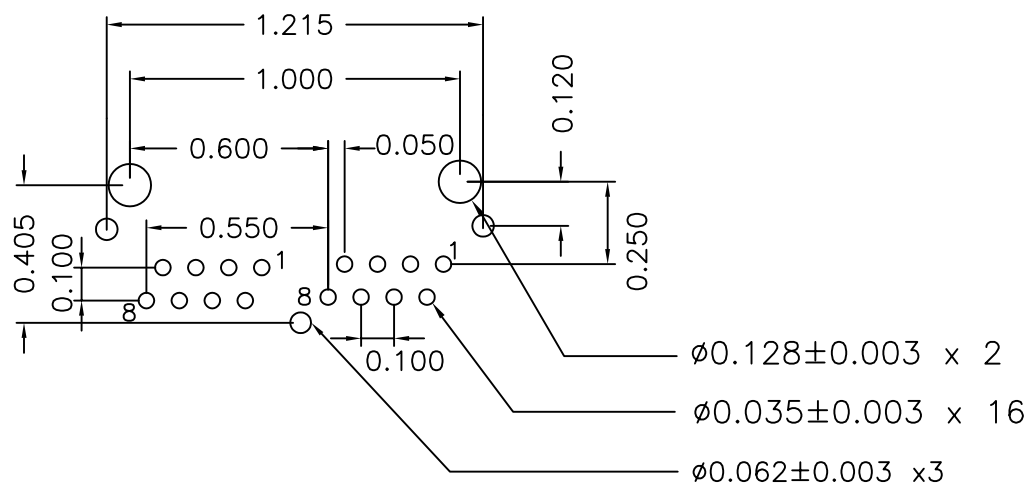
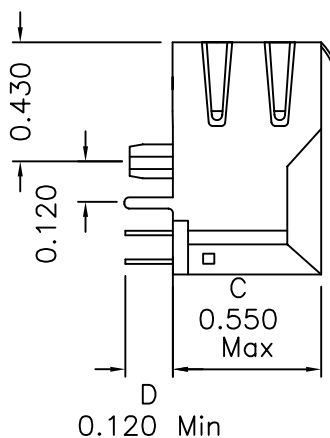
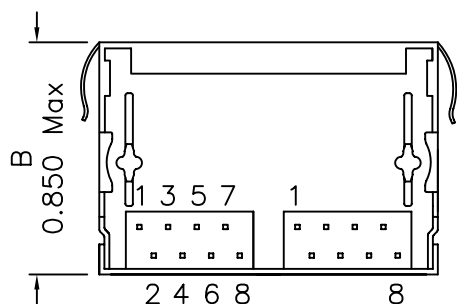
DOC REV: A/1

<b>XFMRs Inc.</b>		Title: <b>TWO PORT COMBO</b>	
		UNLESS OTHERWISE SPECIFIED	
TOLERANCES: .xxx ±0.010		P/N: XFATM2E-COMBO2-4MS	
		REV. A	
Dimensions in Inch		DWN.	李小锋 Aug-12-02
		CHK.	廖玉坤 Aug-12-02
SHEET 1 OF 2		APP.	Isaiah M Aug-12-02

# Mechanical Dimensions:



TOP VIEW



SUGGESTED MOUNTING PATTERN

DOC REV: A/1

<b>XFMRS Inc.</b>	Title: Mechanical Dimensions For COMBO2-4MS Series	
	P/N: XFATM2E-COMBO2-4MS	REV. A
UNLESS OTHERWISE SPECIFIED TOLERANCES: .xxx ±0.010 Dimensions in Inch	DWN.	罗振江 Aug-12-02
	CHK.	廖玉坤 Aug-12-02
SHEET 2 OF 2	APP.	Aug-12-02 Aug-12-02