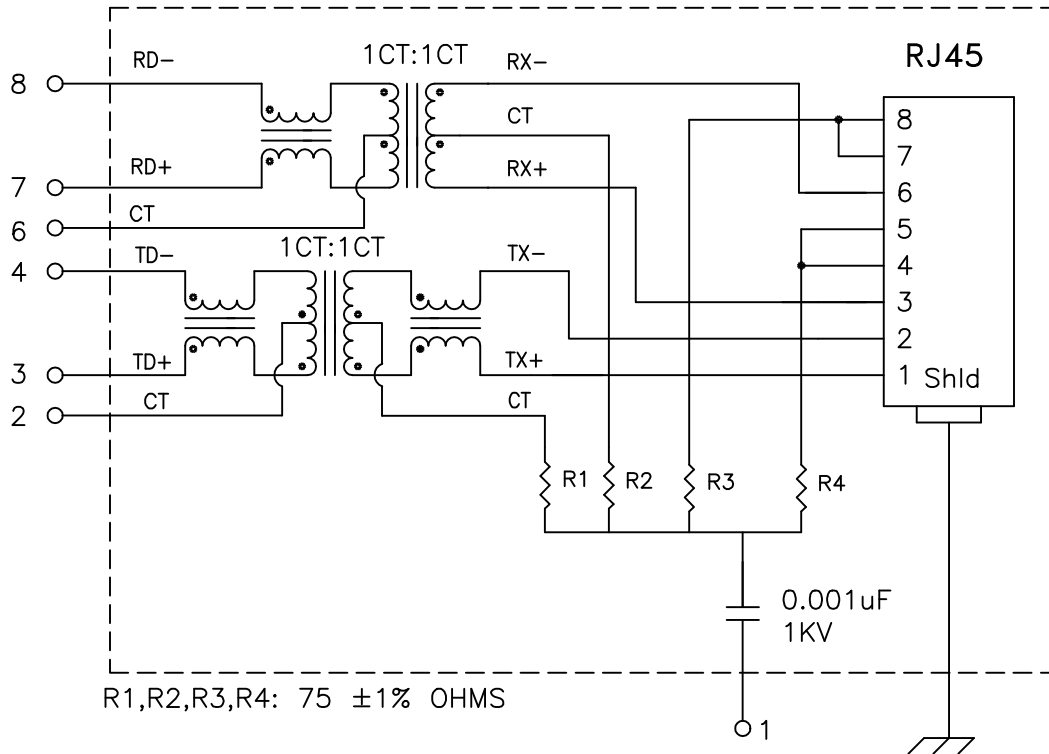


Schematic:



Electrical Specifications: @25°C

Isolation Voltage: 1500Vrms(INPUT to OUTPUT), 500Vrms(TD to RD)

UTP SIDE OCL: 350uH Min @100KHz 100mV 8mA DC

Rise Time (10–90%): 2.5ns Typical

Insertion Loss (300KHz–100MHz): –1.1dB Maximum

Insertion Loss (100MHz–125MHz): –1.5dB Maximum

Return Loss: –18dB Min. @30MHz

–12dB Min. @80MHz

Crosstalk:

100KHz–60MHz –40dB Typical

60MHz–100MHz –38dB Typical

Common Mode to Differential Mode Rejection:

100KHz–60MHz –45dB Typ (Tx) / –40dB Typ (Rx)

60MHz–100MHz –40dB Typ (Tx) / –35dB Typ (Rx)

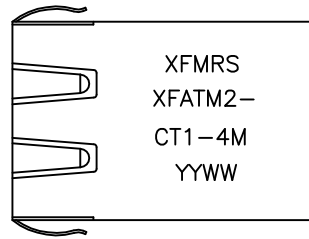
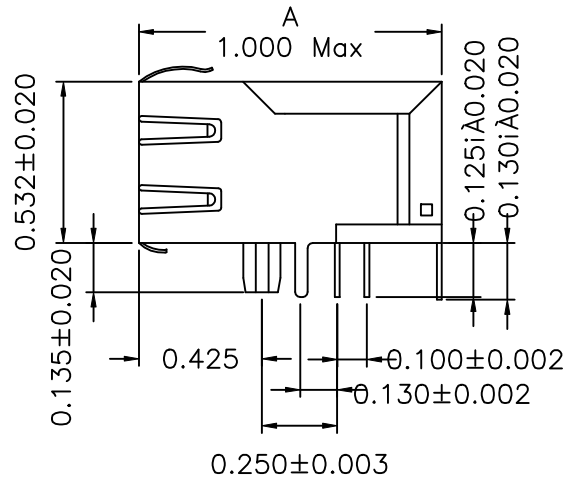
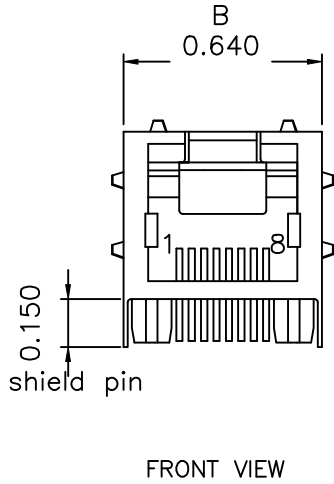
Notes:

1. Solderability: Leads shall meet MIL–STD–202, Method 208D for solderability.
2. Flammability: UL94V–0
3. ASTM oxygen index: > 28%
4. Insulation System: Class F 155°C. UL file E151556
5. Operating Temperature Range: All listed parameters are to be within tolerance from 0°C to +70°C
6. Storage Temperature Range: –55°C to +125°C
7. Aqueous wash compatible

DOC. REV A/3

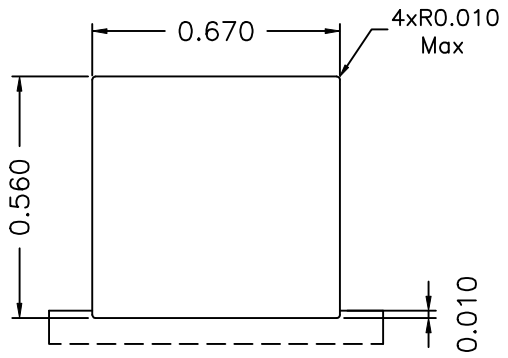
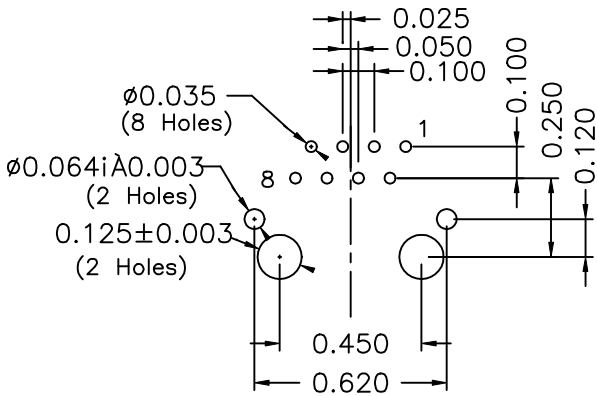
XFMRS Inc.		Title: SINGLE PORT TAB–UP COMBO	
UNLESS OTHERWISE SPECIFIED	P/N: XFATM2–CT1–4M	REV. A	
TOLERANCES: .xxx ±0.010	DWN.	李小锋	Dec–04–02
Dimensions in Inch	CHK.	廖玉坤	Dec–04–02
SHEET 1 OF 2	APP.	BW	Dec–04–02

Mechanical Dimensions:



TOP VIEW

Mounting Pattern:



FACE VIEW
RECOMMENDED PANEL CUTOUT

DOC. REV A/3

XFMR5 Inc.	Title: Mechanical Dimensions For TAB UB RJ45 COMBO		
UNLESS OTHERWISE SPECIFIED TOLERANCES: .xxx ±0.010 Dimensions in Inch	P/N: XFATM2-CT1-4M		REV. A
	DWN.	李小锋	Dec-04-02
	CHK.	廖玉坤	Dec-04-02
	APP.	BW	Dec-04-02
SHEET 2 OF 2			