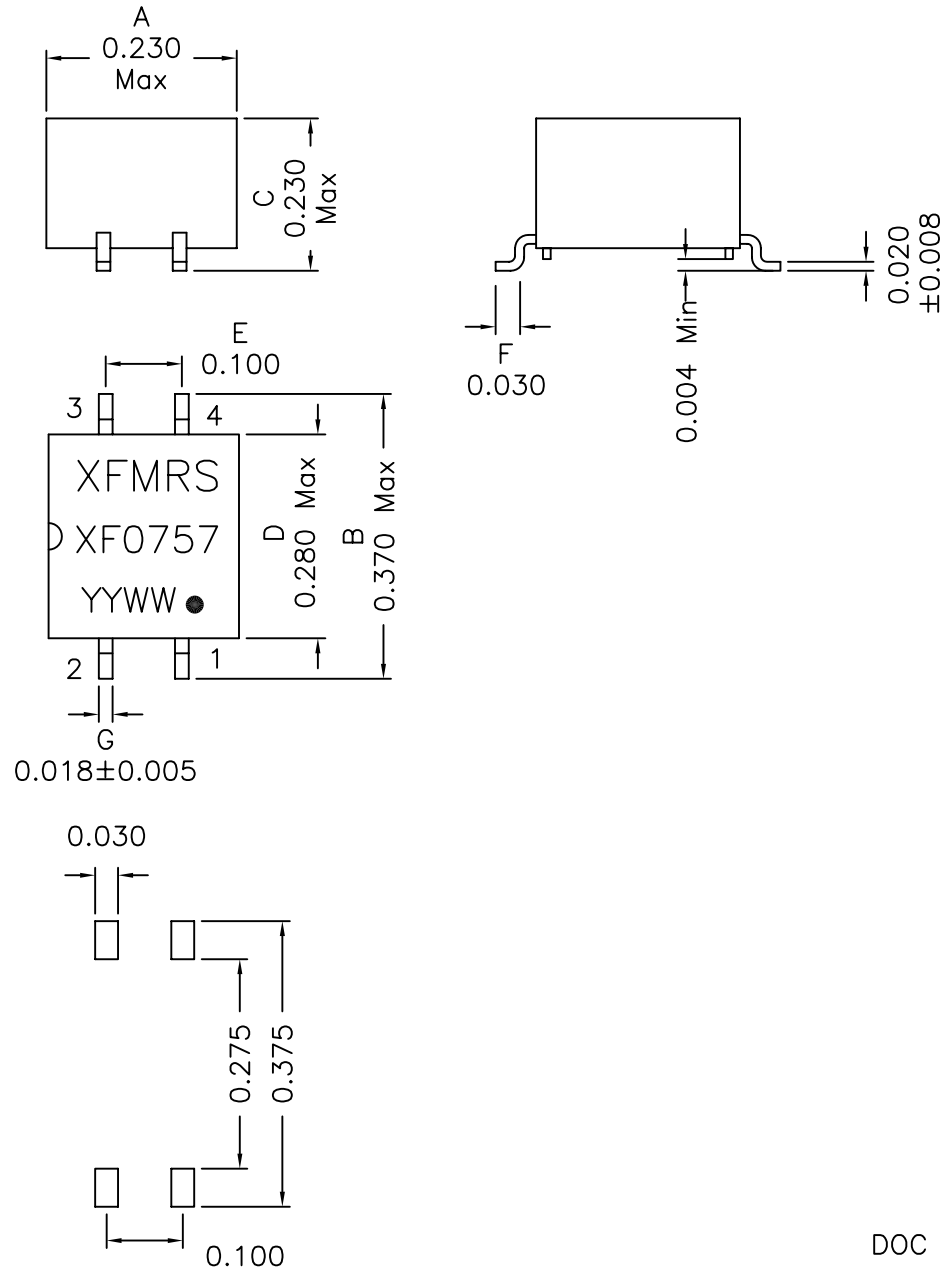
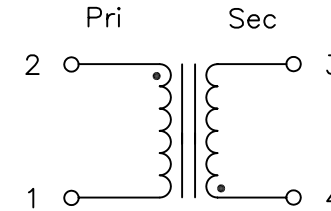


1. Mechanical Dimensions:



2. Schematic:



3. Electrical Specifications: @25°C

OCL: Pins 2-1 7.5uH Min @100KHz 20mVrms

Q: Pins 2-1 8 Min @100KHz 20mVrms

Cw/w: Pins 2-4 5pF Max @100KHz 1Vrms

LL: Pins 2-1 0.10uH Max @100KHz 1Vrms Short 4-3

DCR: 0.200 Ohms Max, Each Wdgs

Turns Ratio: (2-1):(4-3)=1:1±5%

Rise Time: Pins 4-3 0.5nS Max @20°C-80°C

Hipot: 1500Vrms for 2Sec, Pri to Sec

Notes:

- Solderability: Leads shall meet MIL-STD-202G, Method 208H for solderability.
- Flammability: UL94V-0
- ASTM oxygen index: > 28%
- Insulation System: Class F 155°C. UL file E151556
- Operating Temperature Range: All listed parameters are to be within tolerance from -40°C to +85°C
- Storage Temperature Range: -55°C to +125°C
- Aqueous wash compatible
- SMD Lead Coplanarity: ±0.004"(0.102mm)
- Electrical and mechanical specifications 100% tested
- RoHS Compliant Component

XFMR5 Inc www.XFMR5.com		Title: Fibre Channel Single Transformer For Use with 750hms coaxial or 1500hms STP Cable	
UNLESS OTHERWISE SPECIFIED TOLERANCES: .xxx ±0.010 Dimensions in INCH		P/N: XF0757-00SM	REV. A
		DWN.	Xianyi
		CHK.	YK Liao
		APP.	BW
SCALE 4:1 SHT 1 OF 1			Mar-12-09
			Mar-12-09
			Mar-12-09

DOC REV: A/4