

**P/N: VP2017 LF DATA SHEET**

Page : 1/2

**Feature**

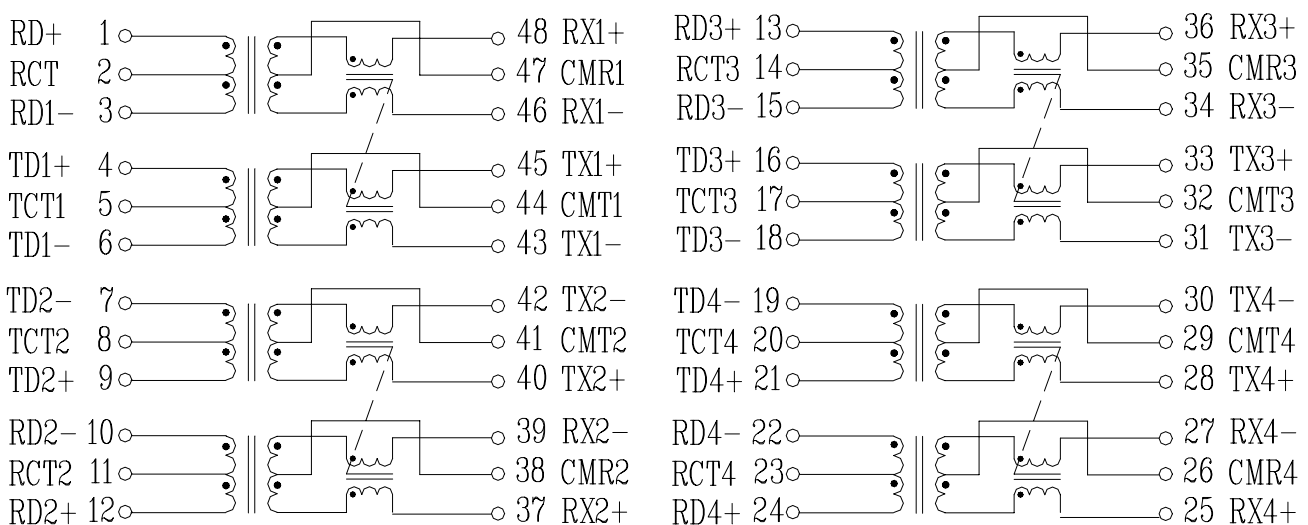
- IEEE 802.3af/ANSI X3.263 compliant performance.
- Suitable for End-span POE applications
- Designed for IP phone or switch applications.
- Suitable for Auto MDIX applications.
- Lead free for external pins.
- Operating temperature range: 0 to +70 .
- Storage temperature range: -25 to +125 .

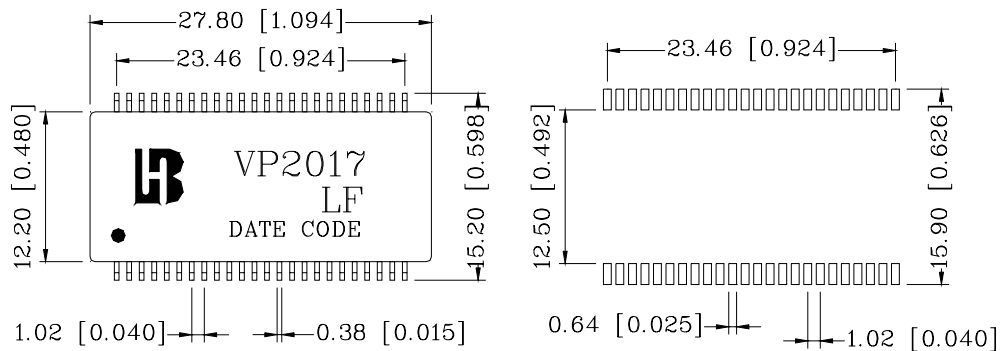
**Electrical Specifications @ 25°C**

Part Number	Turns Ratio (±5%)	OCL(uH Min) @ 100KHz/0.1V with 8mA DC Bias	Cross talk (dB Min)			HI-POT (Vrms)
			30MHz	60MHz	100MHz	
VP2017 LF	1CT:1CT	350	-45	-40	-35	1800

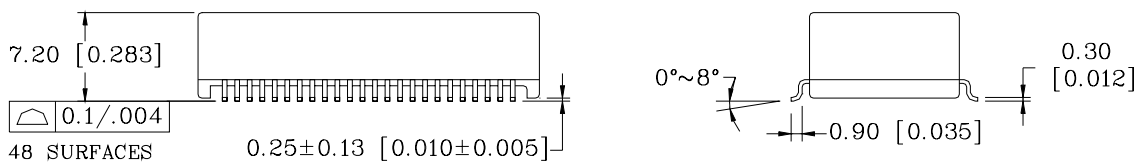
**Continue**

Part Number	Insertion Loss (dB Max)	Return Loss (dB Min)				DCMR (dB Min)		
		1-100MHz	1-30MHz	40MHz	50MHz	60-80MHz	30 MHz	60MHz
VP2017 LF	-1.2	-16	-14	-13	-12	-43	-37	-33

**Schematic**



SUGGESTED PAD LAYOUT



Units: mm [Inches] Tolerance: xx.x0±0.25 [0.010]  
 0.xx±0.05 [0.002]