



TS8121 LF

10/100 BASE-T ISOLATION TRANSFORMER  
P/N:TS8121 LF DATA SHEET

Feature



- Designed to meet IEEE 802.3u requirement ,including 350uH OCL with 8mA bias.
- Designed for reflow soldering at temperature up to 235 .
- Comply with RoHS requirements-whole part No Cd, No Hg, No Cr6+, No PBB and PBDE and No Pb on external pins.
- Comply with Air reflow profile of JEDEC 020C.
- Operating temperature range:0 to +70 .
- Storage temperature range:-25 to+125 .

Electrical Specifications @ 25°C

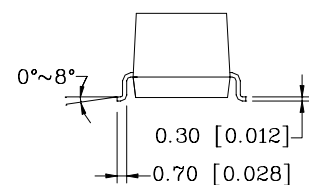
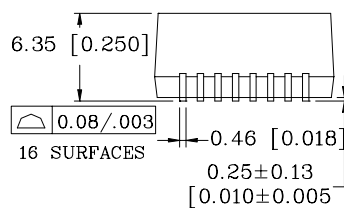
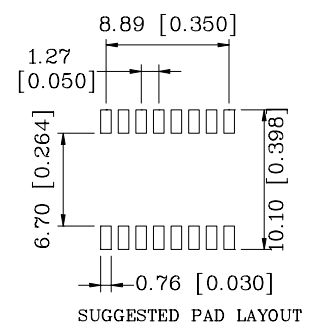
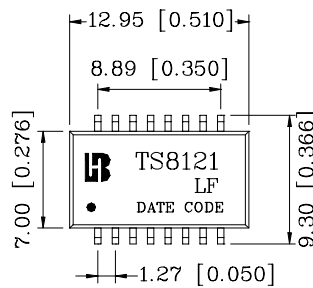
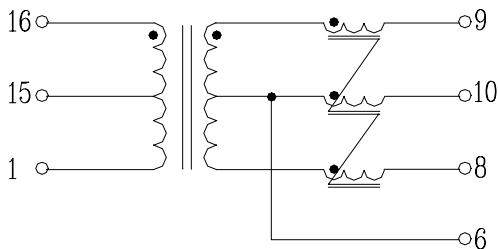
Part Number	Turns Ratio (±3%)	OCL (uH Min) @ 100KHz/0.1V with 8mA DC Bias	Cw/w (pF Max)	L.L (uH Max)	DCR ( Max)	HI-POT (Vrms)
TS8121 LF	1CT:1CT	350	28	0.4	0.9	1500

Continue

Part Number	Insertion Loss (dB Max)	Return Loss (dB Min)			Cross talk (dB Min)		DCMR (dB Min)		
		0.3-100 MHz	0.3-30MHz	60MHz	60-80MHz	0.3-60MHz	60-100MHz	30MHz	60MHz
TS8121 LF	-1.1	-17	-12	-10	-45	-35	-40	-35	-30

Schematic

Mechanical



Units: mm[Inches] all Tolerance are :±0.25[0.010]