



# Surface Mount Air Core Inductors **SMAC20 & 30**

Dimensions:  $\frac{\text{Inches}}{\text{(mm)}}$



### Features

- Excellent for high Q applications
- High SRF's for high frequency applications
- High current capability
- Flat top cap for pick and place assembly

### Electrical

**Impedance range:** 2.5nH to 43nH  
**Tolerance:** 2.5nH & 5.0nH 10%, 5.0nH to 43nH available in 5%, 8nH to 43nH available in 2%  
**Test Frequency:** 150Mhz  
**Operating Temp:** -40°C to +125°C

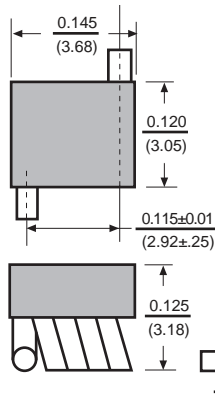
### Test Equipment

**(L/Q):** HP4291B with HP16193  
**(SRF):** HP8753E or HP8720D

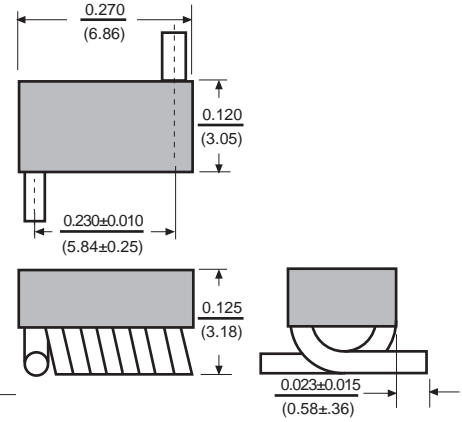
### Physical

**Packaging:** 2200 pieces per 13" reel  
**Marking:** None

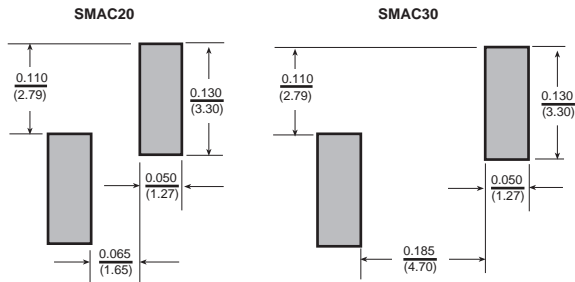
**SMAC20**



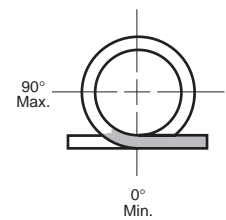
**SMAC30**



### Nominal Footprint



### Tinned Length



Allied Part Number	Turns	Inductance (nh)	Q Min.	Test Freq. (MHz)	SRF Min. (GHz)	DCR Max. (mΩ)	IDC A (Max.)
SMAC20-1-RC	1	2.5 ± 10%	145	150	12.5	1.1	4
SMAC20-2-RC	2	5.0 ± 10%	140	150	6.5	1.8	4
SMAC20-3-RC	3	8.0 ± 5%	140	150	5.0	2.6	4
SMAC20-4-RC	4	12.5 ± 5%	137	150	3.3	3.4	4
SMAC20-5-RC	5	18.5 ± 5%	132	150	2.5	3.9	4
SMAC30-6-RC	6	17.5 ± 5%	100	150	2.2	4.5	4
SMAC30-7-RC	7	22.0 ± 5%	102	150	2.1	5.2	4
SMAC30-8-RC	8	28.0 ± 5%	105	150	1.8	6.0	4
SMAC30-9-RC	9	35.5 ± 5%	112	150	1.5	6.8	4
SMAC30-10-RC	10	43.0 ± 5%	106	150	1.2	7.9	4

Available in tighter tolerances.  
 All specifications subject to change without notice.