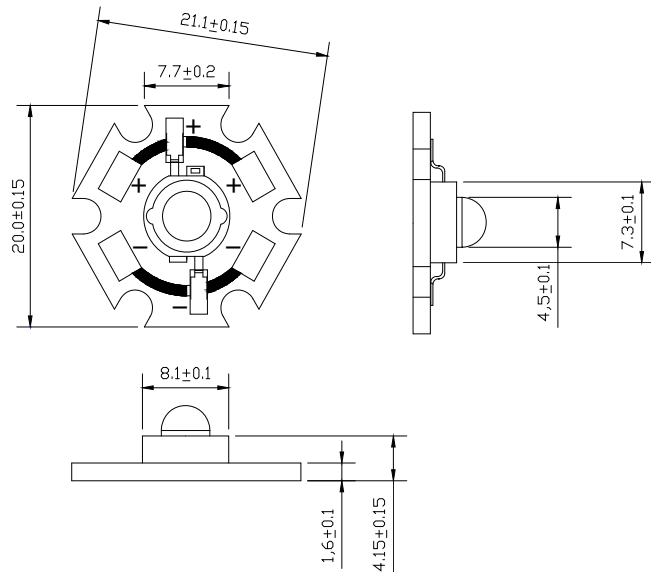


Part No. S12CREEW6

Features:

- Highest Flux White
- High reliability and Very long operating life
- Low voltage DC operated
- More Energy Efficient
- NO UV
- Superior ESD protection
- RoHS Compliant



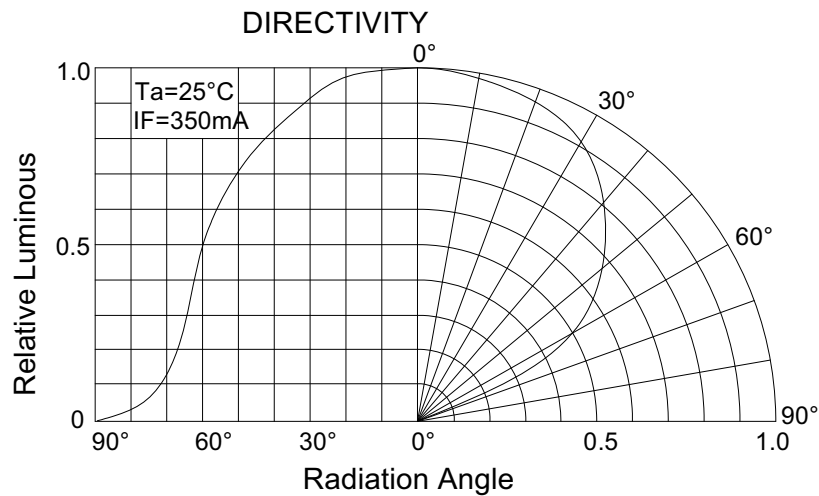
Unit: mm

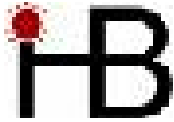
Typical Applications:

- Reading lights
- Portable
- Automotive Exterior
- Decorative

NOTE:

- All dimensions are millimeter.
- Tolerance is ± 0.1 mm unless otherwise noted





Part No.: S12CREEW6

Absolute maximum ratings (Ta = 25°C)

Parameter	Symbol	Test Condition	Value		Unit
			Min.	Max.	
DC Forward Current	IF	----	----	350	mA
Peak Pulse Current	Ipeak	Duty=0.1ms, 1kHz	----	500	mA
Power Dissipation	Pd	----	----	1.25	W
LED Junction Temperature	Tj	----	----	120	°C
Operating Temperature	Topr	----	-25	+80	°C
Storage Temperature	Tstr	----	-25	+100	°C
ESD Sensitivity	----	HBM	8000	----	V
Soldering Temperature	----	----	260°C for 5 Seconds max		

Electrical and optical characteristics (Ta = 25°C)

Parameter	Symbol	Test Condition	Value			Unit
			Min.	Typ.	Max.	
Forward Voltage	VF	IF = 350mA	3	3.4	4.0	V
Luminous Flux	Φv		----	85	----	lm
Viewing Angle	2θ 1/2		----	120	----	Deg.
Color Temperature	CCT		4500	----	----	K

Luminous Flux Bins (Ta = 25°C)

unit: lm

Bin	L	M
Min	70	80
Max	80	100

CCT Bins (Ta = 25°C)

unit: K

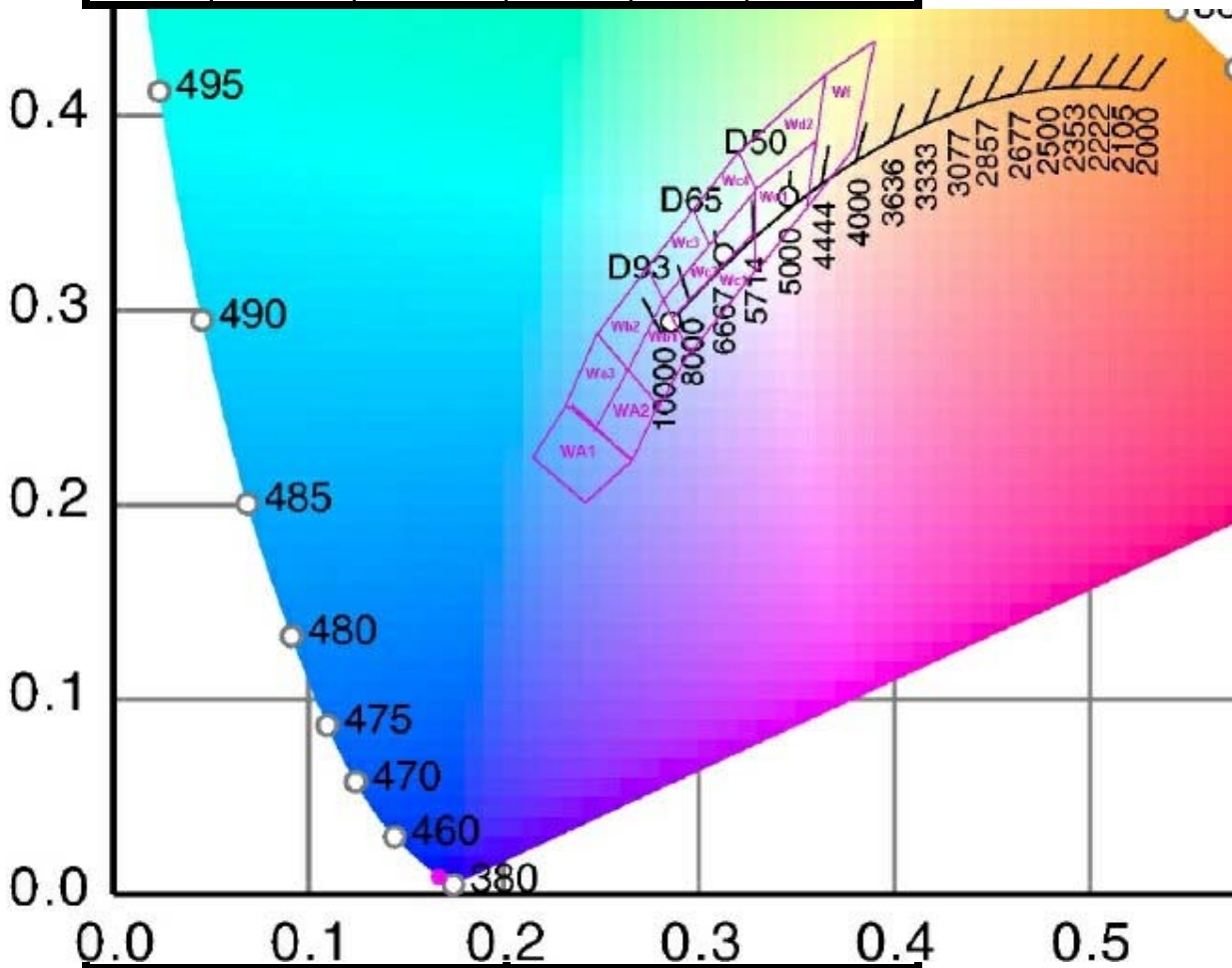
Bin	W5	W6	W7	W8	W9	W10
Min	4500	5000	5600	6300	7000	8000
Max	5000	5600	6300	7000	8000	9000

FLUX BIN FOR PIRANHA (UFO) LEDS

Bin Code	LM	Bin Code	LM	Bin Code	LM	Bin Code	LM
A	<=0.46	E	1.0-1.3	J	2.8-3.6	N	7.8-10.0
B	0.46-0.60	F	1.3-1.7	K	3.6-4.7	P	10-13
C	0.60-0.77	G	1.7-2.2	L	4.7-6.0	Q	13-17
D	0.77-1.0	H	2.2-2.8	M	6.0-7.8	R	17-22

FOR WHITE COLOR BINS SEE PAGE 3B

Placing of white color BINS on CIE table



FORWARD VOLTAGE (VF) BIN

Bin Code	VF (V)	Bin Code	VF (V)	Bin Code	VF (V)	Bin Code	VF (V)
V1	1.6-1.8	V5	2.4-2.6	V9	3.2-3.4	V13	4.0-4.2
V2	1.8-2.0	V6	2.6-2.8	V10	3.4-3.6	V14	4.2-4.4
V3	2.0-2.2	V7	2.8-3.0	V11	3.6-3.8	V15	4.4-4.6
V4	2.2-2.4	V8	3.0-3.2	V12	3.8-4.0	V16	4.6-4.8