

1.5A Glass Passivated Bridge Rectifier

Features

- Glass passivated chip junction
- High case dielectric strength
- Typical I_r less than $0.1\mu A$
- High surge current capability
- Ideal for printed circuit boards
- High temperature soldering guaranteed: $260^\circ C/10$ seconds
0.375" (9.5mm) lead length at 5lbs.(2.3kg) tension
- RoHS compliant



RB



Mechanical Data

Case:	RB, Epoxy meets UL 94V-0 flammability rating
Terminals:	Plated leads solderable per MIL-STD-750, Method 2026
Polarity:	As marked on case
Weight:	0.04 ounce, 1.1 grams

Maximum Ratings And Electrical Characteristics ($T_{amb}=25^\circ C$)

Symbols	Parameter	RB 151G	RB 152G	RB 153G	RB 154G	RB 155G	RB 156G	RB 157G	Unit	Conditions
VRRM	Maximum Repetitive Peak Reverse Voltage	50	100	200	400	600	800	1000	V	
VRMS	Maximum RMS Voltage	35	70	140	280	420	560	700	V	
VDC	Maximum DC Blocking Voltage	50	100	200	400	600	800	1000	V	
IF(AV)	Maximum Average Forward Rectified Current at 0.375" (9.5mm) lead length	1.5							A	$T_A=25^\circ C$
IFSM	Peak Forward Surge Current	50							A	8.3ms Single Sine-wave Superimposed on Rated Load (JEDEC Method)
I²t	Rating for Fusing ($t<8.3ms$)	10							A ² sec	

1.5A Glass Passivated Bridge Rectifier

RB151G - RB157G

Symbols	Parameter	RB 151G	RB 152G	RB 153G	RB 154G	RB 155G	RB 156G	RB 157G	Unit	Conditions
V_F	Maximum Instantaneous Forward Voltage Drop per leg	1.0							V	I _F =1.0A
I_R	Maximum DC Reverse Current at Rated DC Blocking Voltage per leg	5.0							μA	TA=25°C
		500								TA=125°C
C_J	Typical Junction Capacitance per leg	14							pF	V _R =4V, f=1MHz
R_{θJA}	Typical Thermal Resistance per leg	36							°C/W	Note 1
R_{θJL}		11								
T_J, T_{STG}	Operating Junction and Storage Temperature Range	-55 to +150							°C	

Note: 1. Thermal resistance from junction to ambient and from junction to lead at 0.375" (9.5mm) lead length P.C.B. mounting.
P.C.B. size 0.22 x 0.22" (5.5 x 5.5mm).

Rating and Characteristic Curves

Fig.1- Derating Curve Output Rectified Current

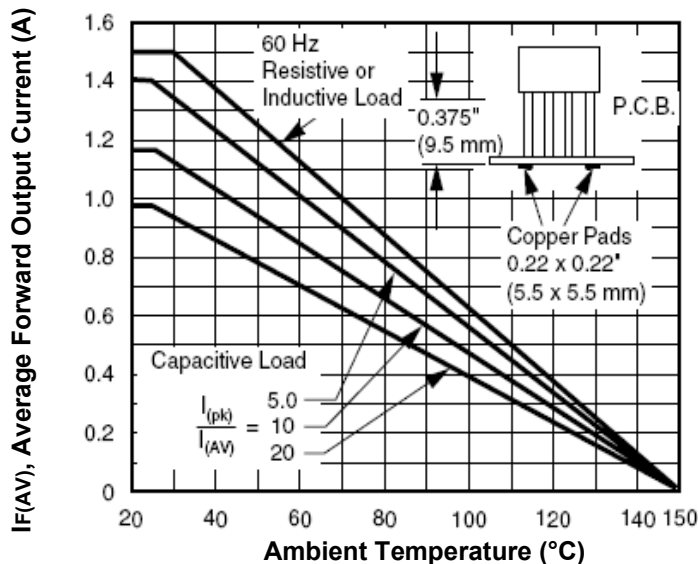
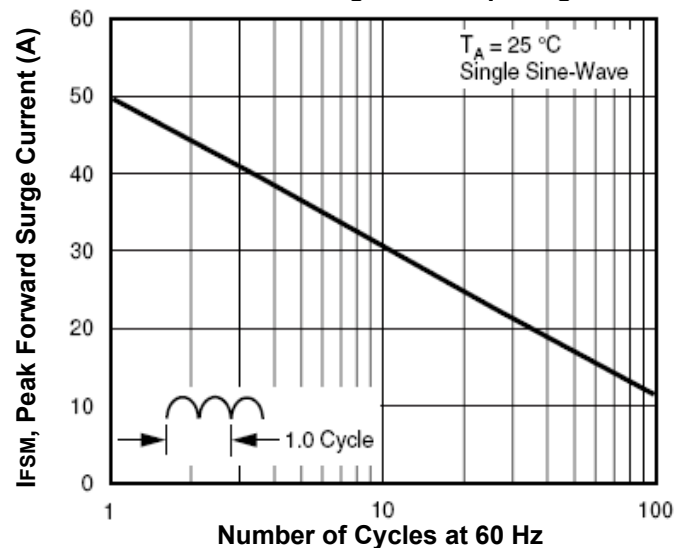


Fig.2-Maximum Non-Repetitive Peak Forward Surge Current per leg



1.5A Glass Passivated Bridge Rectifier

RB151G - RB157G

Fig.3-Typical Forward Characteristics per leg

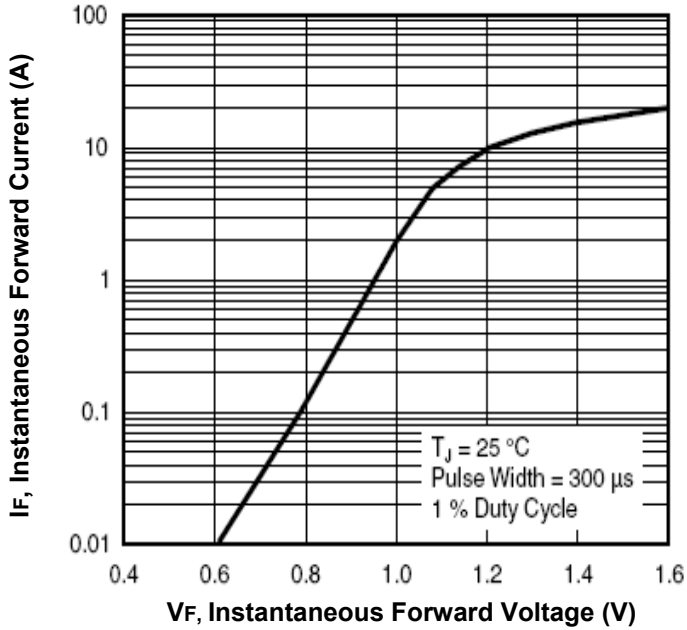


Fig.4-Typical Reverse Leakage Characteristics per leg

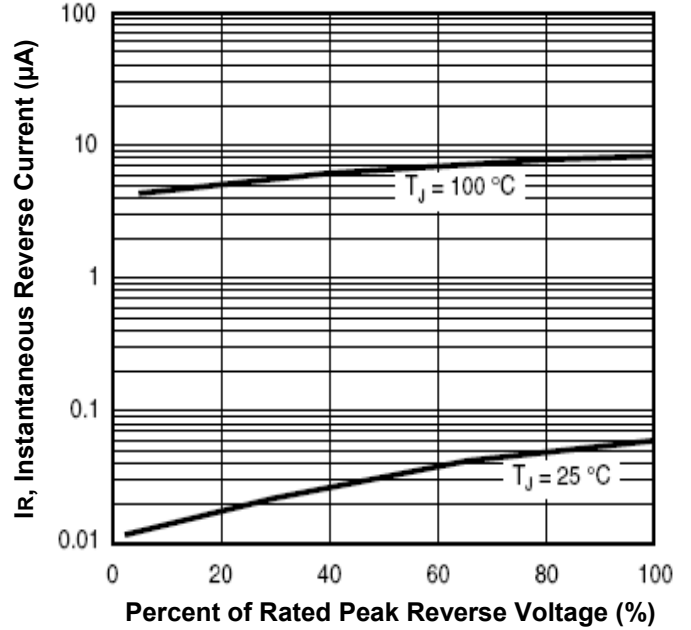
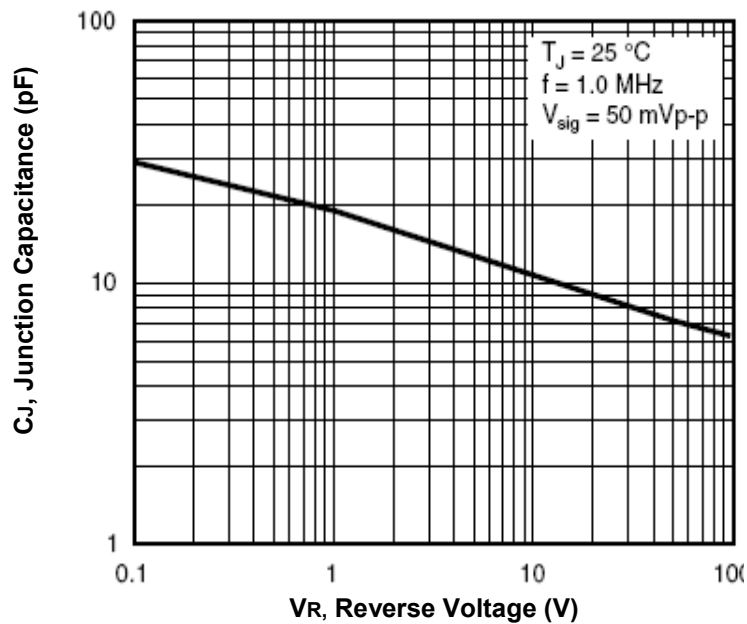


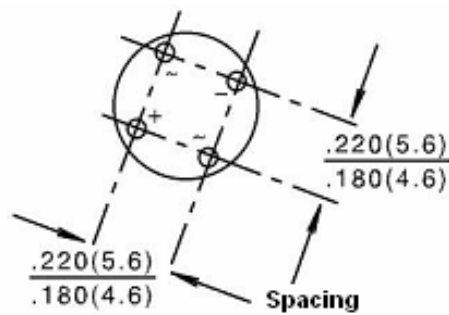
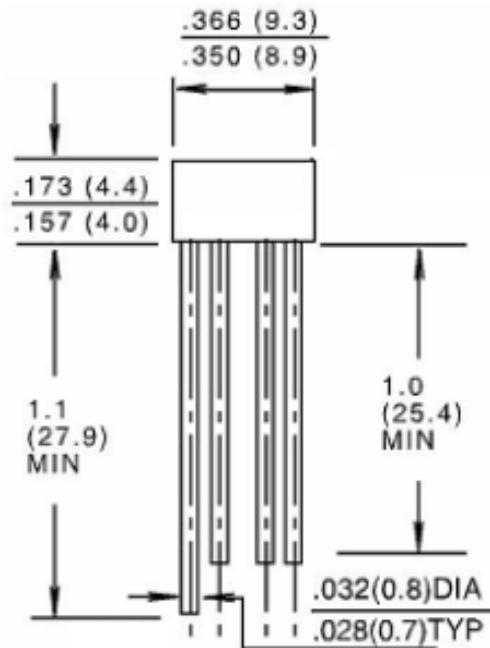
Fig.5-Typical Junction Capacitance per leg



1.5A Glass Passivated Bridge Rectifier

RB151G - RB157G

Dimensions in inch (mm)



RB

1.5A Glass Passivated Bridge Rectifier

RB151G - RB157G

How to contact us

US HEADQUARTERS

28040 WEST HARRISON PARKWAY, VALENCIA, CA 91355-4162

Tel: (800) TAITRON (800) 824-8766 (661) 257-6060

Fax: (800) TAITFAX (800) 824-8329 (661) 257-6415

Email: taitron@taitroncomponents.com

Http://www.taitroncomponents.com

TAITRON COMPONENTS MEXICO, S.A .DE C.V.

BOULEVARD CENTRAL 5000 INTERIOR 5 PARQUE INDUSTRIAL ATITALAQUIA, HIDALGO C.P.
42970 MEXICO

Tel: +52-55-5560-1519

Fax: +52-55-5560-2190

TAITRON COMPONENTS INCORPORATED REPRESENTAÇÕES DO BRASIL LTDA

RUA DOMINGOS DE MORAIS, 2777, 2.ANDAR, SALA 24 SAÚDE - SÃO PAULO-SP 04035-001 BRAZIL

Tel: +55-11-5574-7949

Fax: +55-11-5572-0052

TAITRON COMPONENTS INCORPORATED, SHANGHAI REPRESENTATIVE OFFICE

METROBANK PLAZA, 1160 WEST YAN' AN ROAD, SUITE 1503, SHANGHAI, 200052, CHINA

Tel: +86-21-5424-9942

Fax: +86-21-5424-9931