

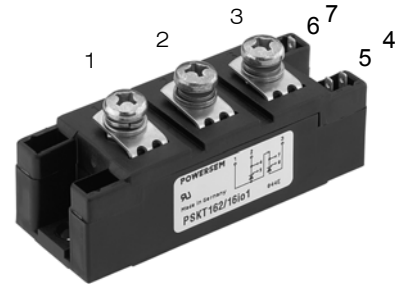
Thyristor Modules Thyristor/Diode Modules

PSKT 161
PSKH 161

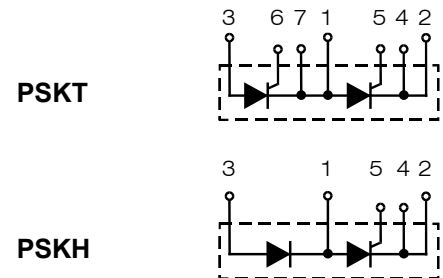
$I_{TRMS} = 2x 300 A$
 $I_{TAVM} = 2x 165 A$
 $V_{RRM} = 2000-2200 V$

Preliminary Data Sheet

V_{RSM}	V_{RRM}	Type	
V_{DSM}	V_{DRM}	Version 1	
V	V	Version 1	Version 1
2100	2000	PSKT 161/20io1	PSKH 161/20io1
2300	2200	PSKT 161/22io1	PSKH 161/22io1



Symbol	Test Conditions	Maximum Ratings	
I_{TRMS} I_{TAVM}	$T_{VJ} = T_{VJM}$ $T_C = 85^\circ C; 180^\circ$ sine	300	A
I_{TSM}	$T_{VJ} = 45^\circ C;$ $V_R = 0$	$t = 10$ ms (50 Hz)	6000 A
		$t = 8.3$ ms (60 Hz)	6400 A
i^2dt	$T_{VJ} = 45^\circ C$ $V_R = 0$	$t = 10$ ms (50 Hz)	180000 A ² s
		$t = 8.3$ ms (60 Hz)	170000 A ² s
$(di/dt)_{cr}$	$T_{VJ} = T_{VJM}$ $f = 50$ Hz, $t_p = 200$ μ s $V_D = 2/3 V_{DRM}$ $I_G = 0.5$ A, non repetitive, $I_T = I_{TAVM}$ $di_G/dt = 0.5$ A/ μ s	150	A/ μ s
		500	A/ μ s
$(dv/dt)_{cr}$	$T_{VJ} = T_{VJM}; V_{DR} = 2/3 V_{DRM}$ $R_{GK} = \infty$; method 1 (linear voltage rise)	1000	V/ μ s
P_{GM}	$T_{VJ} = T_{VJM}$ $I_T = I_{TAVM}$	$t_p = 30$ μ s	120 W
		$t_p = 500$ μ s	60 W
P_{GAV}		8	W
V_{RGM}		10	V
T_{VJ}		-40 ... 125	$^\circ C$
T_{VJM}		125	$^\circ C$
T_{stg}		-40 ... 125	$^\circ C$
V_{ISOL}	50/60 Hz, RMS $t = 1$ min $I_{ISOL} \leq 1$ mA $t = 1$ s	3000	V~
		3600	V~
M_d	Mounting torque (M6) Terminal connection torque (M6)	2.25-2.75/20-25	Nm/lb.in.
		4.5-5.5/40-48	Nm/lb.in.
Weight	Typical including screws	125	g



Features

- International standard package
- Direct copper bonded Al_2O_3 -ceramic base plate
- Planar passivated chips
- Isolation voltage 3600 V~
- UL registered, E 148688
- Keyed gate/cathode twin pins

Applications

- Motor control
- Power converter
- Heat and temperature control for industrial furnaces and chemical processes
- Lighting control
- Contactless switches

Advantages

- Space and weight savings
- Simple mounting with two screws
- Improved temperature and power cycling capability
- Reduced protection circuits

Data according to IEC 60747 and refer to a single thyristor/diode unless otherwise stated.

Symbol	Test Conditions	Characteristic Values	
I_{RRM}, I_{DRM}	$T_{VJ} = T_{VJM}; V_R = V_{RRM}$	40	mA
V_T	$I_T = 300 \text{ A}; T_{VJ} = 25^\circ\text{C}$	1.36	V
V_{T0}	For power-loss calculations only ($T_{VJ} = T_{VJM}$)	0.8	V
r_T		1.6	m Ω
V_{GT}	$V_D = 6 \text{ V}; T_{VJ} = 25^\circ\text{C}$	2	V
	$T_{VJ} = -40^\circ\text{C}$	2.6	V
I_{GT}	$V_D = 6 \text{ V}; T_{VJ} = 25^\circ\text{C}$	150	mA
	$T_{VJ} = -40^\circ\text{C}$	200	mA
V_{GD}	$T_{VJ} = T_{VJM}; V_D = 2/3 V_{DRM}$	0.25	V
I_{GD}	$T_{VJ} = T_{VJM}; V_D = 2/3 V_{DRM}$	10	mA
I_L	$T_{VJ} = 25^\circ\text{C}; V_D = 6 \text{ V}; t_p = 30 \mu\text{s}$ $di_G/dt = 0.45 \text{ A}/\mu\text{s}; I_G = 0.45 \text{ A}$	200	mA
I_H	$T_{VJ} = 25^\circ\text{C}; V_D = 6 \text{ V}; R_{GK} = \infty$	150	mA
t_{gd}	$T_{VJ} = 25^\circ\text{C}; V_D = 1/2 V_{DRM}$ $di_G/dt = 0.5 \text{ A}/\mu\text{s}; I_G = 0.5 \text{ A}$	2	μs
t_q	$T_{VJ} = T_{VJM}; V_R = 100 \text{ V}; V_D = 2/3 V_{DRM}; t_p = 200 \mu\text{s}$ typ. $dv/dt = 20 \text{ V}/\mu\text{s}; I_T = 160 \text{ A}; -di/dt = 10 \text{ A}/\mu\text{s}$	150	μs
Q_S	$T_{VJ} = T_{VJM}$ $-di/dt = 50 \text{ A}/\mu\text{s}; I_T = 300 \text{ A}$	550	μC
I_{RM}		235	A
R_{thJC}	per thyristor; DC current	0.155	K/W
	per module	0.078	K/W
R_{thJK}	per thyristor; DC current	0.225	K/W
	per module	0.113	K/W
d_s	Creeping distance on surface	12.7	mm
d_A	Creepage distance in air	9.6	mm
a	Maximum allowable acceleration	50	m/s ²

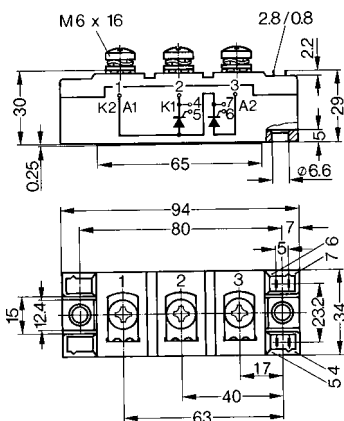
Optional accessories for modules

Keyed gate/cathode twin plugs with wire length = 350 mm, gate = yellow, cathode = red

Type **ZY 180L** (L = Left for pin pair 4/5) } UL 758, style 1385,

Type **ZY 180R** (R = right for pin pair 6/7) } CSA class 5851, guide 460-1-1

Dimensions in mm (1 mm = 0.0394")



R_{thJC} for various conduction angles d :

d	R_{thJC} (K/W)
DC	0.155
180°	0.167
120°	0.175
60°	0.197
30°	0.226

Constants for Z_{thJC} calculation:

i	R_{thi} (K/W)	t_i (s)
1	0.0072	0.001
2	0.0188	0.08
3	0.129	0.2

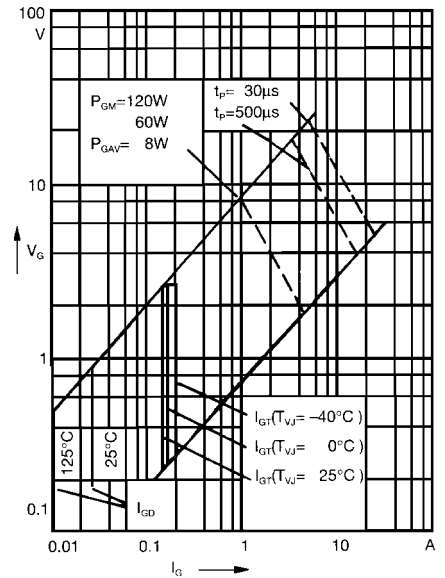


Fig. 1 Gate trigger characteristics

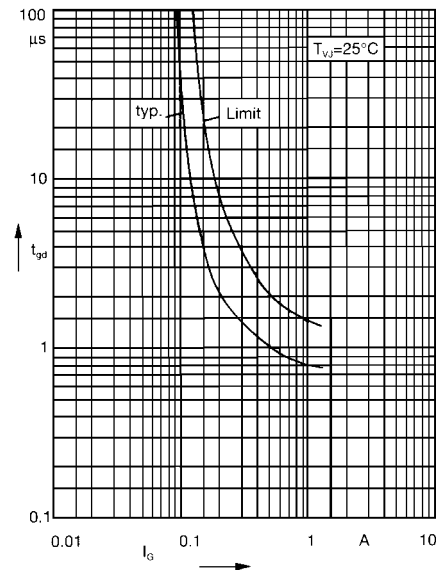


Fig. 2 Gate trigger delay time

R_{thJK} for various conduction angles d :

d	R_{thJK} (K/W)
DC	0.225
180°	0.237
120°	0.245
60°	0.262
30°	0.296

Constants for Z_{thJK} calculation:

i	R_{thi} (K/W)	t_i (s)
1	0.0072	0.001
2	0.0188	0.08
3	0.129	0.2
4	0.07	1.0