



Video

### HD-SDI Video and Ethernet Transmission

The OTS-1HD1ETR provides for the digital transmission of 1 Channel of HD-SDI Video with Loopback and 1 Channel of Duplex 10/100 Ethernet, at absolute broadcast quality.

### System Design

All units come in an insert card version. The cards can be inserted into our 16-slot, 19" rack-mountable card cage (OT-CC-16-100) or one of our smaller Optiva™ Desktop Card Racks (OT-DTCR Series).

Audio

Data



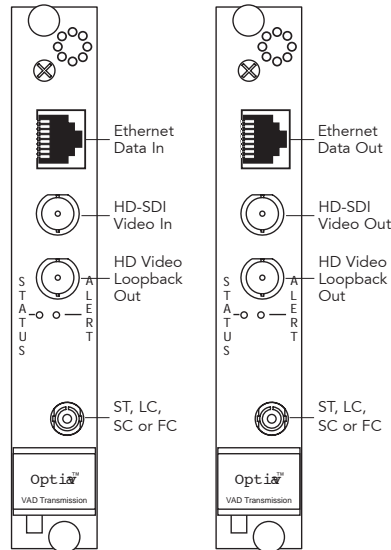
Ethernet

The Optiva™ Desktop Card Racks can handle one, two or four insert cards, creating compact, mountable, stand alone systems. The use of separate OT-DTCR enclosures allows for future flexibility and expansion as all cards are hot-swappable and can be used in any enclosure. Each one of our card housing units operate with an appropriate power supply. See "Accessories" for power supply specifications.

### Optiva™ Upgrade Path

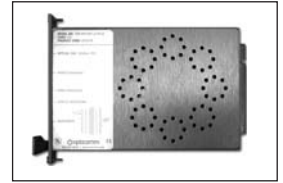
This system can be purchased without an optical port as an add-on to an existing Optiva™ system daisy-chain. (See "Non-Optical Version" below).

**The Optiva™ bandwidth requirement of this system is 2,056 Mbps.**



OTS-1HDT1ETR

OTS-1HDR1ERT



Each insert card comes with a label identifying the specific protocols handled, connector pin-out and other vital information.

For optimal bandwidth allocation, each insert card can daisy-chain with an additional card in the same chassis. See "Optiva™ Upgrade Path".

### Features

- Uncompressed HD-SDI Video over one fiber
- TDM - Single fiber, dual wavelength
- Complies with SMPTE standards for Video transmission
- Compatible with MDM-7000 Series for WDM and CWDM multiplexing
- No EMI or RFI and no ground loops
- Stand alone or rack-mount
- Ideal for Broadcast/Studio and Professional AV applications

### Versions Available\*

Wavelength (nm) & Fiber	Transmit/Receive**	Receive/Transmit**	Optical Connector	Optical Budget (dB)	Range*** (km)	Form Factor
1310/1550 Multimode	OTS-1HDT1ETR-B1/B3M-XX-IC	OTS-1HDR1ERT-B3M/B1-XX-IC	ST, FC, LC or SC	10	1.5	IC (1-slot)
1310/1550 Singlemode	OTS-1HDT1ETR-B2/B3-XX-IC	OTS-1HDR1ERT-B3/B2-XX-IC	ST, FC, LC or SC	12	20	IC (1-slot)
1310/1550 Singlemode (b)	OTS-1HDT1ETR-B2/B3D-XX-IC	OTS-1HDR1ERT-B3D/B2-XX-IC	ST, FC, LC or SC	17	40	IC (1-slot)
1310/1550 Singlemode (H)	OTS-1HDT1ETR-B2/B3H-XX-IC	OTS-1HDR1ERT-B3H/B2-XX-IC	ST, FC, LC or SC	25	60	IC (1-slot)
1270-1610 SM (CWDM)	OTS-1HDT1ETR-L4/L4-XX-IC	OTS-1HDR1ERT-L4/L4-XX-IC	ST, FC, LC or SC	Varies	20-70	IC (1-slot)
<b>Non-Optical Version</b>	OTS-1HDT2DTR-NOC-IC	OTS-1HDR2DTR-NOC-IC	N/A	N/A	N/A	IC (1-slot)

Serial Data Codes - "D" indicates RS-232. For other Serial Data preferences, please use: "DJ" = RS-422; "DK" = RS-485 (2W); and "DW" = RS-485 (4W).

\* Contact Opticomm for other versions available.

\*\* XX indicates the type of optical connector. Each of ST, FC, LC or SC are available.

\*\*\* Chromatic dispersion and additional losses should be taken into account.

## Video

Standard	SMPTE 292 & 259
Pathological Test Code	RP-178
Nominal Bit Rate	1.485 Gbps; 270 Mbps
Bit error rate	10 <sup>-14</sup>
Connector	BNC (IEC 60169-8 Gold Plated)

## Data

Standard	Ethernet IEEE 802.3 (Auto-Negotiation)
Data Rate	10/100 Mbps
Connector	RJ-45

## General

Dimensions & Weight	Insert Card (IC): 6.3" L x 0.8" W x 4.0" H	11 oz
Operating temperature	-20° C to +55° C	
Storage temperature	-40° C to +85° C	
Humidity	0 to 95% non-condensing	
Operating voltage	9-12 V <sub>DC</sub>	
Consumption	1 Amp Max per Insert Card	
System Latency	Less than 1ms	

**Local Monitoring** LED Status Indication

**Remote Monitoring** Compatible with OptivaView™  
SNMP Management Suite

Optiva™ Configurable Communication Platform
Network Management
<b>SDI &amp; HD-SDI</b>
Composite Video, Audio & Data
RGB/VGA/DVI
Audio/FSK/Intercom
Data (Ethernet/Serial/USB)
CATV/RF & L-Band
Optical Switching, Routing & Redundancy
Passive Multiplexing Solutions
Enclosures, Racks & Frames
Power Supplies & Accessories

**10 YEAR WARRANTY** **ISO 9001:2000 CERTIFIED**



**FCC PART 15 COMPLIANT**

MADE IN THE USA

## Sample Configuration

