



# 1000 BASE –T QUAD PORT MAGNETICS MODULES

## P/N: G4P109-D DATA SHEET

### Feature



- Designed for Ethernet 1000 BASE-T, full Quad port applications.
- Supports 16 pairs of category 5 UTP cable.
- Cable interface for isolation and low common mode emissions.
- Compliant with IEEE 802.3ab standard for 1000 BASE-T.
- Operating temperature range: 0°C to +70°C.
- Storage temperature range: -25°C to +105°C.

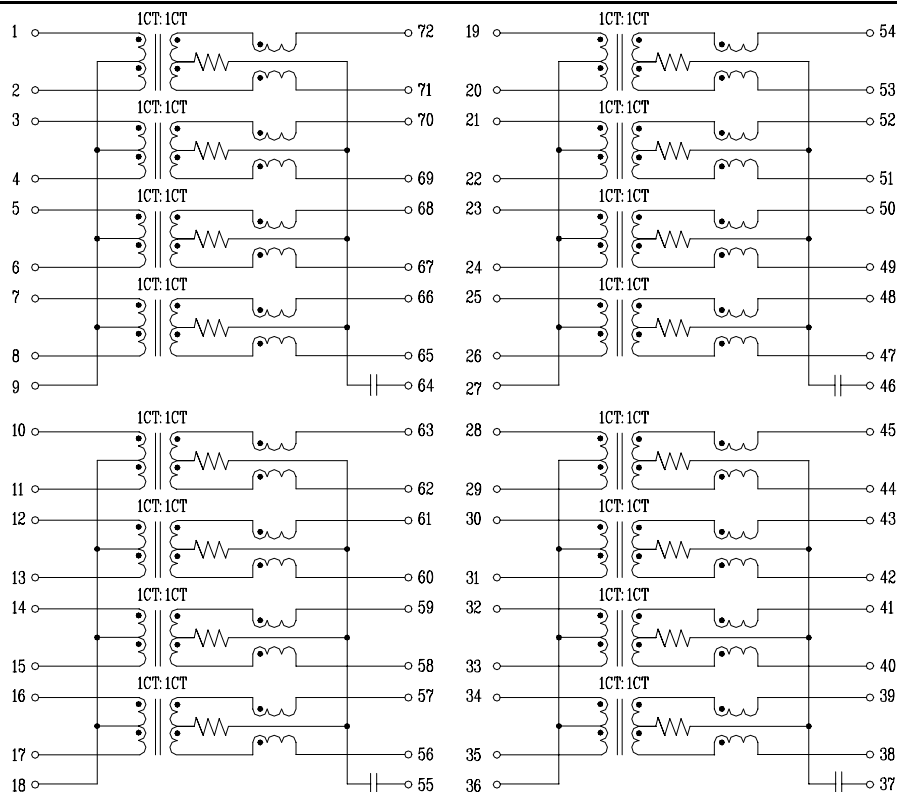
### Electrical Specifications @ 25°C

| Part Number | Turns Ratio<br>(±5%) |         | Cross talk Attenuation<br>(dB Min) |       |        | HI-POT<br>(V <sub>DC</sub> /60S) |
|-------------|----------------------|---------|------------------------------------|-------|--------|----------------------------------|
|             | TX                   | RX      | 30MHz                              | 60MHz | 100MHz |                                  |
| G4P109-D    | 1CT:1CT              | 1CT:1CT | -40                                | -35   | -30    | 2250                             |

### Continue

| Part Number | Insertion Loss<br>(dB Max) | Return Loss<br>(dB Min)@ Load 100Ω |         |       |       |          | DCMR<br>(dB Min) |       |       |
|-------------|----------------------------|------------------------------------|---------|-------|-------|----------|------------------|-------|-------|
|             |                            | 1-100MHz                           | 1-30MHz | 40MHz | 50MHz | 60-80MHz | 100MHz           | 30MHz | 60MHz |
| G4P109-D    | -1.0                       | -18                                | -14.4   | -13.1 | -12   | -10      | -40              | -35   | -30   |

### Schematic

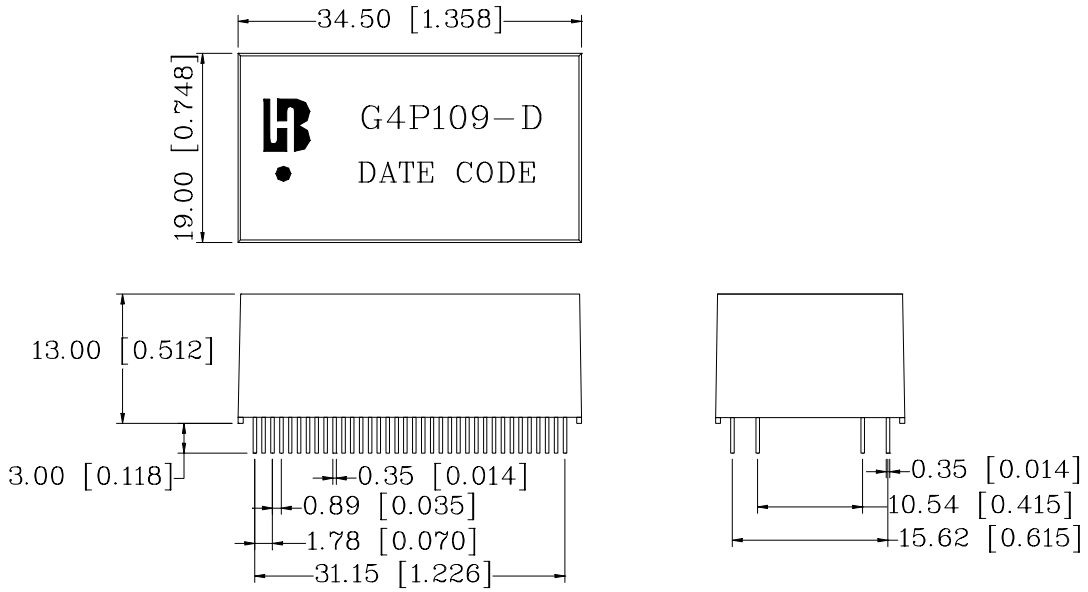




# 1000 BASE -T QUAD PORT MAGNETICS MODULES

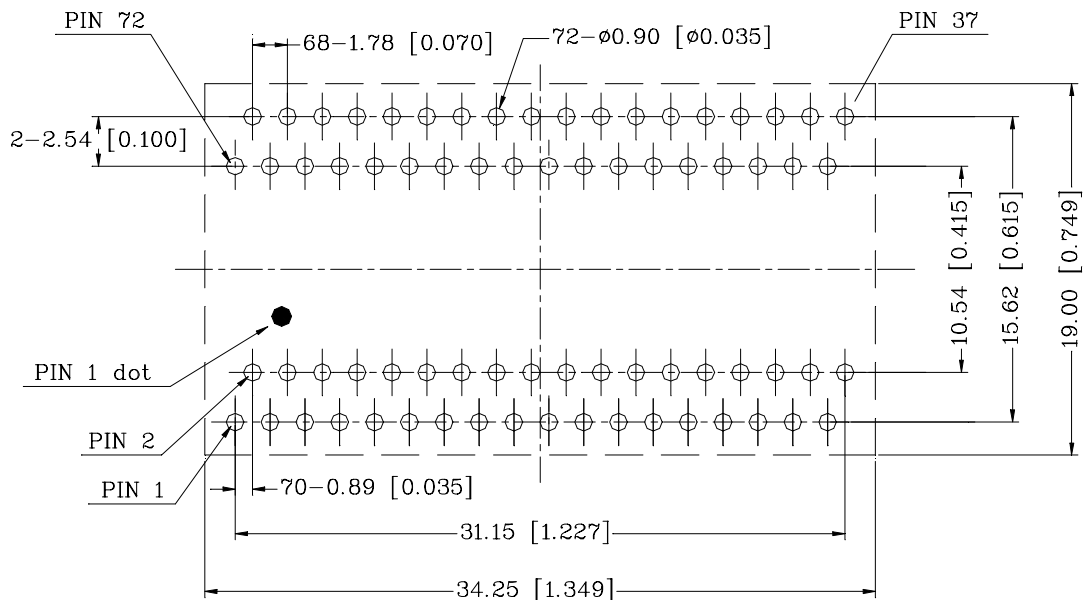
## P/N: G4P109-D DATA SHEET

### Mechanical



Units: mm[Inches] Tolerance: xx.x0±0.25[0.010]  
 0.xx±0.05[0.002]

### PCB Layout mounting Hole ( Top View)



Units: mm[Inches] Tolerances: xx.x0±0.25[0.010]  
 0.xx±0.05[0.002]