

2A, 16V, 380KHz Step-Down Converter

DESCRIPTION

The EUP3454 are current mode, step-down switching regulator capable of driving 2A continuous load with excellent line and load regulation. The EUP3454 can operate with an input voltage range from 4.5V to 16V and the output can be externally set from 1.2V to 12V with a resistor divider.

Fault condition protection includes cycle-by-cycle current limiting and thermal shutdown. In shutdown mode the regulator draws 25 μ A of supply current.

The EUP3454 require a minimum number of external components.

FEATURES

- 30V Input Surge Protection
- Up to 2A Output Current
- 0.17 Internal DMOS Output Switch
- 4.5V to 16V Input Operating Range
- Output Adjustable from 1.2V to 12V
- Up to 95% Efficiency
- 25 μ A Shutdown Current
- Fixed 380KHz Frequency
- Thermal Shutdown and Overcurrent Protection
- Input Supply Overvoltage and Undervoltage Lockout
- Soft Start
- Available in SOP-8 Package
- RoHS Compliant and 100% Lead(Pb)-Free

APPLICATIONS

- PC Monitors
- Distributed Power Systems
- Networking Systems
- Portable Electronics

Typical Application Circuit

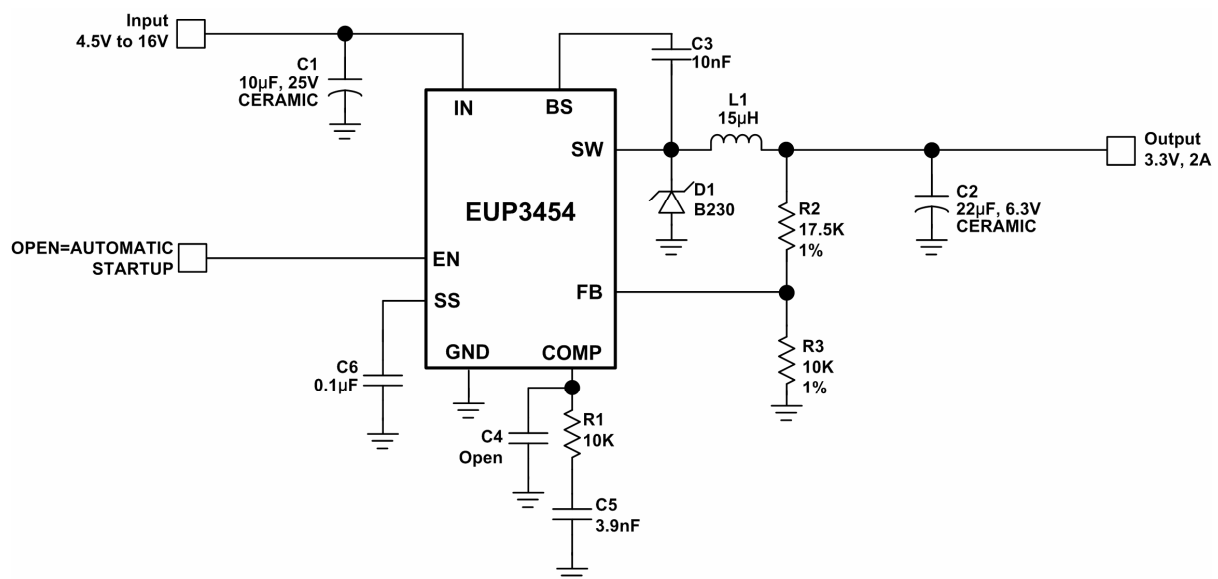


Figure 1. Typical Application Circuit with Ceramic Capacitors