



CONNOR-WINFIELD CORPORATION

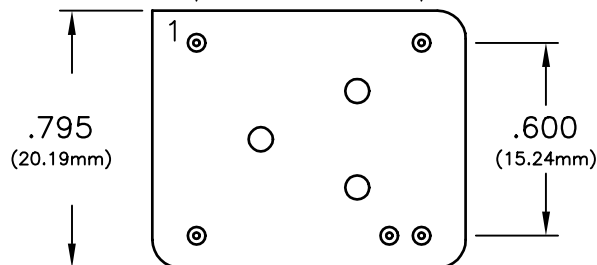
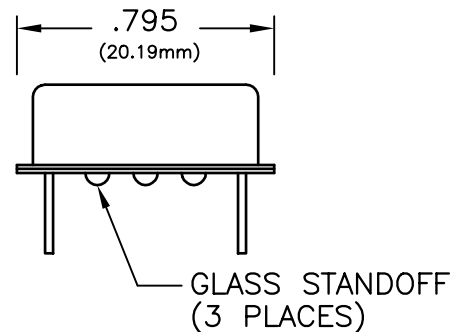
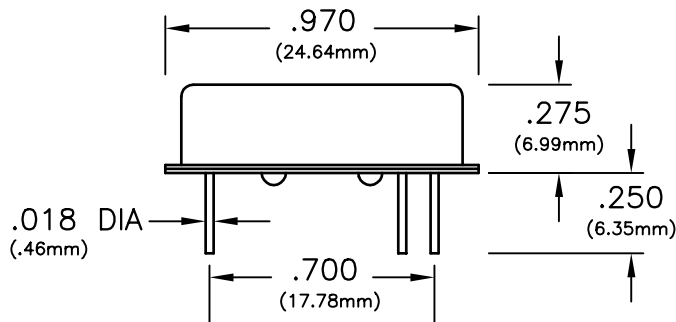
AURORA, IL. 60505

PHONE (630) 851-4722

FAX (630) 851-5040

16 PIN DIP ECL VCXO

SPECIFICATIONS	EDV54-080-11	EDV64-080-11
Frequency	155.52 MHz	
Frequency Tolerance	±20ppm	
Temperature Range	0°C to +70°C	-40°C to +85°C
Output	Waveform ECL Squarewave , 100K Compatible	
	Voltage Voh -1.04 Min , -0.95 Typ , -0.85 Max	
	Vol -1.90 Min , -1.80 Typ , -1.60 Max	
	Duty Cycle 40/60 Maximum measured at 50% level	
	Rise/Fall Time 1.5nS Maximum	
Frequency Control	Negative Transfer Characteristic	
Control Voltage	0 to -5Vdc	
Deviation	±40ppm Minimum	
Center Frequency	-2Vdc to -3Vdc	
Linearity	±15%	
Modulation	DC to 1KHz	
Modulation Input Z	> 50K Ohms	
Supply Voltage	-4.5Vdc ±5%	
Supply Current	70mA Maximum	
Package	All metal, hermetically sealed, welded package	



PIN	CONNECTION
1	CONTROL VOLTAGE
8	Vee
9	OUTPUT
10	COMPLEMENTARY OUTPUT
16	Vcc (CASE GROUND)

Dimensional Tolerance: ±.005

Specifications subject to change without notice

BULLETIN #: VX121
PAGE 1 OF 1

REV: 01
DATE: 11/14/97

ISSUED BY: _____