

## DC COOLING FAN

60x60x25mm

- Voltage: 5 & 12 VDC
- Bearing options: Ball, Sleeve or Oil Bearing
- Material on housing: Plastic Housing to UL94V-0
- Airflow range: 13.2 - 28.3 CFM
- Suitable for Small Space Cooling
- Spot Cooling



## SPECIFICATION

Part No.	Bearing	Voltage(V)	Current(A)	Power (W)	Speed(RPM)	Air flow(CFM )	Pressure(mmAq)	Noise(dB/A)	Weight(g)
DBF6025x05M	Ball, Sleeve, Oil	5	0.32	1.60	3500	18.0	3.00	24.0	58
DBF6025x05L	Ball, Sleeve, Oil	5	0.22	1.10	2500	13.2	1.60	16.1	58
DBF6025x12U	Sleeve, Oil	12	0.25	3.00	5300	28.3	6.35	37.0	58
DBF6025B12U	Ball	12	0.22	2.64	5300	28.3	6.35	37.0	58
DBF6025x12H	Ball, Sleeve, Oil	12	0.23	2.76	4500	23.2	4.78	32.3	58
DBF6025x12M	Ball, Sleeve, Oil	12	0.14	1.68	3500	18.0	3.00	24.0	58
DBF6025x12L	Ball ,Sleeve, Oil	12	0.08	0.96	2500	13.2	1.60	16.1	58

Impeller: Plastic (UL;94V-0)

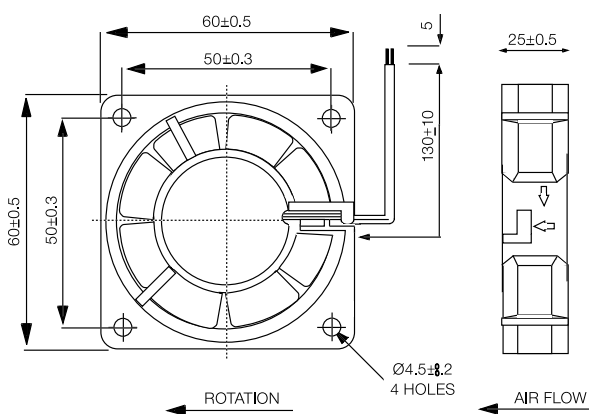
Lead Wire: UL1007 AWG24

Protection: Current Limit

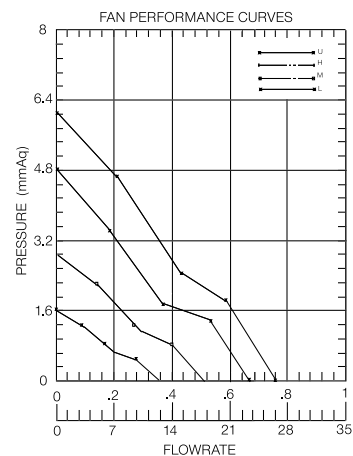
Operating Temp:-10° to 70°C

SECTION 12

## EXTERNAL DIMENSIONS



## PERFORMANCE CURVE



## ORDERING INFORMATION

DBF	6025	B	12	H	
Dubilier Fans	Size	Bearing	Voltage	Airflow	Options
	60x60x25mm	B=Ball S=Sleeve G=Oil	05=05vdc 12=12vdc	U=Ultra High H=High M=Medium L=Low	Blank=Standard A=Alarm Lead S=Speed Sensor T=Twin Speed Other options available