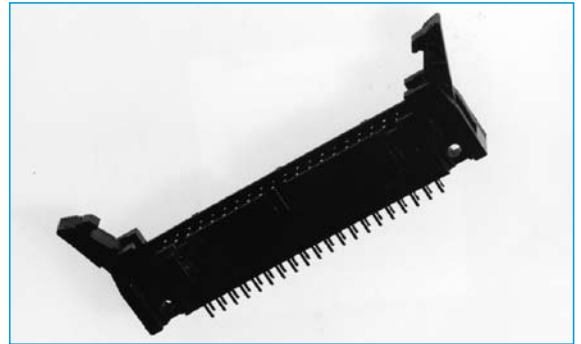


**IDC**

**SHROUDED LATCHED HEADER - STRAIGHT**

- Industry compatible
- Competitively priced
- Black or grey
- Long or short latch
- Gold contacts
- 2.54mm pitch

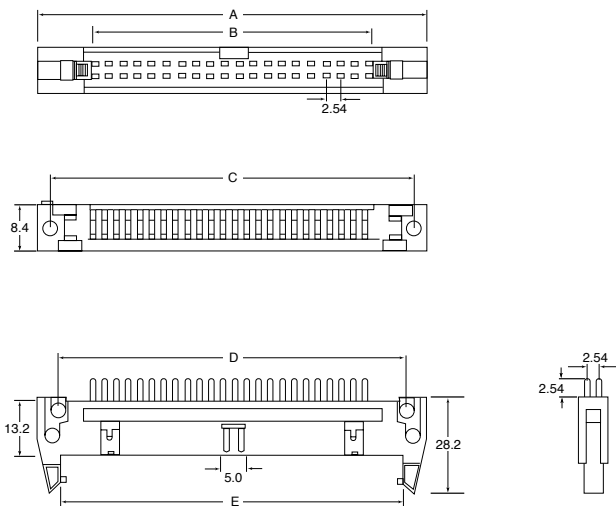


**SPECIFICATION**

**Material & Finish**

<b>Contact Material:</b>	Brass	<b>Dielectric Withstanding Voltage:</b>	500V AC for One Minute
<b>Insulator Material:</b>	PBT & Glass-Fibre Reinforced UL-94V-0	<b>Operating Temperature:</b>	-40°C to + 105°C
<b>Current Rating:</b>	2 A DC		
<b>Contact Resistance:</b>	30M Ω Max		
<b>Insulator Resistance:</b>	3000M Ω Min		

**OUTLINE DRAWING**



Position	A	B	C	D	E
10	32.30	10.16	27.68	21.70	18.25
14	37.38	15.24	32.73	26.78	23.33
16	39.92	17.78	35.27	29.32	25.87
20	45.00	22.86	40.35	34.40	30.95
24	50.08	27.94	45.43	39.48	36.03
26	52.62	30.48	47.97	42.02	38.57
30	57.50	35.56	53.50	47.10	43.65
34	62.78	40.64	58.58	52.18	48.73
40	70.40	48.26	66.20	59.80	56.35
44	75.48	53.34	71.28	64.88	61.43
50	83.10	60.96	78.90	72.26	69.05
60	95.80	73.66	91.60	85.96	81.75
64	100.88	78.74	96.88	91.04	86.83

SECTION 15

**ORDERING INFORMATION**

DBC	IDC	C1	10	A	S	A	1
Dubilier Connectors	IDC Connector	Series	N° of Ways	Contact Material	Contact Plating	Features	Colour
			10=10way 14=14way 16=16way 20=20way 24=24way 26=26way 30=30way	A=Brass	S=Selective Gold G= Gold Flash	A=Long Latch B=Short Latch	1=Black 2=Grey
			34=34way 40=40way 44=44way 50=50way 60=60way 64=64way				