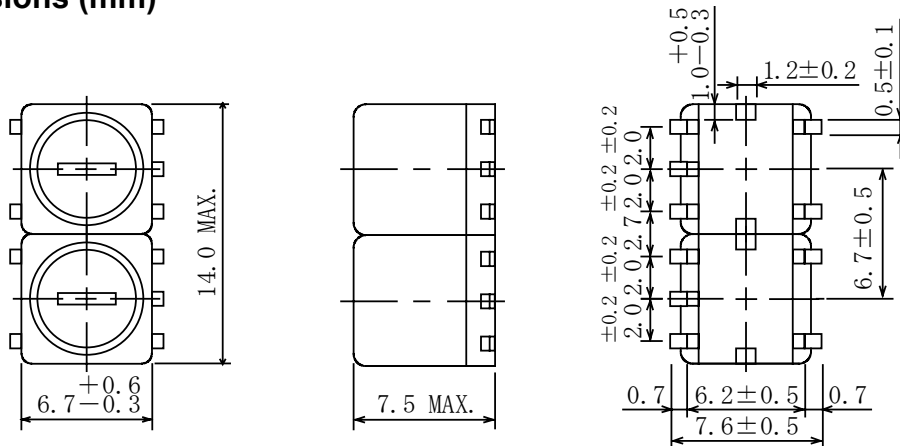


Type: CFB2-6
◆ Product Description

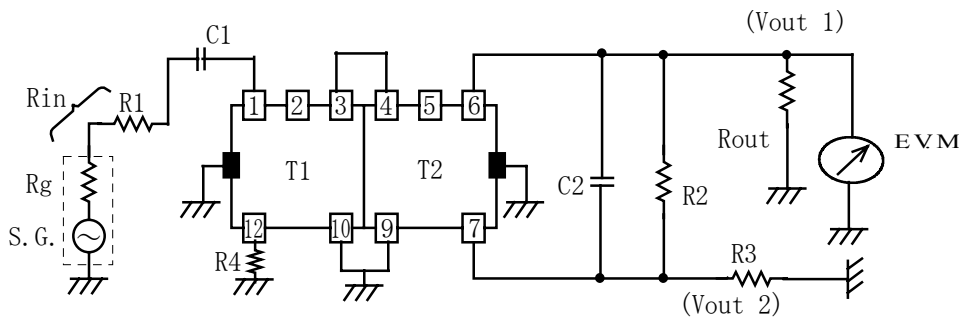
- 14.0×7.3mm Max.(L×W), 7.5mm Max. Height.
- Operating frequency:10~500kHz.
- In addition to the reference versions of parameters shown here, custom designs are available to meet your exact requirements.


◆ Feature

- Variable shielded type with two individual coils combined.
- Two built-in capacitors are in one coil.
- Ideally used in VCR, Video Cameras as Audio LC filters(LPF, BPF, HPF, Delay Line and Equalizers).
- RoHS Compliance

◆ Dimensions (mm)


- * Dimension does not include solder used on coil.
- * Pin pitch should be measured at the root of terminal.

◆ Testing circuit


- $R_{in}=R_g+R_1=100\ \Omega$
- $R_{out}=1k\ \Omega$
- $R_2=27k\ \Omega$
- $R_3=1k\ \Omega$
- $R_4=4.7k\ \Omega$
- $C_1=33nF$
- $C_2=39nF$

Type: CFB2-6
◆ Specification (Part No: 4562-T015)

Item		Specification.
Input impedance	(Rin)	100Ω
Output impedance	(Rout)	1000Ω
Center frequency		24kHz
Band width	(-3dB)	8.0kHz±1.5kHzWithin
Attenuation	15kHz	8.5dB Min.
	35 kHz	7.5 dB Min.
Insertion loss	24 kHz	6.0dB Max.
Group delay time	24kHz±2.5kHz	10μS Max.

Frequency Response (Attenuation 0dB at 24KHz)
