

Class-AB Speaker Amplifiers

1.1W to 1.5W

Monaural Speaker Amplifiers



BH7824FVM, BH7826FVM

No.10077EAT04

● **Description**

The BH7824FVM and BH7826FVM are speaker amplifier ICs for low-voltage drives and low power consumption audio, specialized for mobile telephones and other mobile audio devices.

● **Features**

- 1) BTL monaural speaker amplifier
- 2) Capable of high power 500mW/8Ω/BTL output
- 3) Wide power supply voltage range
- 4) Supports active/shutdown modes
- 5) Built-in anti-pop circuit
- 6) Built-in thermal shutdown circuit

● **Applications**

Mobile telephones, PDAs, notebook computers, DSC, DVC, and other mobile audio devices.

● **Product lineup**

Part No.	BH7824FVM	BH7826FVM
Input type	Unbalanced input	Balanced input
Supply voltage(V)	2.4 ~ 5.5	2.6 ~ 5.5

● **Absolute maximum ratings(Ta=25°C)**

Parameter	Symbol	Limits	Unit
Supply voltage	V _{CCmax.}	6.0	V
Power dissipation	P _d	470(*1)	mW
Operating temperature	T _{opr}	-30 ~ +85(*2)	°C
Storage temperature	T _{stg}	-55 ~ +125	°C

*1 Reduced by 4.7 mW/°C at 25°C or higher, when mounted on a 70mm×70mm×1.6mm PCB board.

*2 T_{opr}=70°C ~ 85°C is the range for performing basic operations and does not guarantee characteristics or rated output. Moreover, TSD (Thermal Shutdown) may become operable if input signals occurring in this range are excessive.

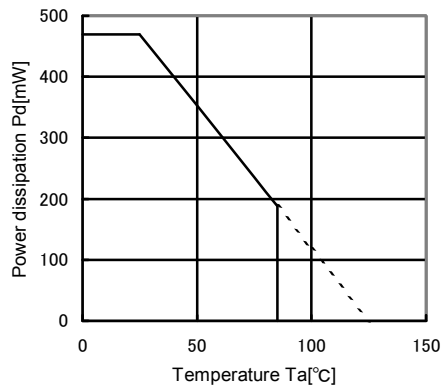


Fig.1 Ta-Pd (when mounted on a PCB board)

● Operating conditions (Ta=25°C)

Parameter	Ratings	
	BH7824FVM	BH7826FVM
Supply voltage	2.4V ~ 5.5V	2.6 ~ 5.5

* Note: This IC is not designed to be radiation-resistant.

● Electrical characteristics (Unless otherwise noted Ta=25°C, Vcc=3.6V, f=1kHz, RL=8Ω)

Parameter	Symbol	Limits(Typ.)		Unit	Conditions
		BA7824FVM	BA7826FVM		
Circuit current 1	I _{CC1}	3.5	3.5	mA	No signal , Active mode
Circuit current 2	I _{CC2}	0	0	μA	No signal, Suspend mode
Voltage gain 1	G _{V1}	+11.5	+11.5	dB	V _{IN} =-20dBV, 1st Op-amp gain
Voltage gain 2	G _{V2}	0	—	dB	2nd Op-amp gain
Maximum output voltage1	V _{OM1}	+6.0	+6.0	dBV	DSTN=1% ,BTL *1
Maximum output voltage2	V _{OM2}	—	+5.1	dBV	V _{CC} =3.4V, DSTN=1%, BTL *1
Output distortion	D _{STN}	0.07	0.2	%	V _{IN} =-20dB, V SE *1
Output noise level	V _{NO}	-94	-94	dBV	No signal, SE Active mode *2
Suspend attenuation	G _S	-107	-107	dBV	V _{IN} =-20dB, V BTL *2
Bias setting voltage	V _{BIAS}	1.8	1.8	V	3pin DC voltage
Suspend hold voltage / H	V _{SH1}	V _{CC} × 0.8 ~ V _{CC}	2.0 ~ V _{CC}	V	Active mode, Hold voltage
Suspend hold voltage / L	V _{SH2}	0 ~ 0.5	0 ~ 0.5	V	Suspend mode, Hold voltage

*1 : B.W.=0.4 ~ 30kHz

*2 : DIN AUDIO

● Measurement circuit

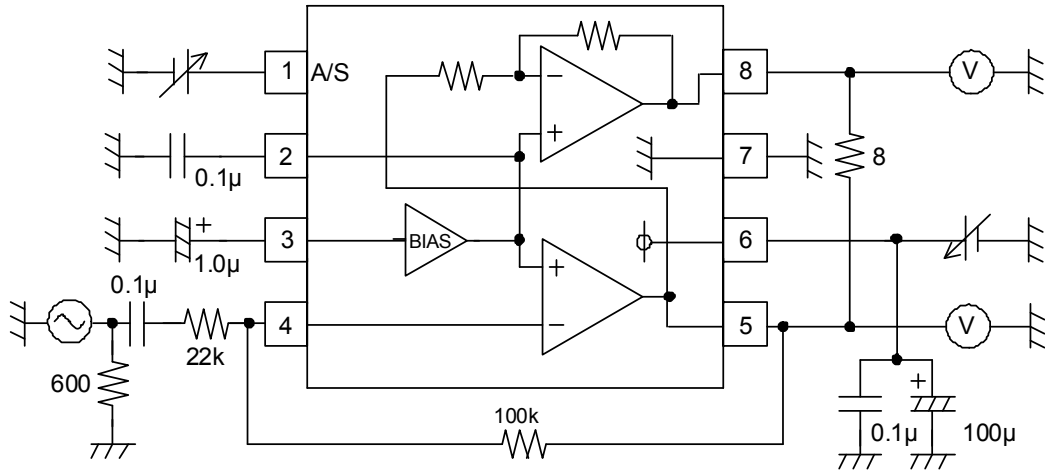


Fig.2 BH7824FVM

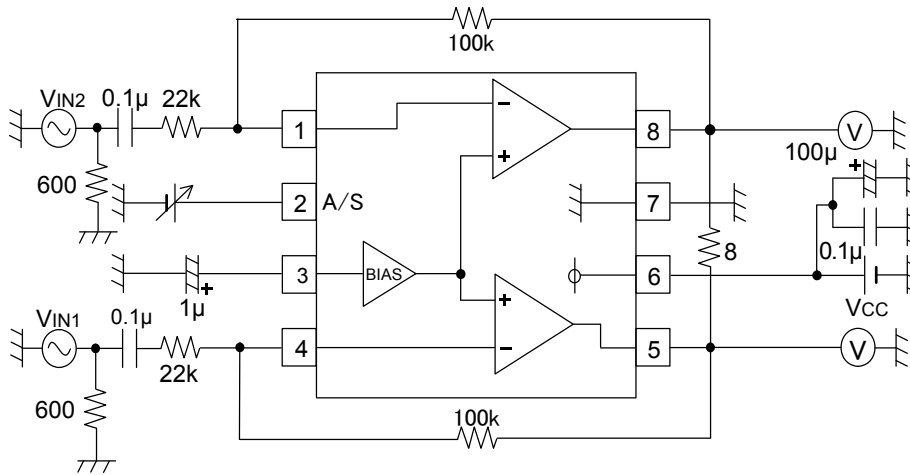


Fig.3 BH7826FVM

●Block diagram

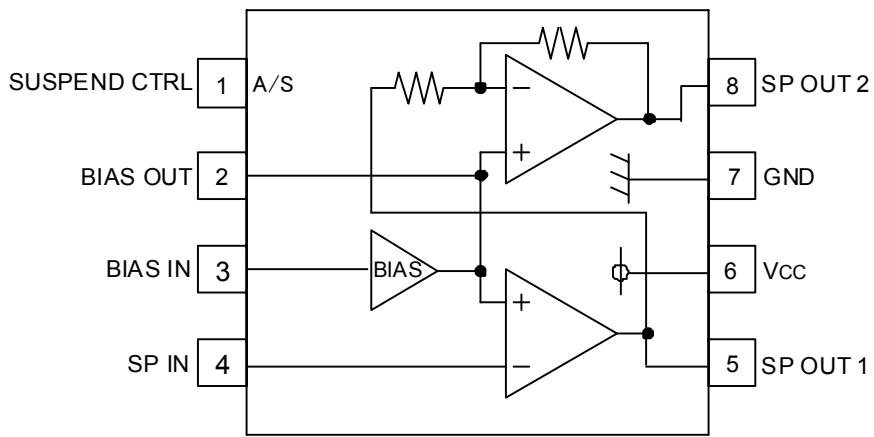


Fig.4 BH7824FVM

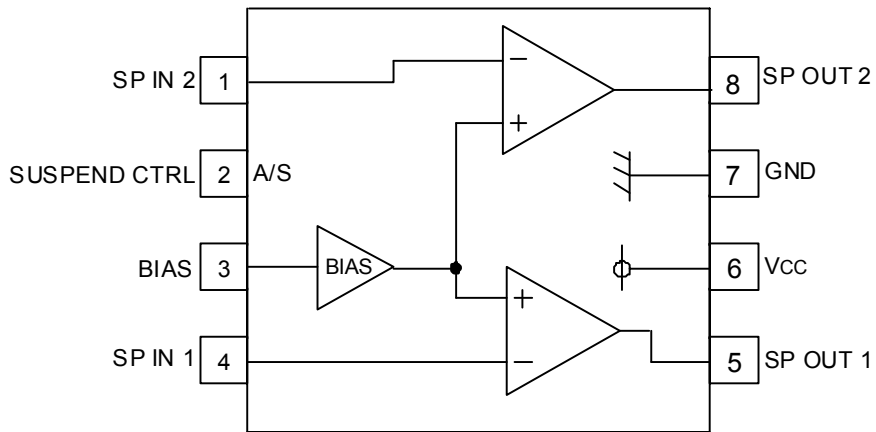
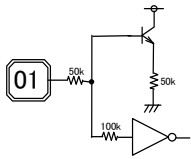
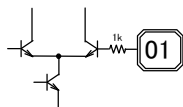
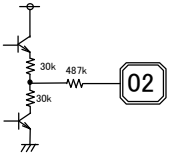
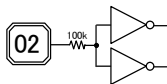
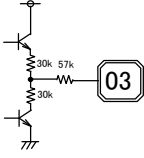
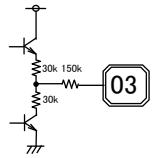
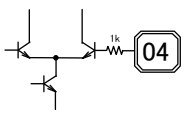
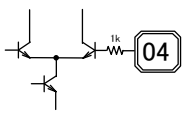
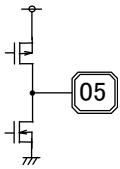
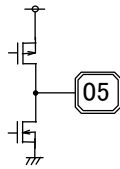
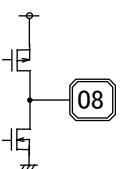
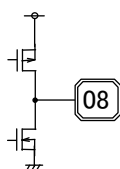


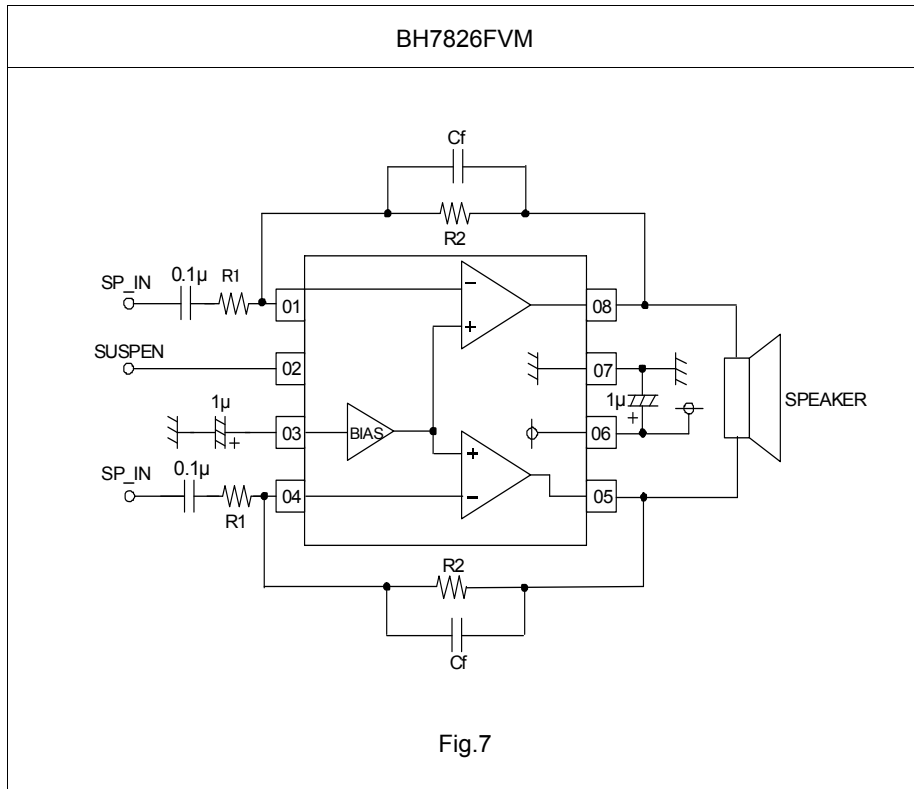
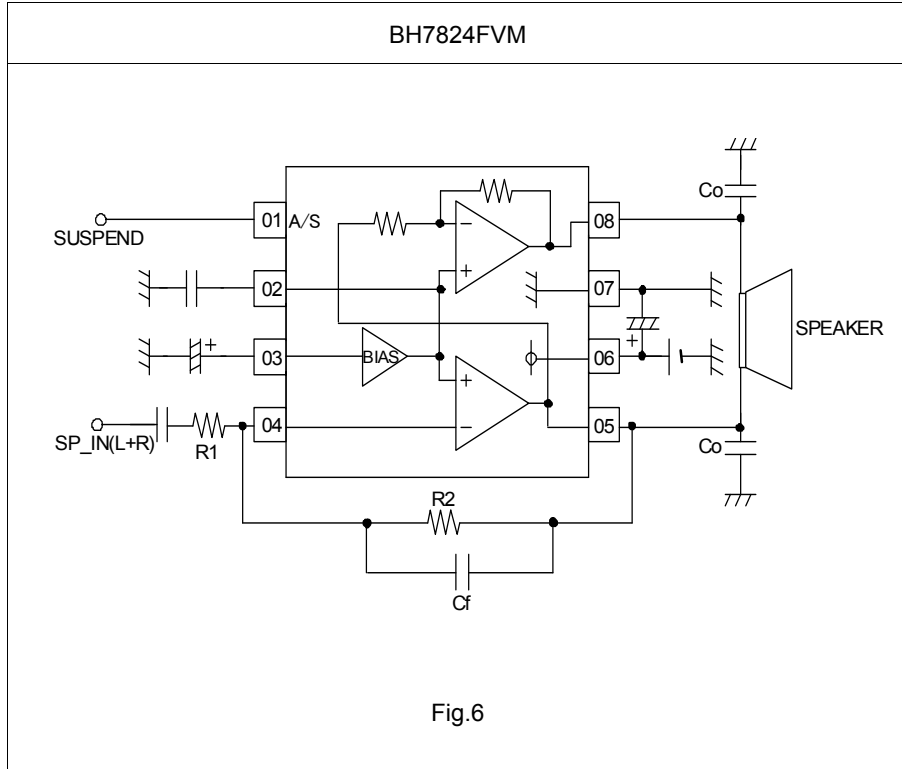
Fig.5 BH7826FVM

●Equivalent circuit

Pin No.	BH7824FVM		BH7826FVM	
	Pin name	Equivalent circuit	Pin name	Equivalent circuit
1	SUSPEND CTRL		SUSPEND CTRL	
2	BIAS OUT		BIAS OUT	
3	BIAS IN		BIAS IN	
4	SP IN		SP IN	
5	SP OUT1		SP OUT1	
6	V _{CC}	—	V _{CC}	—
7	GND	—	GND	—
8	SP OUT2		SP OUT2	

Note: Numerical values in figures are design values, and do not guarantee ratings.

● Application circuit



●Cautions for use

- 1) Set within the ranges below.

Parameter	8, 12Ωspeaker	16Ωspeaker
	BH7824FVM/26FVM	BH7824FVM
R1	$10\text{k}\Omega \leq R1 \leq 120\text{k}\Omega$	←
R2	$47\text{k}\Omega \leq R1 \leq 120\text{k}\Omega$	←
Cf	$Cf \leq 560\text{pF}$ ($G > +6\text{dB}$) $Cf \leq 270\text{pF}$ ($0 < G \leq +6\text{dB}$)	←
Co	$Co \leq 100\text{pF}$	$Co \leq 47\text{pF}$
f _{cutoff}	$f_{\text{cutoff}} \leq 4\text{kHz}$ $f_{\text{cutoff}} = 1/(2\pi R_2 C_f)$ [Hz]	←

- 2) Do not use this IC without a load.
- 3) Do not connect a capacitive load greater than 100 pF between an output pin (pin 5 or 8) and GND. Because of the multiple feedback configurations, if a large capacitive load were connected, the amplifier might oscillate.
- 4) This IC is compatible with dynamic speaker loads (8/12/16Ω: BH7824FVM, 8/12Ω: BH7826FVM) and is not compatible with loads other than these mentioned.
- 5) A soft mute setting becomes effective on connecting a resistor and capacitor to the SUSPEND pin (1pin: BH7824FVM, 2pin: BH7826FVM).

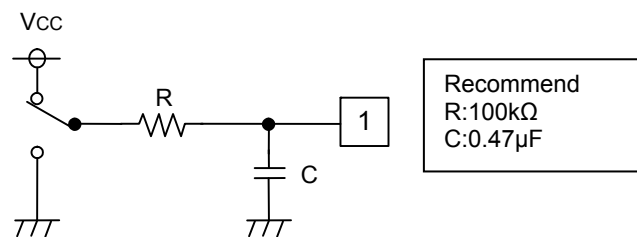


Fig.8 BH7824FVM Soft mute

●Reference data

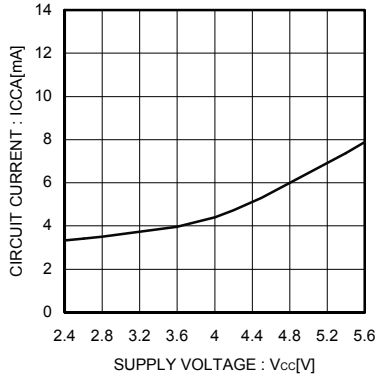


Fig.9 Circuit current (ACTIVE) vs Supply voltage

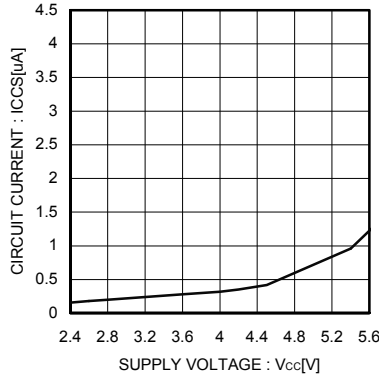


Fig.10 Circuit current (SUSPEND) vs Supply voltage

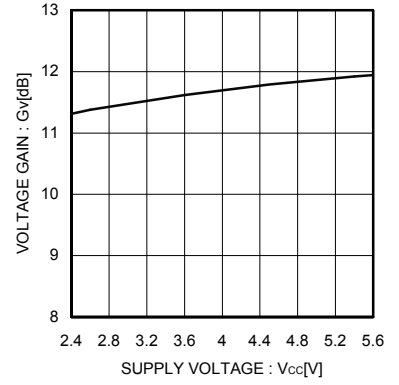


Fig.11 Voltage gain vs Supply voltage

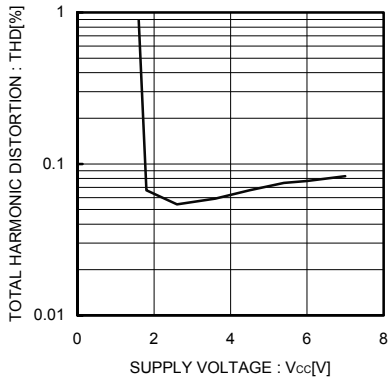
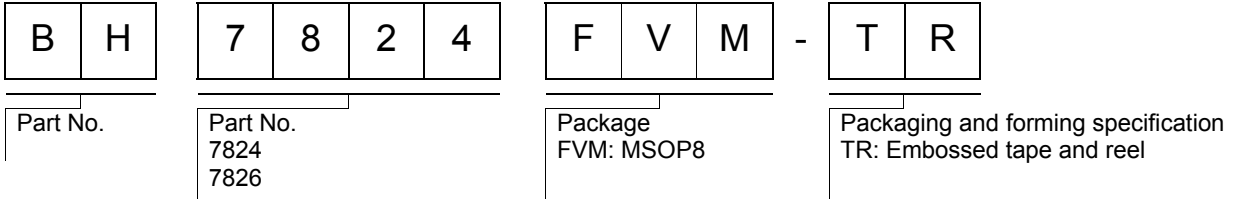


Fig.12 Total harmonic distortion vs Supply voltage

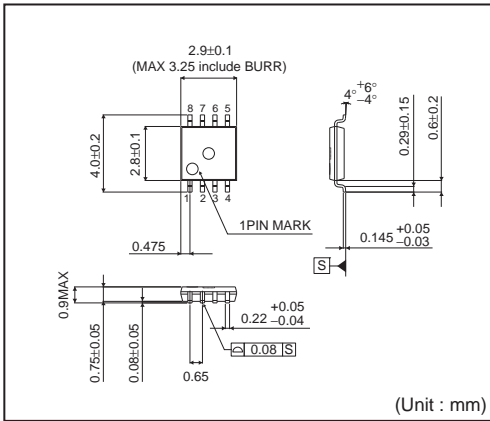
●Notes for use

- 1) Numbers and data in entries are representative design values and are not guaranteed values of the items.
- 2) Although ROHM is confident that the example application circuit reflects the best possible recommendations, be sure to verify circuit characteristics for your particular application. Modification of constants for other externally connected circuits may cause variations in both static and transient characteristics for external components as well as this Rohm IC. Allow for sufficient margins when determining circuit constants.
- 3) Absolute maximum ratings
Use of the IC in excess of absolute maximum ratings, such as the applied voltage or operating temperature range (T_{opr}), may result in IC damage. Assumptions should not be made regarding the state of the IC (short mode or open mode) when such damage is suffered. A physical safety measure, such as a fuse, should be implemented when using the IC at times where the absolute maximum ratings may be exceeded.
- 4) GND potential
Ensure a minimum GND pin potential in all operating conditions. Make sure that no pins are at a voltage below the GND at any time, regardless of whether it is a transient signal or not.
- 5) Thermal design
Perform thermal design, in which there are adequate margins, by taking into account the permissible dissipation (P_d) in actual states of use.
- 6) Short circuit between terminals and erroneous mounting
Pay attention to the assembly direction of the ICs. Wrong mounting direction or shorts between terminals, GND, or other components on the circuits, can damage the IC.
- 7) Operation in strong electromagnetic field
Using the ICs in a strong electromagnetic field can cause operation malfunction.

● Ordering part number

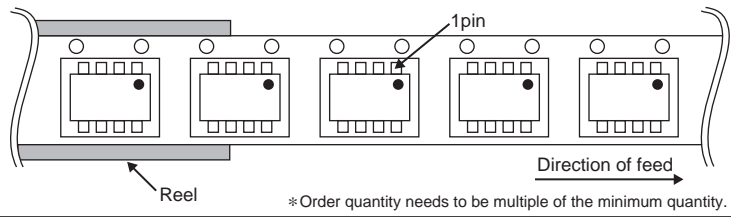


MSOP8



<Tape and Reel information>

Tape	Embossed carrier tape
Quantity	3000pcs
Direction of feed	TR (The direction is the 1pin of product is at the upper right when you hold reel on the left hand and you pull out the tape on the right hand)



Notes

No copying or reproduction of this document, in part or in whole, is permitted without the consent of ROHM Co.,Ltd.

The content specified herein is subject to change for improvement without notice.

The content specified herein is for the purpose of introducing ROHM's products (hereinafter "Products"). If you wish to use any such Product, please be sure to refer to the specifications, which can be obtained from ROHM upon request.

Examples of application circuits, circuit constants and any other information contained herein illustrate the standard usage and operations of the Products. The peripheral conditions must be taken into account when designing circuits for mass production.

Great care was taken in ensuring the accuracy of the information specified in this document. However, should you incur any damage arising from any inaccuracy or misprint of such information, ROHM shall bear no responsibility for such damage.

The technical information specified herein is intended only to show the typical functions of and examples of application circuits for the Products. ROHM does not grant you, explicitly or implicitly, any license to use or exercise intellectual property or other rights held by ROHM and other parties. ROHM shall bear no responsibility whatsoever for any dispute arising from the use of such technical information.

The Products specified in this document are intended to be used with general-use electronic equipment or devices (such as audio visual equipment, office-automation equipment, communication devices, electronic appliances and amusement devices).

The Products specified in this document are not designed to be radiation tolerant.

While ROHM always makes efforts to enhance the quality and reliability of its Products, a Product may fail or malfunction for a variety of reasons.

Please be sure to implement in your equipment using the Products safety measures to guard against the possibility of physical injury, fire or any other damage caused in the event of the failure of any Product, such as derating, redundancy, fire control and fail-safe designs. ROHM shall bear no responsibility whatsoever for your use of any Product outside of the prescribed scope or not in accordance with the instruction manual.

The Products are not designed or manufactured to be used with any equipment, device or system which requires an extremely high level of reliability the failure or malfunction of which may result in a direct threat to human life or create a risk of human injury (such as a medical instrument, transportation equipment, aerospace machinery, nuclear-reactor controller, fuel-controller or other safety device). ROHM shall bear no responsibility in any way for use of any of the Products for the above special purposes. If a Product is intended to be used for any such special purpose, please contact a ROHM sales representative before purchasing.

If you intend to export or ship overseas any Product or technology specified herein that may be controlled under the Foreign Exchange and the Foreign Trade Law, you will be required to obtain a license or permit under the Law.



Thank you for your accessing to ROHM product informations.
More detail product informations and catalogs are available, please contact us.

ROHM Customer Support System

<http://www.rohm.com/contact/>