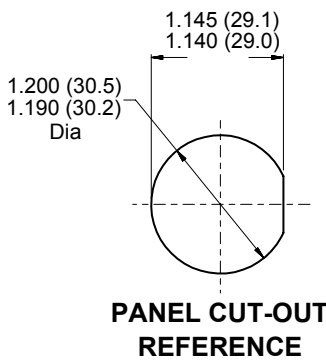
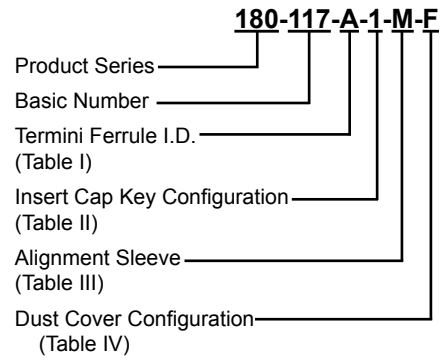
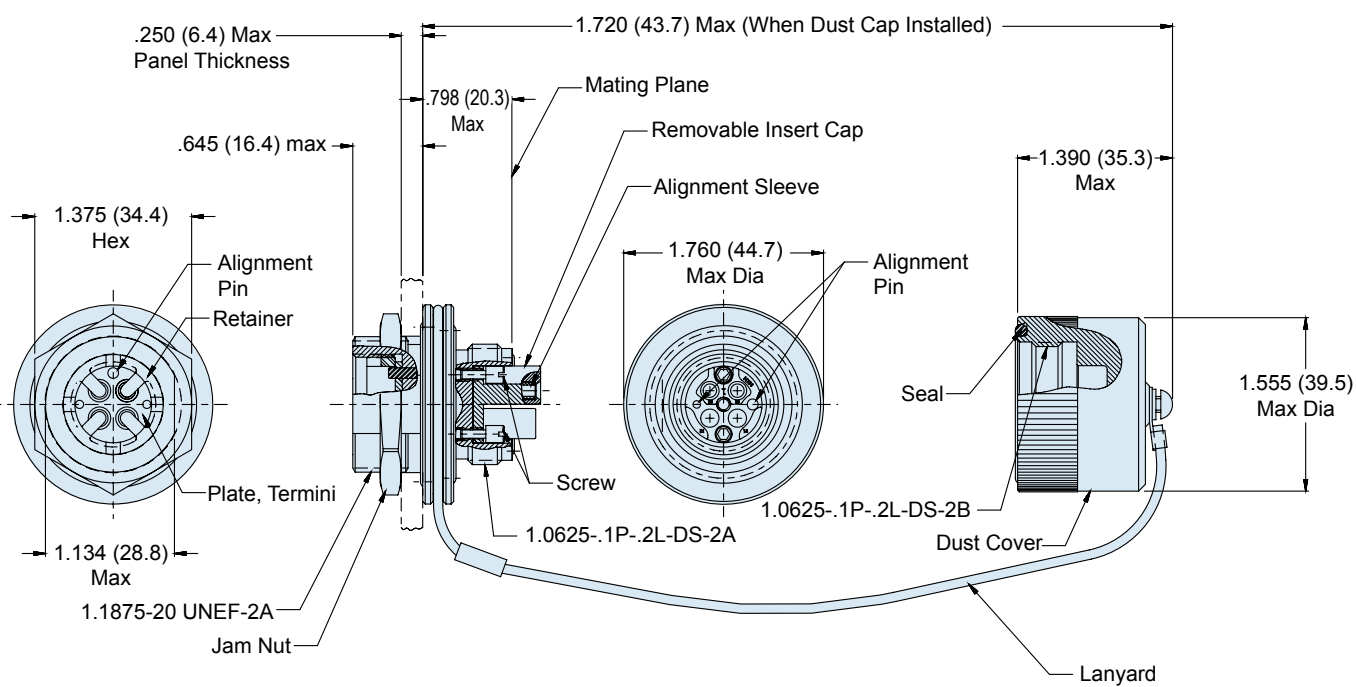
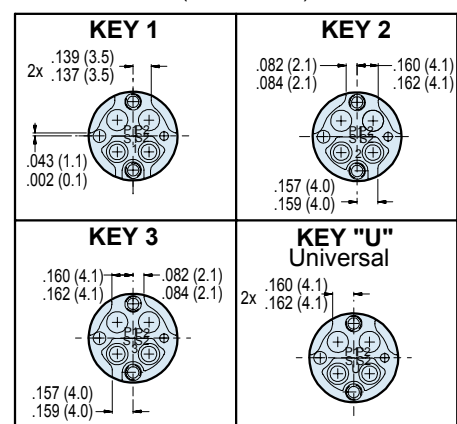




180-117 M83526/17 Style GFOCA Hermaphroditic Fiber Optic Jam Nut Mount Receptacle Connector 4 Channel with Optional Dust Cover



**INSERT CAP
KEY CONFIGURATION**
(See Table II)



180-117
M83526/17 Style GFOCA Hermaphroditic
Fiber Optic Jam Nut Mount Receptacle Connector
4 Channel with Optional Dust Cover



**TABLE I:
TERMINI FERRULE I.D.**

Dash Sym	Ferrule I.D.	
	Max (mm)	Min (mm)
A	.1270	.1260
B	.1280	.1270
C	.1430	.1420
D	.2340	.2300
W	No Termini Supplied	

**TABLE II:
INSERT CAP KEY
CONFIGURATION**

Dash No.	Configuration
1	1
2	2
3	3
4	U

**TABLE III:
ALIGNMENT SLEEVE
CONFIGURATION**

Dash Sym	Configuration
M	Solid
S	Split

**TABLE IV:
DUST COVER
CONFIGURATION**

Dash Sym	Configuration
F	Female
N	None

APPLICATION NOTES

1. Assembly identified with manufacturer's name and P/N, Space Permitting.
2. Glenair 180-117 Connector Features:
 - A. Receptacle Shell, Removable Insert Cap, Jam Nut, Retainer, Dust Cover- Al Alloy
 - B. Lanyard: Coated Stainless Steel Cable
 - C. Termini: See 181-050 (Page F-3)
 - D. Operating & Transit Temperature Range: -65°C to +160°C
Storage Temperature Range: -70°C to + 185°C
 - E. Misc. Hardware: Stainless Steel/Passivate
3. Metric dimensions (mm) are indicated in parentheses.