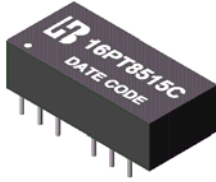


10/100 BASE-T TRANSFORMER

P/N:16PT8515C DATA SHEET

Feature

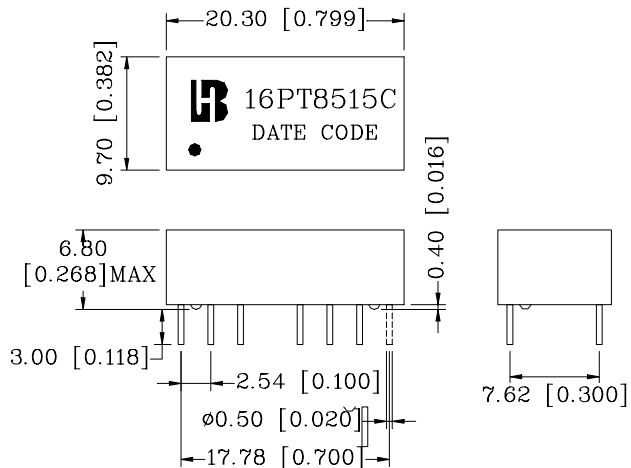
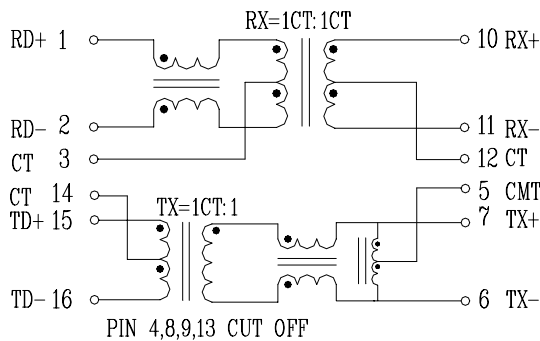


- Compliant with IEEE802.3u and ANSI X3.263 standards including 350uH OCL with 8mA Bias.
- Operating temperature range: 0°C to +70°C.
- Storage temperature range: -25°C to +105°C.

Electrical Specifications @ 25°C								
Part Number	Turns Ratio (±5%)		OCL (uH Min) @ 100KHz/0.1 with 8mA DC Bias		C _{www} (pF Max)	L.L (uH Max)	Rise Time 10-90% (nS Typ)	HI-POT (Vrms)
	TX	RX						
16PT8515C	1CT:1	1CT:1CT	350		28	0.6	2.5	1500
Continue								
Part Number	Insertion Loss (dB Max)	Return Loss (dB Min)					Cross talk (dB Min)	DCMR TX/RX(dB Min)
		0.3-100 MHz	30MHz	40MHz	50MHz	60MHz		
16PT8515C	-1.15	-16	-14	-13.5	-13	-12	-35	-30

Schematic

Mechanical



Units: mm[Inches] Tolerances: xx.x0±0.25[0.010]
0.xx±0.05[0.002]