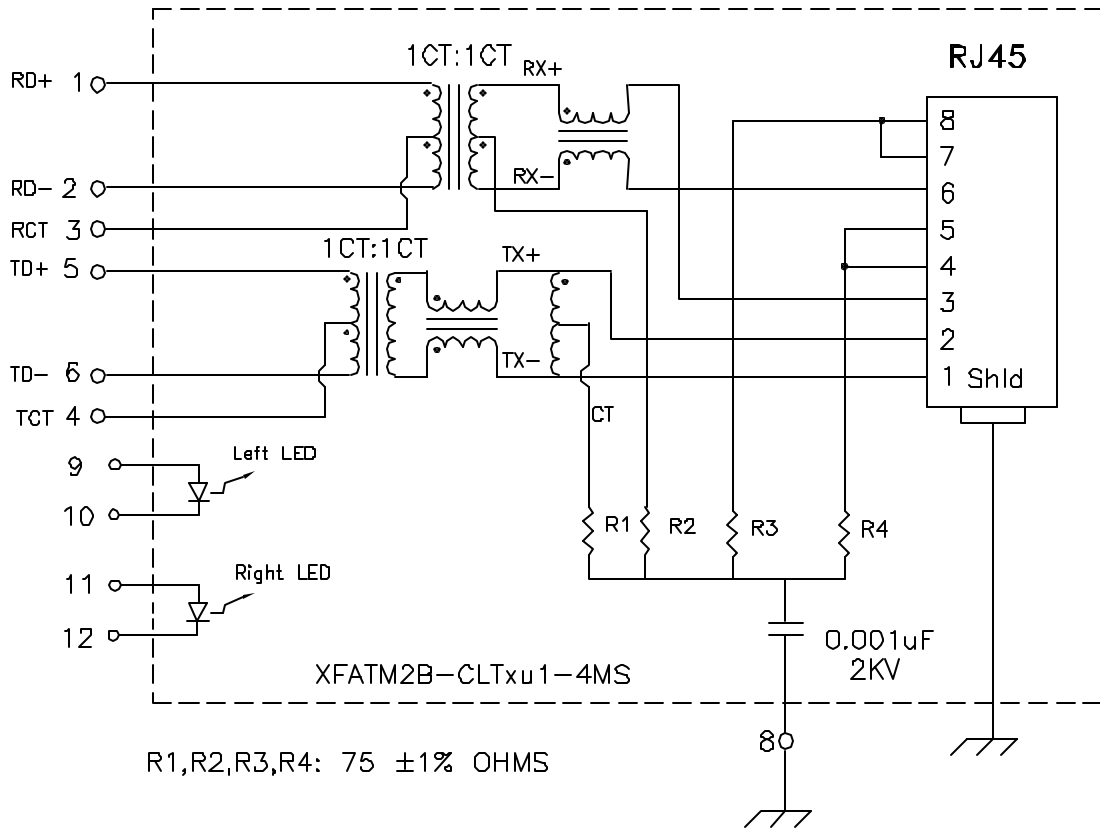


Schematic:



Electrical Specifications: @25°C

Isolation Voltage: 1500 Vrms (INPUT to OUTPUT)
 UTP SIDE OCL: 350uH Min @100KHz 100mV 8mADC
 Rise Time (10-90%): 2.5ns Typical
 Insertion Loss (100KHz-100MHz): -1.1dB Typ
 Insertion Loss (100MHz-125MHz): -1.5dB Typ
 Return Loss: -20dB Typ @30MHz
 -15dB Typ @80MHz

Crosstalk:

100KHz-60MHz -40dB Typical
 60MHz-100MHz -38dB Typical

Common Mode to Differential Mode Rejection:

100KHz-60MHz -45dB Typ (Tx) / -40dB Typ (Rx)
 60MHz-100MHz -40dB Typ (Tx) / -35dB Typ (Rx)

Notes:

- Solderability: Leads shall meet MIL-STD-202G, Method 208H for solderability.
- Flammability: UL94V-0
- ASTM oxygen index: > 28%
- Insulation System: Class F 155°C. UL file E151556
- Operating Temperature Range: All listed parameters are to be within tolerance from -40°C to +85°C
- Storage Temperature Range: -55°C to +125°C
- Aqueous wash compatible
- Electrical and mechanical specifications 100% tested
- RoHS Compliant Component

DOC. REV A/2

PROPRIETARY

Document is the property of XFMRs Group & is not allowed to be duplicated without authorization.

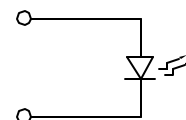
Complete the Combo P/N as follows:

Replace 'x' & 'u' in the part number with one of the LED color letters:

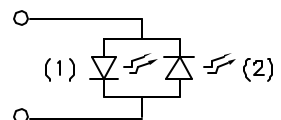
Y=Yellow 'x' = Left LED Color
 G=Green 'u' = Right LED Color
 A=Amber
 R=Red

C=Green(1)/Amber(2) Bicolor
 D=Amber(1)/Green(2) Bicolor
 M=Green(1)/Yellow(2) Bicolor
 N=Yellow(1)/Green(2) Bicolor
 P=Red(1)/Green(2) Bicolor
 Q=Green(1)/Red(2) Bicolor

Single Color LED:



Bi-Color LED:



XFMRs Inc
www.XFMRs.com

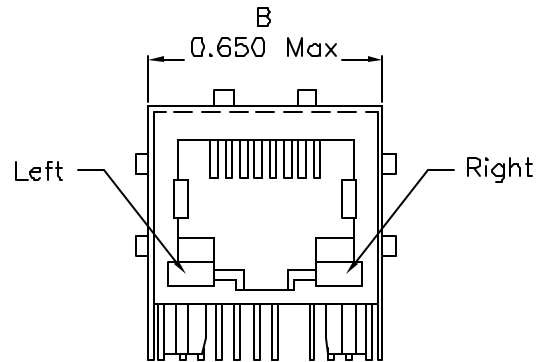
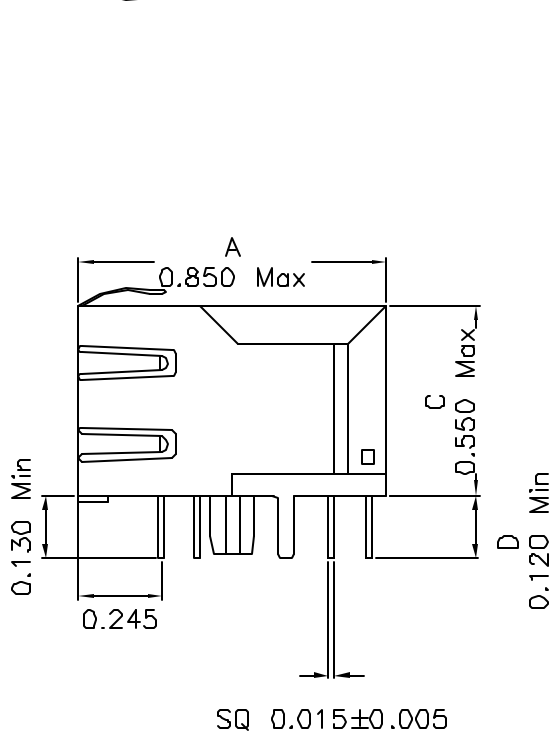
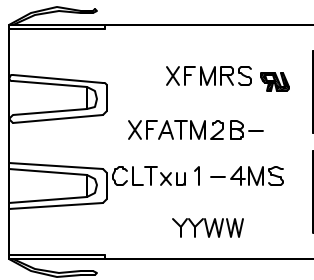
Title:
SINGLE PORT COMBO w/LEDs

UNLESS OTHERWISE SPECIFIED
 TOLERANCES:
 .xxx ±0.010
 Dimensions in Inch

| | |
|--------------------|-----------|
| XFATM2B-CLTxu1-4MS | REV. A |
| DWN. | 廖玉坤 |
| CHK. | 李清儿 |
| APP. | MS |
| Mar-27-07 | Mar-27-07 |
| Mar-27-07 | Mar-27-07 |

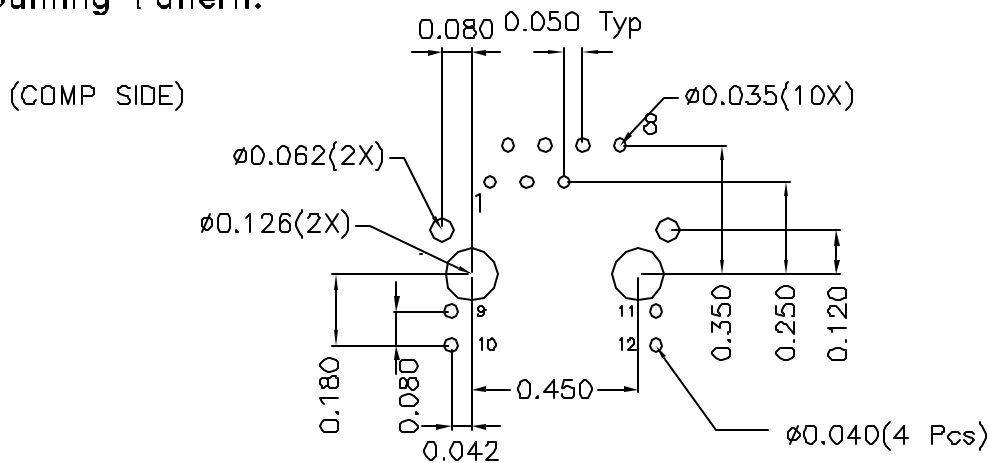
SHEET 1 OF 1

Mechanical Dimensions:



*Remove Pin#7

Mounting Pattern:



| | | |
|--|------------------------------|-----------|
| XFMRS Inc www.XFMRS.com | Title: Mechanical Dimensions | |
| | P/N: XFATM2B-CLTxx1-4MS | REV. A |
| UNLESS OTHERWISE SPECIFIED TOLERANCES: .xxx ±0.010 Dimensions in Inch | DWN. | Juan Mao |
| | CHK. | YK Liao |
| | APP. | MS |
| SHEET 2 OF 2 | | Mar-27-07 |

DOC. REV: A/2

PROPRIETARY:

Document is the property of XFMRS Group & is not allowed to be duplicated without authorization.