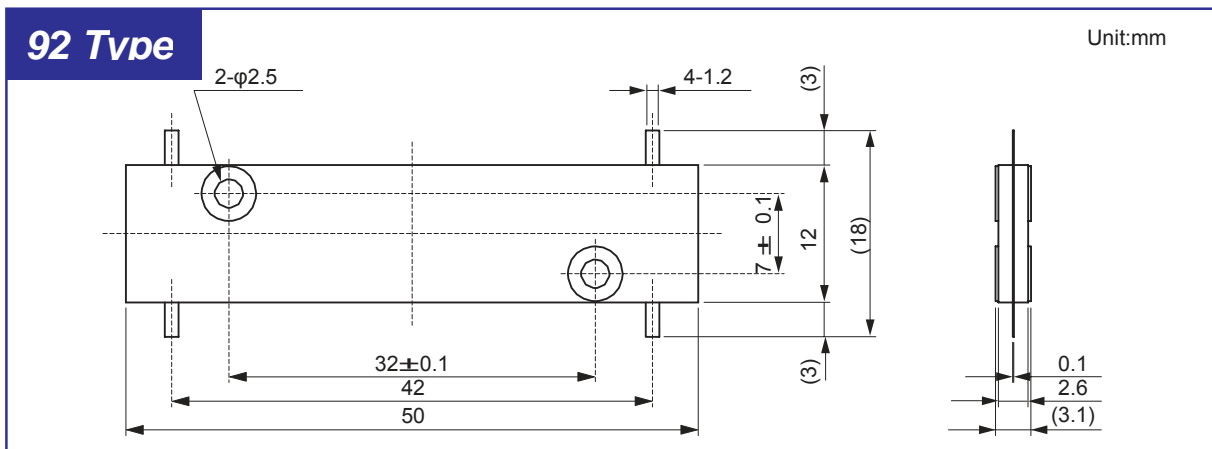
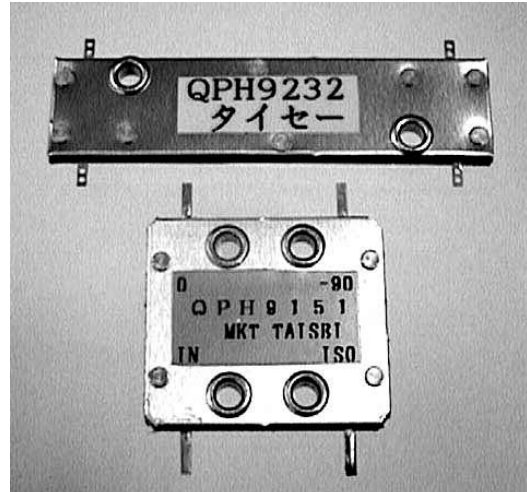
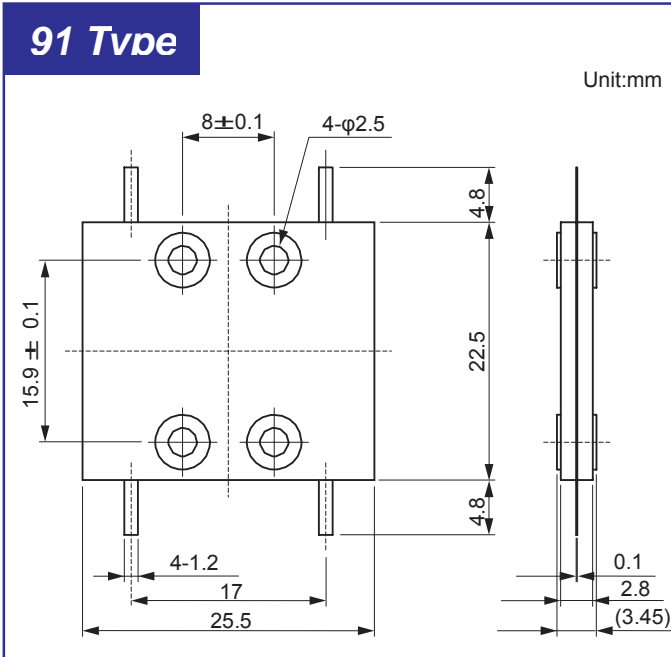


90 3dB Card Couplers

Dimensions



Specifications

Style No.	Frequency Range [MHz]	Coupling [dB]	Coupling Frequency Variance [dB]	Isolation [dB]	VSWR (max.)	Max. Input Power [W]	Working Temp. Range [C]
QPH9232	360~550	+0.3 -0	±0.3	25	1.2	100	-10 ~ +65
QPH9131	500~900	+0.3 -0	±0.5	20	1.2	100	-10 ~ +65
QPH9132	800~1000	+0.3 -0	±0.3	20	1.2	100	-10 ~ +65
QPH9151	1300~2300	+0.3 -0	±0.6	20	1.2	50	-10 ~ +65

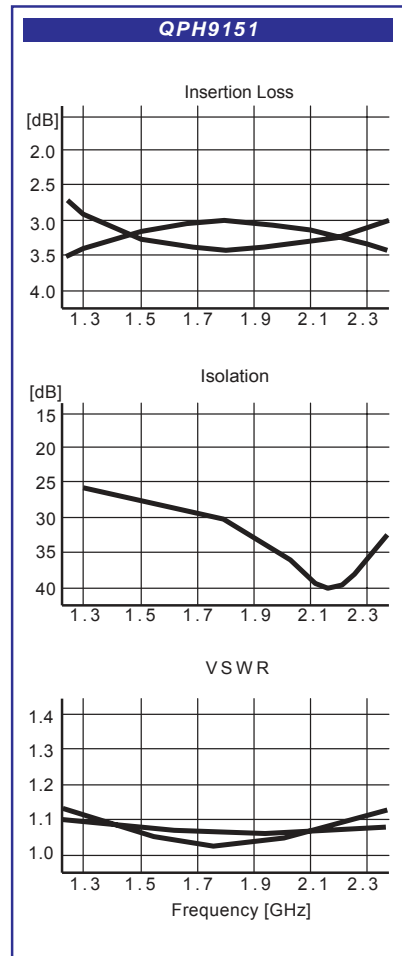
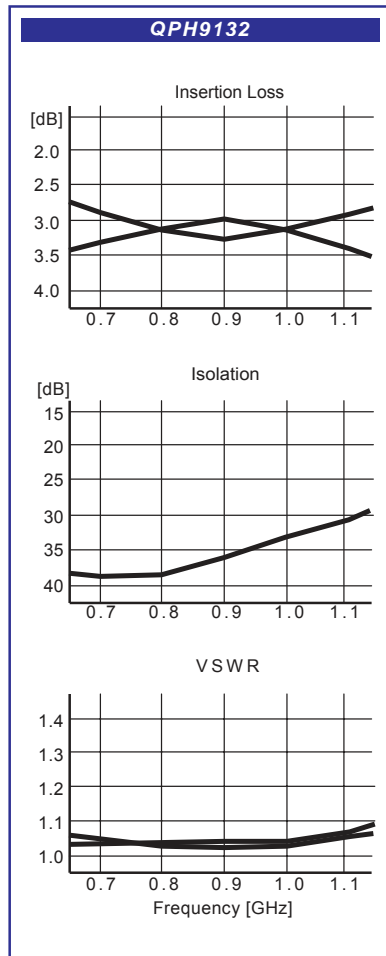
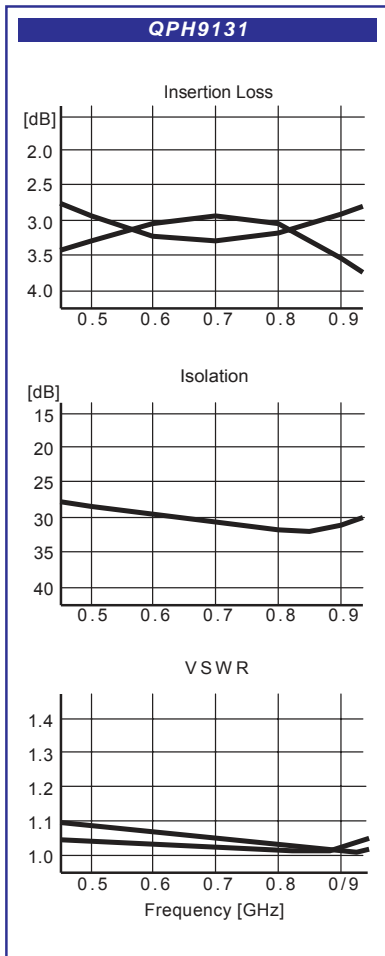


Card Couplers

The content of this specification may change without notification 09/18/08



Typical Performance



Specifications of products are subject to change without notice.



188 Technology Drive, Unit H, Irvine, CA 92618
TEL: 949-453-9888 ♦ FAX: 949-453-8889