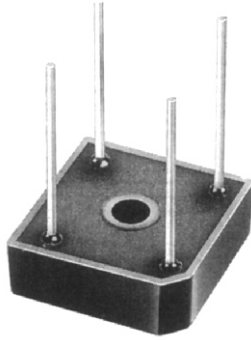


PB6 SERIES KBPC6 SERIES

SINGLE-PHASE SILICON BRIDGE



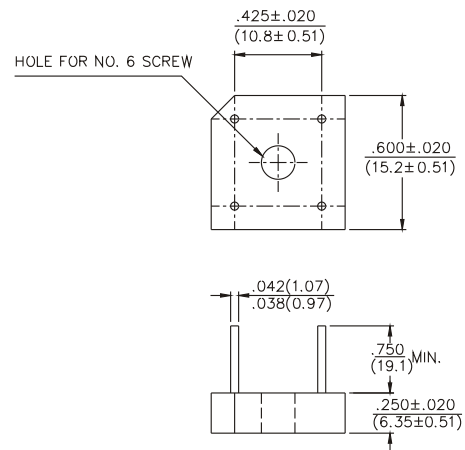
CHENG-YI ELECTRONIC



FEATURES

- Surge overload rating-150 amperese peak
- Low forward voltage drop
- Small size, simple installation
- Silver plated copper leads
- Mounting position:Any
- Plastic material has UL flammability classification 94V-0
- UL recognized file # E149311
- Lead solderable per MIL-STD-202 method 208
- Electrically isolated base 1800Volts

VOLTAGE RANGE
50 TO 1000 VOLTS
CURRENT
3.0 Amperes



Polarity shown on side of case;
positive lead by beveled corner.

Dimensions in inches and (millimeters)

MAXIMUM RATINGS AND ELECTRICAL CHARACTERISTICS

Ratings at 25°C ambient temperature unless otherwise specified.
Single phase, half wave, 60Hz, resistive or inductive load.
For capacitive load, derate current by 20%.

		PB605	PB61	PB62	PB64	PB66	PB68	PB610	UNITS
		KBPC6005	KBPC601	KBPC602	KBPC604	KBPC606	KBPC608	KBPC610	
Maximum Recurrent Peak Reverse Voltage	V_{RRM}	50	100	200	400	600	800	1000	V
Maximum RMS Bridge Input Voltage	V_{RMS}	35	70	140	280	420	560	700	V
Maximum DC Blocking Voltage	V_{DC}	60	100	200	400	600	800	1000	V
Maximum Average Forward Output Current	$V_{(AV)}$					8.0 6.0			A A
Peak Forward Surge Current 8.3 ms single half sine-wave superimposed on rated load	I_{FSM}					150			A
Maximum DC Forward Voltage drop per element at 3.0A DC	V_F					1.1			V
Maximum DC Reverse Current at rated DC Blocking Voltage Per Element	I_R					10 1			μ A mA
I^2t Rating for fusing($t < 8.3ms$)	I^2t					64			A ² S
Typical Thermal Resistance	$R_{\theta JC}$					8			°C/W
Operating Temperature Range	T_J					-55 to +125			°C
Storage Temperature Range	T_{STG}					-55 to +150			°C

PB6 SERIES KBPC6 SERIES

SINGLE-PHASE SILICON BRIDGE



**CHENG-YI
ELECTRONIC**

RATING AND CHARACTERISTICS CURVES KBPC6 SERIES

Fig.1 - DERATING CURVE FOR
OUTPUT RECTIFIED CURRENT

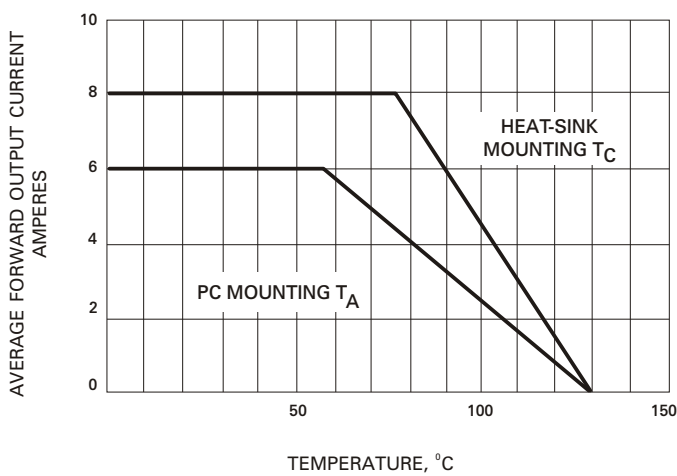


Fig.2 - TYPICAL REVERSE
CHARACTERISTICS

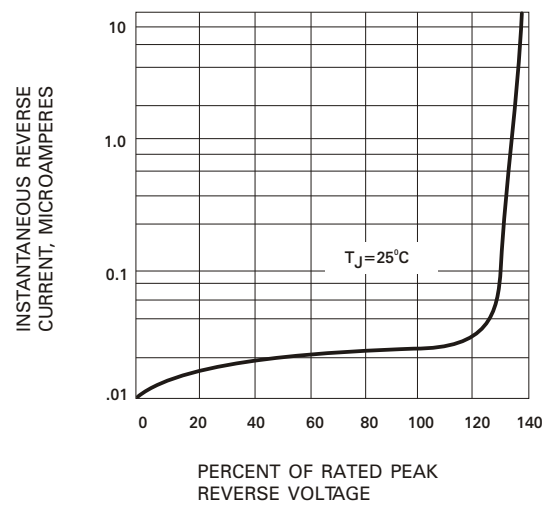


Fig.3 - MAXIMUM FORWARD SURGE CURRENT

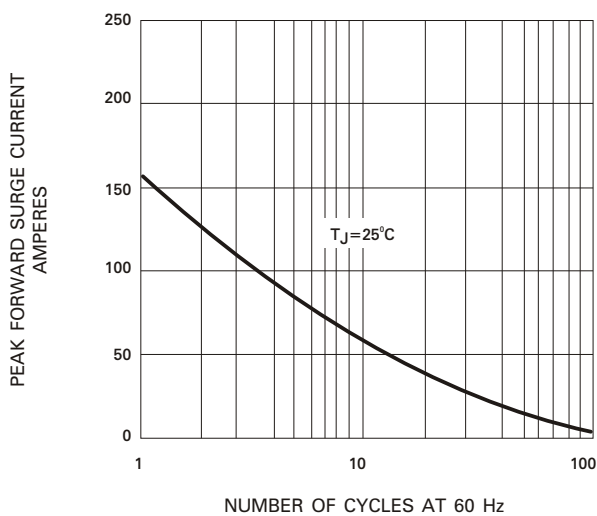


Fig.4 - TYPICAL INSTANTANEOUS FORWARD
CHARACTERISTICS

