



LU1T516H-34

“LAN-MATE” SERIES

SINGLE RJ45 CONNECTOR MODULE WITH INTEGRATED 10/100 BASE-TX MAGNETICS AND LEDS

P/N: LU1T516H34

Page : 1/2

Feature

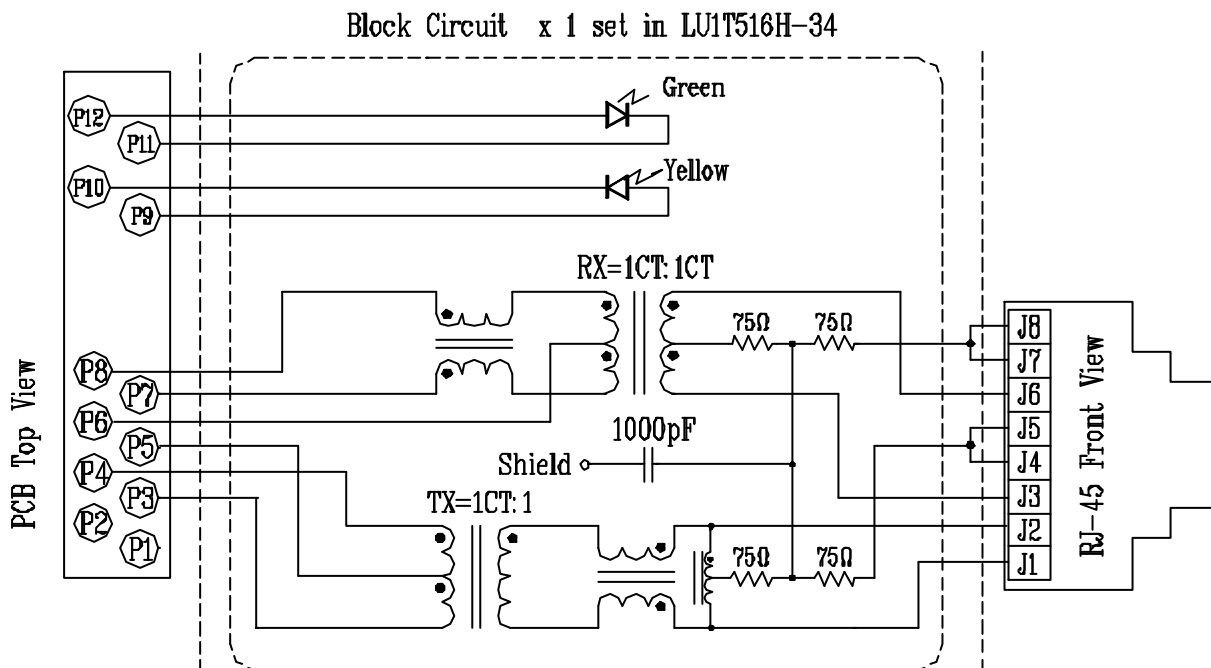


- RJ-45 connector integrated with X'FMR /Impedance resistor/High voltage capacitor.
- Size same as RJ-45 connector to save PCB Board space.
- Reduced EMI radiation to Improve EMI performance.
- Design for 100 BASE transmission over UTP-5 cable.
- Operating temperature range: 0 to +70 .
- Storage temperature range: -25 to +125 .

| Electrical Specifications @ 25° C |                   |         |   |                          |              |                                    |               |
|-----------------------------------|-------------------|---------|---|--------------------------|--------------|------------------------------------|---------------|
| Part Number                       | Turns Ratio (±5%) |         | OCL (uH Min) @ 100KHz/0.1V with 8mA DC Bias | C <sub>ww</sub> (pF Max) | L.L (uH Max) | Insertion Loss (dB Max) 0.3-100MHz | HI-POT (Vrms) |
|                                   | TX                | RX      |   |                          |              |                                    |               |
| LU1T516H-34                       | 1CT:1             | 1CT:1CT | 350   | 28                       | 0.4          | -1.15                              | 1500          |

| Continue    |                      |       |       |       |       |                     |          |           |              |          |           |
|-------------|----------------------|-------|-------|-------|-------|---------------------|----------|-----------|--------------|----------|-----------|
| Part Number | Return Loss (dB Min) |       |       |       |       | Cross talk (dB Min) |          |           | CMR (dB Min) |          |           |
|             | 30MHz                | 40MHz | 50MHz | 60MHz | 80MHz | 0.3-30MHz           | 30-60MHz | 60-100MHz | 1-30MHz      | 30-60MHz | 60-125MHz |
| LU1T516H-34 | -16                  | -14   | -13.5 | -13   | -10   | -40                 | -35      | -30       | -30          | -25      | -20       |

Schematic





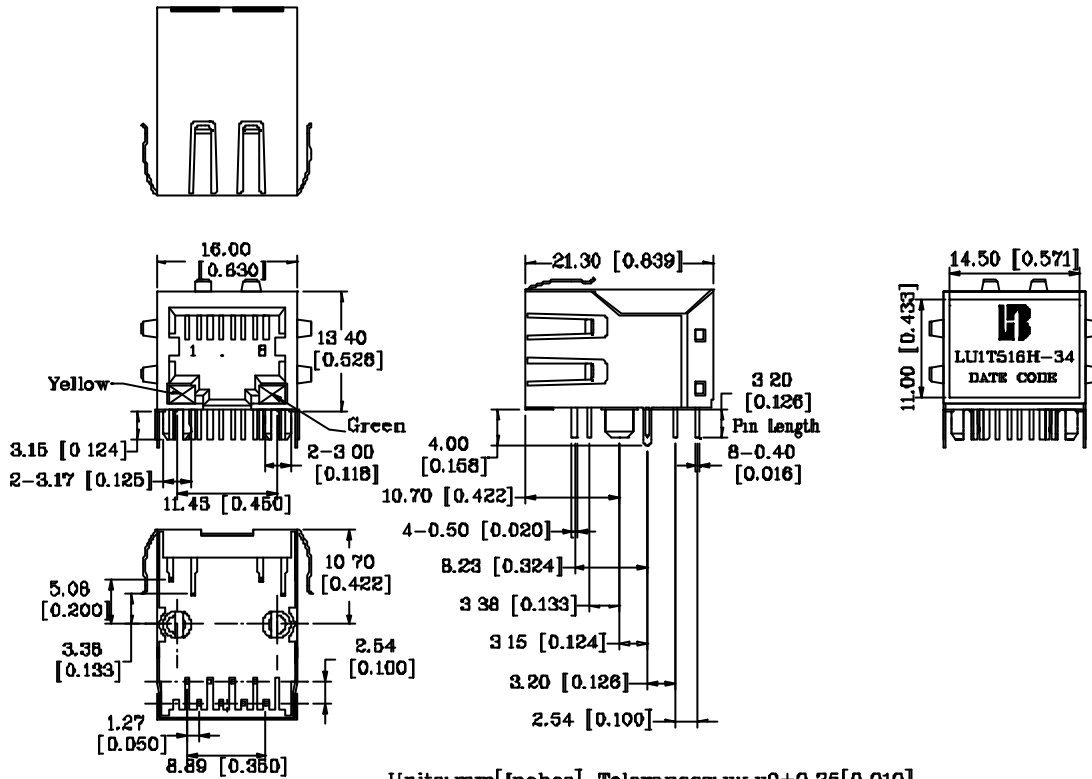
“LAN-MATE” SERIES

SINGLE RJ45 CONNECTOR MODULE WITH INTEGRATED 10/100 BASE-TX MAGNETICS AND LEDS

P/N: LU1T516H34

Page : 2/2

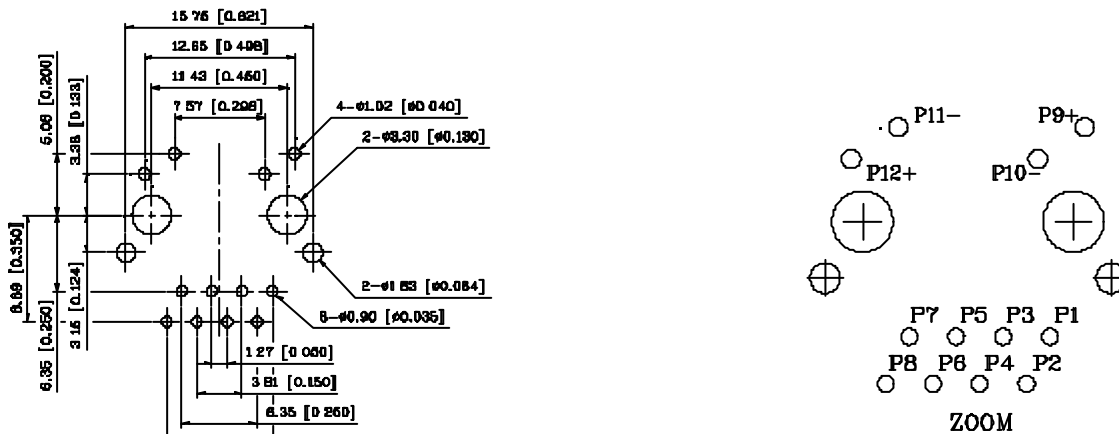
Mechanical



Units: mm[Inches] Tolerances: xx x0±0.25[0.010]  
0.xx±0.05[0.002]

- 1. Plastic Material : Thermoplastic (UL 94V-0), Black Housing
- 2. Metal Shield : Brass, 20u" inches thick Nickel
- 3. Spring Wire : Phosphor bronze with selective gold plating
- 4. Solder Pin : 0.4x0.4mm, Phosphor bronze with solder Plated
- 5. Durability : 750 Mating cycles Min.

PCB Layout Mounting Hole(Top View)



Units: mm[Inches]  
Tolerances: xx x0±0.25[0.010]  
0.xx±0.05[0.002]