

INTRODUCTION:

Adam Tech HMCA Series Card Edge Connectors include Standard and Express versions designed for PCB's in Peripheral Component Interconnect (PCI) applications. Each is manufactured in a four row, high density package which is completely compatible to industry standards and has specially engineered contacts which provide a very short electrical path between boards. Adam Tech card edge connectors are designed for high performance with solid board pegs and precision located, selectively gold plated contacts which are ideal in high speed, increased bandwidth applications

FEATURES:

- PCI and PCI Express Versions
- High density compact designs
- Industry standard PCI compatible
- Special contact design reduces electrical path
- Selectively plated contacts
- Open bottom for after solder cleaning

MATING PC BOARDS:

All .050" centerline printed circuit board pads with a thickness of .062" to .072"

SPECIFICATIONS:

Material:

Standard insulator: PPS, 30% glass reinforced, rated UL94V-0
Optional Hi-Temp insulator: Nylon 6T, rated UL94V-0
Insulator Color: Dark Brown (White 120 pos.)

Contacts: Phosphor Bronze

Contact Plating:

Gold Flash (30 μ m Optional) over Nickel underplate on contact area, tin over copper underplate on tails.

Electrical:

Operating voltage: 125V AC max.
Current rating: 1 Amp max.
Contact resistance: 30 m Ω max. initial
Insulation resistance: 1000 M Ω min.
Dielectric withstanding voltage: 500V AC for 1 minute

Mechanical:

Insertion force: 7 oz max.
Withdrawal force: 0.9 oz min

Temperature Rating:

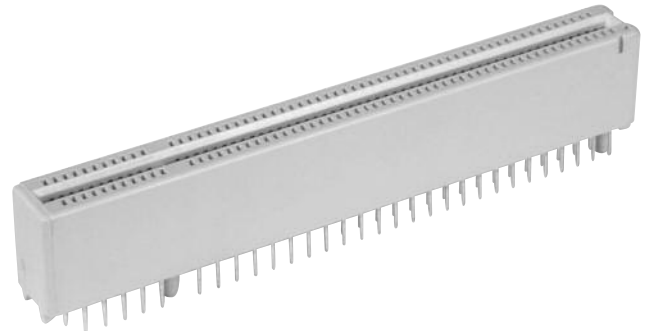
Operating temperature: -55°C to +105°C
Soldering process temperature:
Standard insulator: 235°C
Hi-Temp insulator: 260°C

PACKAGING:

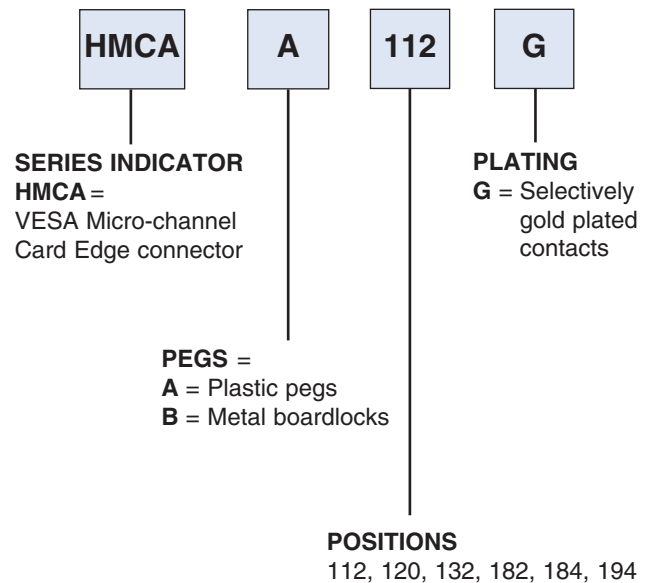
Anti-ESD plastic trays

SAFETY AGENCY APPROVALS:

UL Recognized File No. E224053
CSA Certified File No. LR1578596



ORDERING INFORMATION



OPTIONS

Add designator(s) to end of part number
30 = 30 μ m gold plating in contact area
HT = Hi-Temp insulator for Hi-Temp soldering processes up to 260°C