
HM51W17805 Series

16 M EDO DRAM (2-Mword × 8-bit)
2 k Refresh

ELPIDA

E0155H10 (Ver. 1.0)
(Previous ADE-203-631D (Z))
Jun. 27, 2001

Description

The HM51W17805 is a CMOS dynamic RAM organized 2,097,152-word × 8-bit. It employs the most advanced CMOS technology for high performance and low power. The HM51W17805 offers Extended Data Out (EDO) Page Mode as a high speed access mode. Multiplexed address input permits the HM51W17805 to be packaged in standard 28-pin plastic SOJ and 28-pin TSOP.

Features

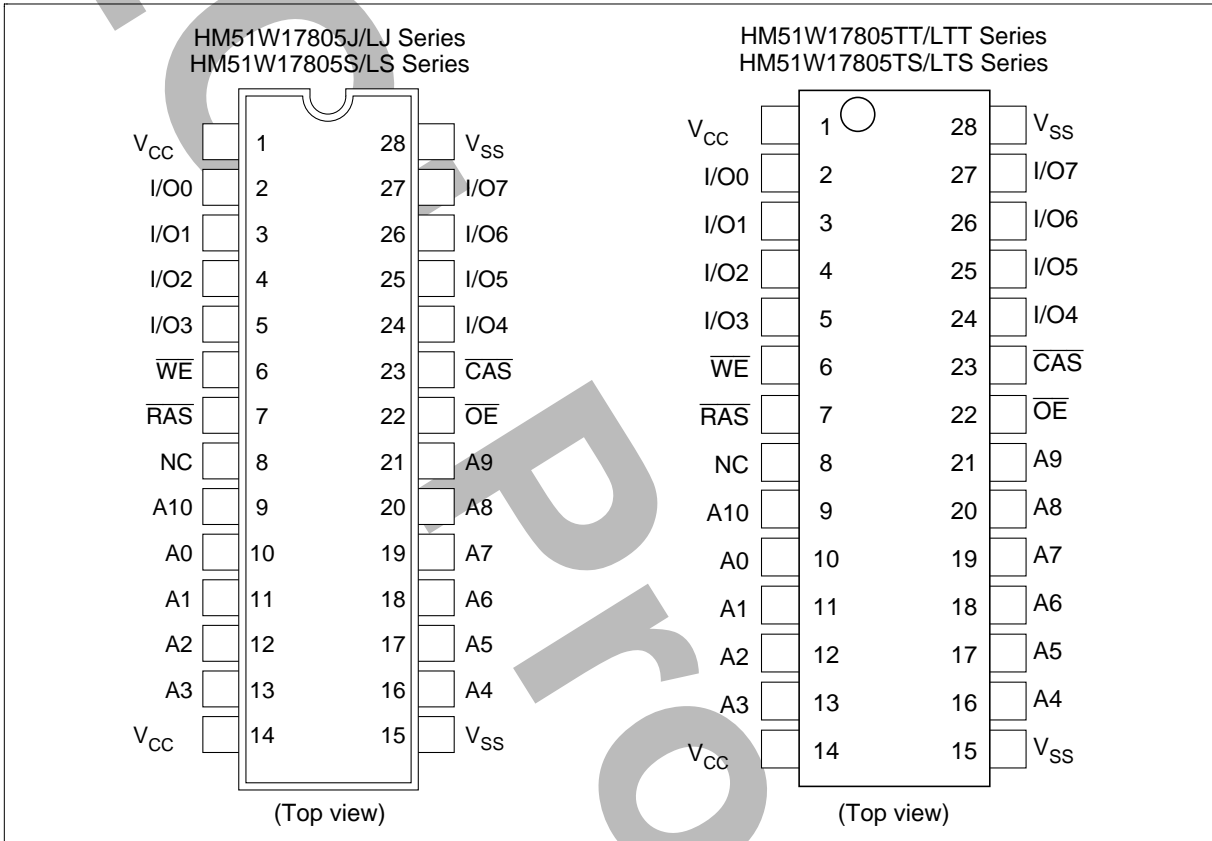
- Single 3.3 V (±0.3 V)
- Access time: 50 ns/60 ns/70 ns (max)
- Power dissipation
 - Active mode: 396 mW/360 mW/324 mW (max)
 - Standby mode : 7.2 mW (max)
: 0.54 mW (max) (L-version)
- EDO page mode capability
- Long refresh period
 - 2048 refresh cycles : 32 ms
: 128 ms (L-version)
- 4 variations of refresh
 - $\overline{\text{RAS}}$ -only refresh
 - $\overline{\text{CAS}}$ -before- $\overline{\text{RAS}}$ refresh
 - Hidden refresh
 - Self refresh (L-version)
- Battery backup operation (L-version)

HM51W17805 Series

Ordering Information

Type No.	Access time	Package
HM51W17805J-5	50 ns	400-mil 28-pin plastic SOJ (CP-28DA)
HM51W17805J-6	60 ns	
HM51W17805J-7	70 ns	
HM51W17805LJ-5	50 ns	
HM51W17805LJ-6	60 ns	
HM51W17805LJ-7	70 ns	
HM51W17805S-5	50 ns	300-mil 28-pin plastic SOJ (CP-28DNA)
HM51W17805S-6	60 ns	
HM51W17805S-7	70 ns	
HM51W17805LS-5	50 ns	
HM51W17805LS-6	60 ns	
HM51W17805LS-7	70 ns	
HM51W17805TT-5	50 ns	400-mil 28-pin plastic TSOP II (TTP-28DA)
HM51W17805TT-6	60 ns	
HM51W17805TT-7	70 ns	
HM51W17805LTT-5	50 ns	
HM51W17805LTT-6	60 ns	
HM51W17805LTT-7	70 ns	
HM51W17805TS-5	50 ns	300-mil 28-pin plastic TSOP II (TTP-28DB)
HM51W17805TS-6	60 ns	
HM51W17805TS-7	70 ns	
HM51W17805LTS-5	50 ns	
HM51W17805LTS-6	60 ns	
HM51W17805LTS-7	70 ns	

Pin Arrangement

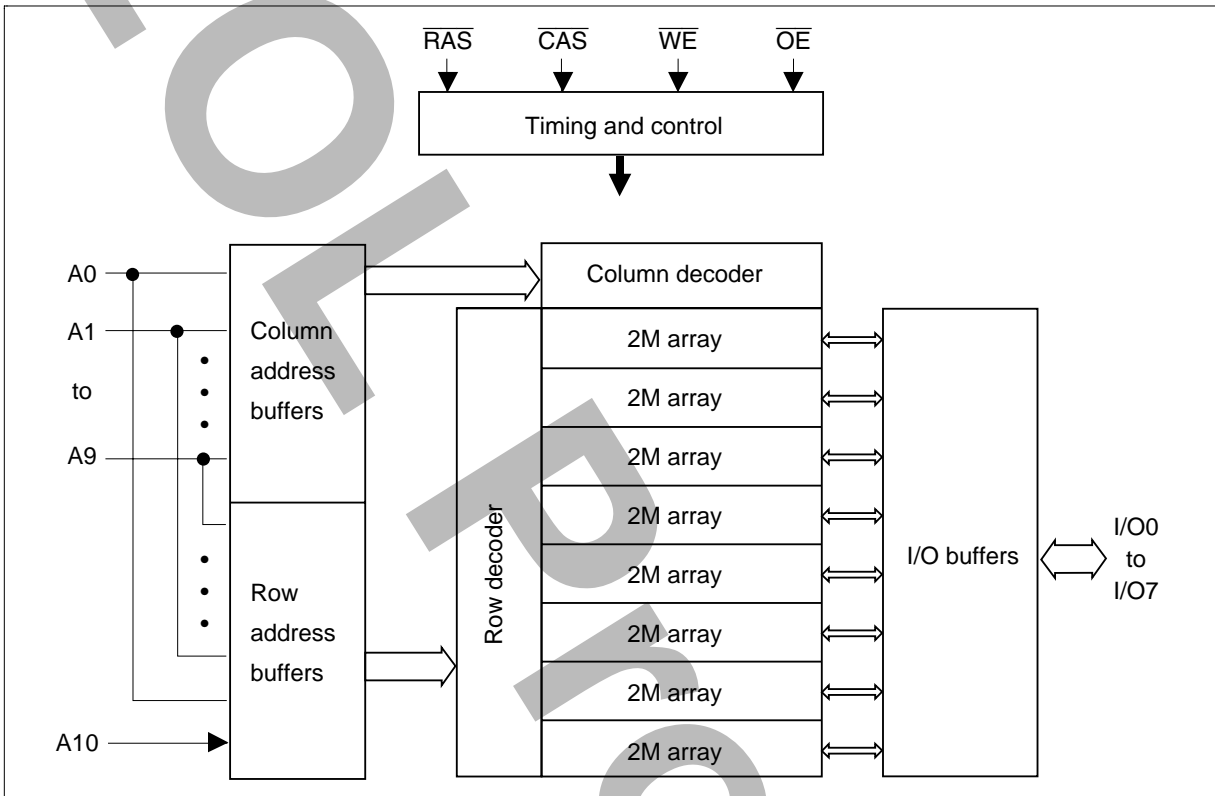


Pin Description

Pin name	Function
A0 to A10	Address input <ul style="list-style-type: none"> — Row/Refresh address A0 to A10 — Column address A0 to A9
I/O0 to I/O7	Data input/data output
\overline{RAS}	Row address strobe
CAS	Column address strobe
\overline{WE}	Read/Write enable
\overline{OE}	Output enable
V_{CC}	Power supply
V_{SS}	Ground
NC	No connection

HM51W17805 Series

Block Diagram



Absolute Maximum Ratings

Parameter	Symbol	Value	Unit
Voltage on any pin relative to V_{SS}	V_T	-0.5 to $V_{CC} + 0.5$ (≤ 4.6 V (max))	V
Supply voltage relative to V_{SS}	V_{CC}	-0.5 to +4.6	V
Short circuit output current	I_{out}	50	mA
Power dissipation	P_T	1.0	W
Operating temperature	T_{opr}	0 to +70	°C
Storage temperature	T_{stg}	-55 to +125	°C

Recommended DC Operating Conditions ($T_a = 0$ to +70°C)

Parameter	Symbol	Min	Typ	Max	Unit	Note
Supply voltage	V_{CC}	3.0	3.3	3.6	V	1
Input high voltage	V_{IH}	2.0	—	$V_{CC} + 0.3$	V	1
Input low voltage	V_{IL}	-0.3	—	0.8	V	1

Note: 1. All voltage referred to V_{SS} .

HM51W17805 Series

DC Characteristics (Ta = 0 to +70°C, V_{CC} = 3.3 V ± 0.3 V, V_{SS} = 0 V)

Parameter	Symbol	-5		-6		-7		Unit	Test conditions
		Min	Max	Min	Max	Min	Max		
Operating current ^{1, 2}	I _{CC1}	—	110	—	100	—	90	mA	t _{RC} = min
Standby current	I _{CC2}	—	2	—	2	—	2	mA	TTL interface R _{AS} , C _{AS} = V _{IH} Dout = High-Z
		—	1	—	1	—	1	mA	CMOS interface R _{AS} , C _{AS} ≥ V _{CC} - 0.2V Dout = High-Z
Standby current (L-version)	I _{CC2}	—	150	—	150	—	150	μA	CMOS interface R _{AS} , C _{AS} ≥ V _{CC} - 0.2V Dout = High-Z
R _{AS} -only refresh current ²	I _{CC3}	—	110	—	100	—	90	mA	t _{RC} = min
Standby current ¹	I _{CC5}	—	5	—	5	—	5	mA	R _{AS} = V _{IH} , C _{AS} = V _{IL} Dout = enable
C _{AS} -before-R _{AS} refresh current	I _{CC6}	—	110	—	100	—	90	mA	t _{RC} = min
EDO page mode current ^{1, 3}	I _{CC7}	—	100	—	90	—	85	mA	t _{HPC} = min
Battery backup current ⁴ (Standby with CBR refresh) (L-version)	I _{CC10}	—	400	—	400	—	400	μA	CMOS interface Dout = High-Z CBR refresh: t _{RC} = 62.5 μs t _{RAS} ≤ 0.3 μs
Self refresh mode current (L-version)	I _{CC11}	—	250	—	250	—	250	μA	CMOS interface R _{AS} , C _{AS} ≤ 0.2V Dout = High-Z
Input leakage current	I _{LI}	-10	10	-10	10	-10	10	μA	0 V ≤ Vin ≤ 4.6 V
Output leakage current	I _{LO}	-10	10	-10	10	-10	10	μA	0 V ≤ Vout ≤ 4.6 V Dout = disable
Output high voltage	V _{OH}	2.4	V _{CC}	2.4	V _{CC}	2.4	V _{CC}	V	High Iout = -2 mA
Output low voltage	V _{OL}	0	0.4	0	0.4	0	0.4	V	Low Iout = 2 mA

Notes: 1. I_{CC} depends on output load condition when the device is selected. I_{CC} max is specified at the output open condition.

2. Address can be changed once or less while R_{AS} = V_{IL}.

3. Address can be changed once or less while C_{AS} = V_{IH}.

4. C_{AS} = L (≤ 0.2 V) while R_{AS} = L (≤ 0.2 V).

HM51W17805 Series

Capacitance ($T_a = 25^\circ\text{C}$, $V_{CC} = 3.3\text{ V} \pm 0.3\text{ V}$)

Parameter	Symbol	Typ	Max	Unit	Notes
Input capacitance (Address)	C_{I1}	—	5	pF	1
Input capacitance (Clocks)	C_{I2}	—	7	pF	1
Output capacitance (Data-in, Data-out)	$C_{I/O}$	—	7	pF	1, 2

Notes: 1. Capacitance measured with Boonton Meter or effective capacitance measuring method.
2. $\overline{\text{CAS}} = V_{IH}$ to disable Dout.

AC Characteristics ($T_a = 0$ to $+70^\circ\text{C}$, $V_{CC} = 3.3\text{ V} \pm 0.3\text{ V}$, $V_{SS} = 0\text{ V}$)^{*1, *2, *18}

Test Conditions

- Input rise and fall time: 2 ns
- Input levels: $V_{IL} = 0\text{ V}$, $V_{IH} = 3\text{ V}$
- Input timing reference levels: 0.8 V, 2.0 V
- Output timing reference levels: 0.8 V, 2.0 V
- Output load: 1 TTL gate + C_L (100 pF) (Including scope and jig)

HM51W17805 Series

Read, Write, Read-Modify-Write and Refresh Cycles (Common parameters)

Parameter	Symbol	HM51W17805						Unit	Notes
		-5		-6		-7			
		Min	Max	Min	Max	Min	Max		
Random read or write cycle time	t_{RC}	84	—	104	—	124	—	ns	
\overline{RAS} precharge time	t_{RP}	30	—	40	—	50	—	ns	
\overline{CAS} precharge time	t_{CP}	8	—	10	—	13	—	ns	
\overline{RAS} pulse width	t_{RAS}	50	10000	60	10000	70	10000	ns	
\overline{CAS} pulse width	t_{CAS}	8	10000	10	10000	13	10000	ns	
Row address setup time	t_{ASR}	0	—	0	—	0	—	ns	
Row address hold time	t_{RAH}	8	—	10	—	10	—	ns	
Column address setup time	t_{ASC}	0	—	0	—	0	—	ns	
Column address hold time	t_{CAH}	8	—	10	—	13	—	ns	
\overline{RAS} to \overline{CAS} delay time	t_{RCD}	12	37	14	45	14	52	ns	3
\overline{RAS} to column address delay time	t_{RAD}	10	25	12	30	12	35	ns	4
\overline{RAS} hold time	t_{RSH}	10	—	13	—	13	—	ns	
\overline{CAS} hold time	t_{CSH}	35	—	40	—	45	—	ns	
\overline{CAS} to \overline{RAS} precharge time	t_{CRP}	5	—	5	—	5	—	ns	
\overline{OE} to Din delay time	t_{OED}	13	—	15	—	18	—	ns	5
\overline{OE} delay time from Din	t_{DZO}	0	—	0	—	0	—	ns	6
\overline{CAS} delay time from Din	t_{DZC}	0	—	0	—	0	—	ns	6
Transition time (rise and fall)	t_T	2	50	2	50	2	50	ns	7

HM51W17805 Series

Read Cycle

Parameter	Symbol	HM51W17805						Unit	Notes
		-5		-6		-7			
		Min	Max	Min	Max	Min	Max		
Access time from $\overline{\text{RAS}}$	t_{RAC}	—	50	—	60	—	70	ns	8, 9
Access time from $\overline{\text{CAS}}$	t_{CAC}	—	13	—	15	—	18	ns	9, 10, 17
Access time from address	t_{AA}	—	25	—	30	—	35	ns	9, 11, 17
Access time from $\overline{\text{OE}}$	t_{OEA}	—	13	—	15	—	18	ns	9
Read command setup time	t_{RCS}	0	—	0	—	0	—	ns	
Read command hold time to $\overline{\text{CAS}}$	t_{RCH}	0	—	0	—	0	—	ns	12
Read command hold time from $\overline{\text{RAS}}$	t_{RCHR}	50	—	60	—	70	—	ns	
Read command hold time to $\overline{\text{RAS}}$	t_{RRH}	0	—	0	—	0	—	ns	12
Column address to $\overline{\text{RAS}}$ lead time	t_{RAL}	25	—	30	—	35	—	ns	
Column address to $\overline{\text{CAS}}$ lead time	t_{CAL}	15	—	18	—	23	—	ns	
$\overline{\text{CAS}}$ to output in low-Z	t_{CLZ}	0	—	0	—	0	—	ns	
Output data hold time	t_{OH}	3	—	3	—	3	—	ns	20
Output data hold time from $\overline{\text{OE}}$	t_{OHO}	3	—	3	—	3	—	ns	
Output buffer turn-off time	t_{OFF}	—	13	—	15	—	15	ns	13, 20
Output buffer turn-off to $\overline{\text{OE}}$	t_{OEZ}	—	13	—	15	—	15	ns	13
$\overline{\text{CAS}}$ to Din delay time	t_{CDD}	13	—	15	—	18	—	ns	5
Output data hold time from $\overline{\text{RAS}}$	t_{OHR}	3	—	3	—	3	—	ns	20
Output buffer turn-off to $\overline{\text{RAS}}$	t_{OFR}	—	13	—	15	—	15	ns	20
Output buffer turn-off to $\overline{\text{WE}}$	t_{WEZ}	—	13	—	15	—	15	ns	
$\overline{\text{WE}}$ to Din delay time	t_{WED}	13	—	15	—	18	—	ns	
$\overline{\text{RAS}}$ to Din delay time	t_{RDD}	13	—	15	—	18	—	ns	
$\overline{\text{RAS}}$ next $\overline{\text{CAS}}$ delay time	t_{RNCD}	50	—	60	—	70	—	ns	

HM51W17805 Series

Write Cycle

		HM51W17805							
		-5		-6		-7			
Parameter	Symbol	Min	Max	Min	Max	Min	Max	Unit	Notes
Write command setup time	t_{WCS}	0	—	0	—	0	—	ns	14
Write command hold time	t_{WCH}	8	—	10	—	13	—	ns	
Write command pulse width	t_{WP}	8	—	10	—	10	—	ns	
Write command to \overline{RAS} lead time	t_{RWL}	8	—	10	—	13	—	ns	
Write command to \overline{CAS} lead time	t_{CWL}	8	—	10	—	13	—	ns	
Data-in setup time	t_{DS}	0	—	0	—	0	—	ns	15
Data-in hold time	t_{DH}	8	—	10	—	13	—	ns	15

Read-Modify-Write Cycle

		HM51W17805							
		-5		-6		-7			
Parameter	Symbol	Min	Max	Min	Max	Min	Max	Unit	Notes
Read-modify-write cycle time	t_{RWC}	111	—	135	—	161	—	ns	
\overline{RAS} to \overline{WE} delay time	t_{RWD}	67	—	79	—	92	—	ns	14
\overline{CAS} to \overline{WE} delay time	t_{CWD}	30	—	34	—	40	—	ns	14
Column address to \overline{WE} delay time	t_{AWD}	42	—	49	—	57	—	ns	14
\overline{OE} hold time from \overline{WE}	t_{OEH}	13	—	15	—	18	—	ns	

Refresh Cycle

		HM51W17805							
		-5		-6		-7			
Parameter	Symbol	Min	Max	Min	Max	Min	Max	Unit	Notes
\overline{CAS} setup time (CBR refresh cycle)	t_{CSR}	5	—	5	—	5	—	ns	
\overline{CAS} hold time (CBR refresh cycle)	t_{CHR}	8	—	10	—	10	—	ns	
\overline{WE} setup time (CBR refresh cycle)	t_{WRP}	0	—	0	—	0	—	ns	
\overline{WE} hold time (CBR refresh cycle)	t_{WRH}	8	—	10	—	10	—	ns	
\overline{RAS} precharge to \overline{CAS} hold time	t_{RPC}	5	—	5	—	5	—	ns	

HM51W17805 Series

EDO Page Mode Cycle

Parameter	Symbol	HM51W17805						Unit	Notes
		-5		-6		-7			
		Min	Max	Min	Max	Min	Max		
EDO page mode cycle time	t_{HPC}	20	—	25	—	30	—	ns	19
EDO page mode RAS pulse width	t_{RASP}	—	100000	—	100000	—	100000	ns	16
Access time from CAS precharge	t_{CPA}	—	30	—	35	—	40	ns	9, 17
RAS hold time from CAS precharge	t_{CPRH}	30	—	35	—	40	—	ns	
Output data hold time from CAS low	t_{DOH}	3	—	3	—	3	—	ns	9, 17
CAS hold time referred OE	t_{COL}	8	—	10	—	13	—	ns	
CAS to OE setup time	t_{COP}	5	—	5	—	5	—	ns	
Read command hold time from CAS precharge	t_{RCHC}	30	—	35	—	40	—	ns	

EDO Page Mode Read-Modify-Write Cycle

Parameter	Symbol	HM51W17805						Unit	Notes
		-5		-6		-7			
		Min	Max	Min	Max	Min	Max		
EDO page mode read- modify-write cycle time	t_{HPRWC}	57	—	68	—	79	—	ns	
WE delay time from CAS precharge	t_{CPW}	45	—	54	—	62	—	ns	14

Refresh

Parameter	Symbol	Max	Unit	Note
Refresh period	t_{REF}	32	ms	2048 cycles
Refresh period (L-version)	t_{REF}	128	ms	2048 cycles

HM51W17805 Series

Self Refresh Mode (L-version)

Parameter	Symbol	HM51W17805L						Unit	Notes
		-5		-6		-7			
		Min	Max	Min	Max	Min	Max		
$\overline{\text{RAS}}$ pulse width (self refresh)	t_{RASS}	100	—	100	—	100	—	μs	
$\overline{\text{RAS}}$ precharge time (self refresh)	t_{RPS}	90	—	110	—	130	—	ns	
$\overline{\text{CAS}}$ hold time (self refresh)	t_{CHS}	-50	—	-50	—	-50	—	ns	

- Notes:
- AC measurements assume $t_{\tau} = 2 \text{ ns}$.
 - An initial pause of $200 \mu\text{s}$ is required after power up followed by a minimum of eight initialization cycles (any combination of cycles containing $\overline{\text{RAS}}$ -only refresh or $\overline{\text{CAS}}$ -before- $\overline{\text{RAS}}$ refresh). If the internal refresh counter is used, a minimum of eight $\overline{\text{CAS}}$ -before- $\overline{\text{RAS}}$ refresh cycles are required.
 - Operation with the t_{RCD} (max) limit insures that t_{RAC} (max) can be met, t_{RCD} (max) is specified as a reference point only; if t_{RCD} is greater than the specified t_{RCD} (max) limit, then access time is controlled exclusively by t_{CAC} .
 - Operation with the t_{RAD} (max) limit insures that t_{RAC} (max) can be met, t_{RAD} (max) is specified as a reference point only; if t_{RAD} is greater than the specified t_{RAD} (max) limit, then access time is controlled exclusively by t_{AA} .
 - Either t_{OED} or t_{CDD} must be satisfied.
 - Either t_{DZO} or t_{DZC} must be satisfied.
 - V_{IH} (min) and V_{IL} (max) are reference levels for measuring timing of input signals. Also, transition times are measured between V_{IH} (min) and V_{IL} (max).
 - Assumes that $t_{\text{RCD}} \leq t_{\text{RCD}}$ (max) and $t_{\text{RAD}} \leq t_{\text{RAD}}$ (max). If t_{RCD} or t_{RAD} is greater than the maximum recommended value shown in this table, t_{RAC} exceeds the value shown.
 - Measured with a load circuit equivalent to 1 TTL loads and 100 pF .
 - Assumes that $t_{\text{RCD}} \geq t_{\text{RCD}}$ (max) and $t_{\text{RAD}} \leq t_{\text{RAD}}$ (max).
 - Assumes that $t_{\text{RCD}} \leq t_{\text{RCD}}$ (max) and $t_{\text{RAD}} \geq t_{\text{RAD}}$ (max).
 - Either t_{RCH} or t_{RRH} must be satisfied for a read cycles.
 - t_{OFF} (max) and t_{OEZ} (max) define the time at which the outputs achieve the open circuit condition and are not referred to output voltage levels.
 - t_{WCS} , t_{RWD} , t_{CWD} , t_{AWD} and t_{CPW} are not restrictive operating parameters. They are included in the data sheet as electrical characteristics only; if $t_{\text{WCS}} \geq t_{\text{WCS}}$ (min), the cycle is an early write cycle and the data out pin will remain open circuit (high impedance) throughout the entire cycle; if $t_{\text{RWD}} \geq t_{\text{RWD}}$ (min), $t_{\text{CWD}} \geq t_{\text{CWD}}$ (min), and $t_{\text{AWD}} \geq t_{\text{AWD}}$ (min), or $t_{\text{CWD}} \geq t_{\text{CWD}}$ (min), $t_{\text{AWD}} \geq t_{\text{AWD}}$ (min) and $t_{\text{CPW}} \geq t_{\text{CPW}}$ (min), the cycle is a read-modify-write and the data output will contain data read from the selected cell; if neither of the above sets of conditions is satisfied, the condition of the data out (at access time) is indeterminate.
 - These parameters are referred to $\overline{\text{CAS}}$ leading edge in early write cycles and to $\overline{\text{WE}}$ leading edge in delayed write or read-modify-write cycles.
 - t_{RASP} defines $\overline{\text{RAS}}$ pulse width in EDO page mode cycles.
 - Access time is determined by the longest among t_{AA} , t_{CAC} and t_{CPA} .
 - In delayed write or read-modify-write cycles, $\overline{\text{OE}}$ must disable output buffer prior to applying data to the device.
 - t_{HPC} (min) can be achieved during a series of EDO page mode write cycles or EDO page mode read cycles. If both write and read operation are mixed in a EDO page mode $\overline{\text{RAS}}$ cycle (EDO page mode mix cycle (1), (2)), minimum value of $\overline{\text{CAS}}$ cycle ($t_{\text{CAS}} + t_{\text{CP}} + 2 t_{\tau}$) becomes greater than the specified t_{HPC} (min) value. The value of $\overline{\text{CAS}}$ cycle time of mixed EDO page mode is shown in EDO page mode mix cycle (1) and (2).

20. Data output turns off and becomes high impedance from later rising edge of $\overline{\text{RAS}}$ and $\overline{\text{CAS}}$. Hold time and turn off time are specified by the timing specifications of later rising edge of $\overline{\text{RAS}}$ and $\overline{\text{CAS}}$ between t_{OHR} and t_{OH} , and between t_{OFR} and t_{OFF} .
21. Please do not use t_{RASS} timing, $10 \mu\text{s} \leq t_{\text{RASS}} \leq 100 \mu\text{s}$. During this period, the device is in transition state from normal operation mode to self refresh mode. If $t_{\text{RASS}} \geq 100 \mu\text{s}$, then $\overline{\text{RAS}}$ precharge time should use t_{RPS} instead of t_{RP} .
22. If you use $\overline{\text{RAS}}$ only refresh or CBR burst refresh mode in normal read/write cycles, 2048 cycles of distributed CBR refresh with $15.6 \mu\text{s}$ interval should be executed within 32 ms immediately after exiting from and before entering into the self refresh mode.
23. If you use distributed CBR refresh mode with $15.6 \mu\text{s}$ interval in normal read/write cycle, CBR refresh should be executed within $15.6 \mu\text{s}$ immediately after exiting from and before entering into self refresh mode.
24. Repetitive self refresh mode without refreshing all memory is not allowed. Once you exit from self refresh mode, all memory cells need to be refreshed before re-entering the self refresh mode again.
25. XXX: H or L (H: $V_{\text{IH}}(\text{min}) \leq V_{\text{IN}} \leq V_{\text{IH}}(\text{max})$, L: $V_{\text{IL}}(\text{min}) \leq V_{\text{IN}} \leq V_{\text{IL}}(\text{max})$)

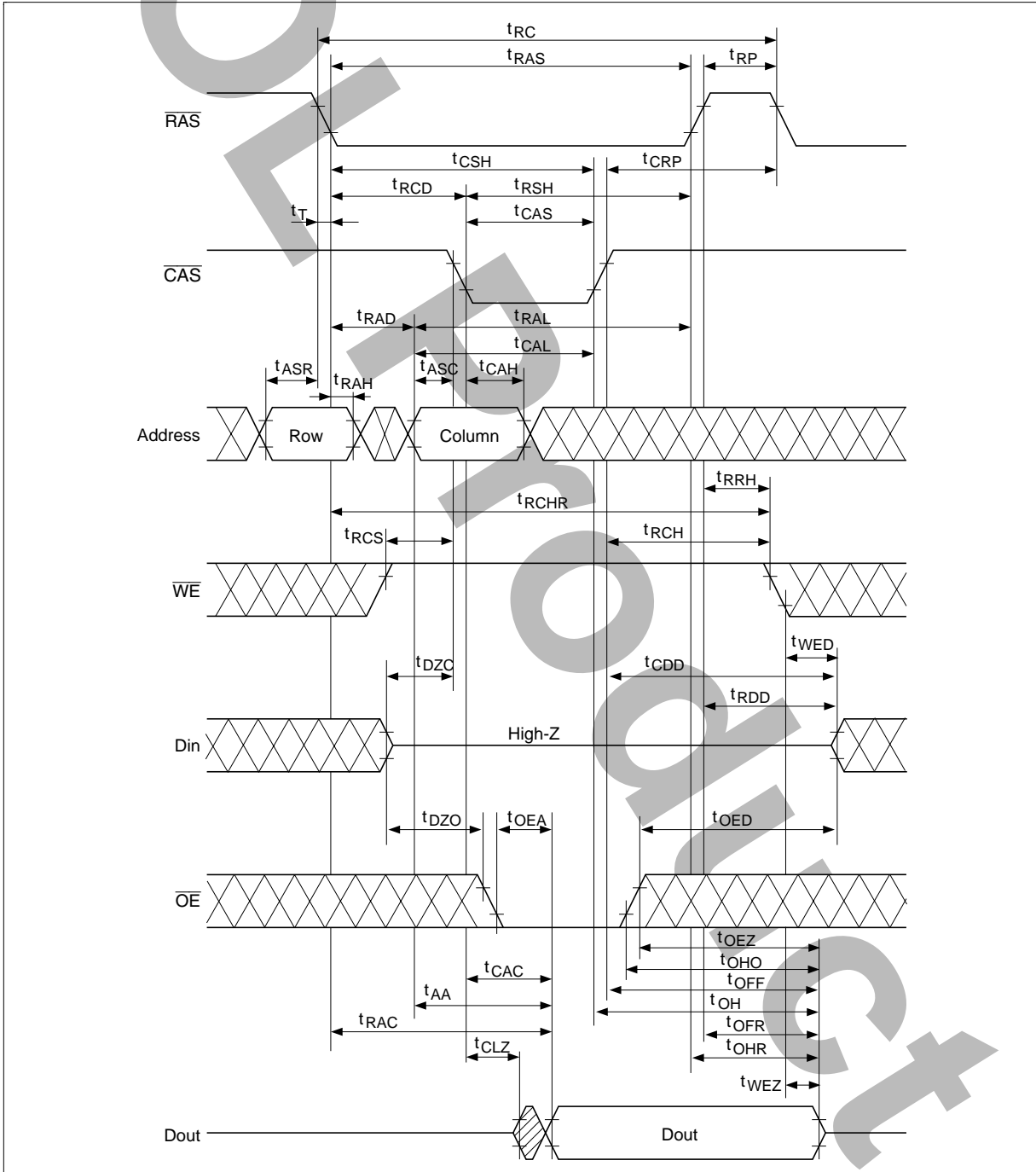
//////: Invalid Dout

When the address, clock and input pins are not described on timing waveforms, their pins must be applied V_{IH} or V_{IL} .

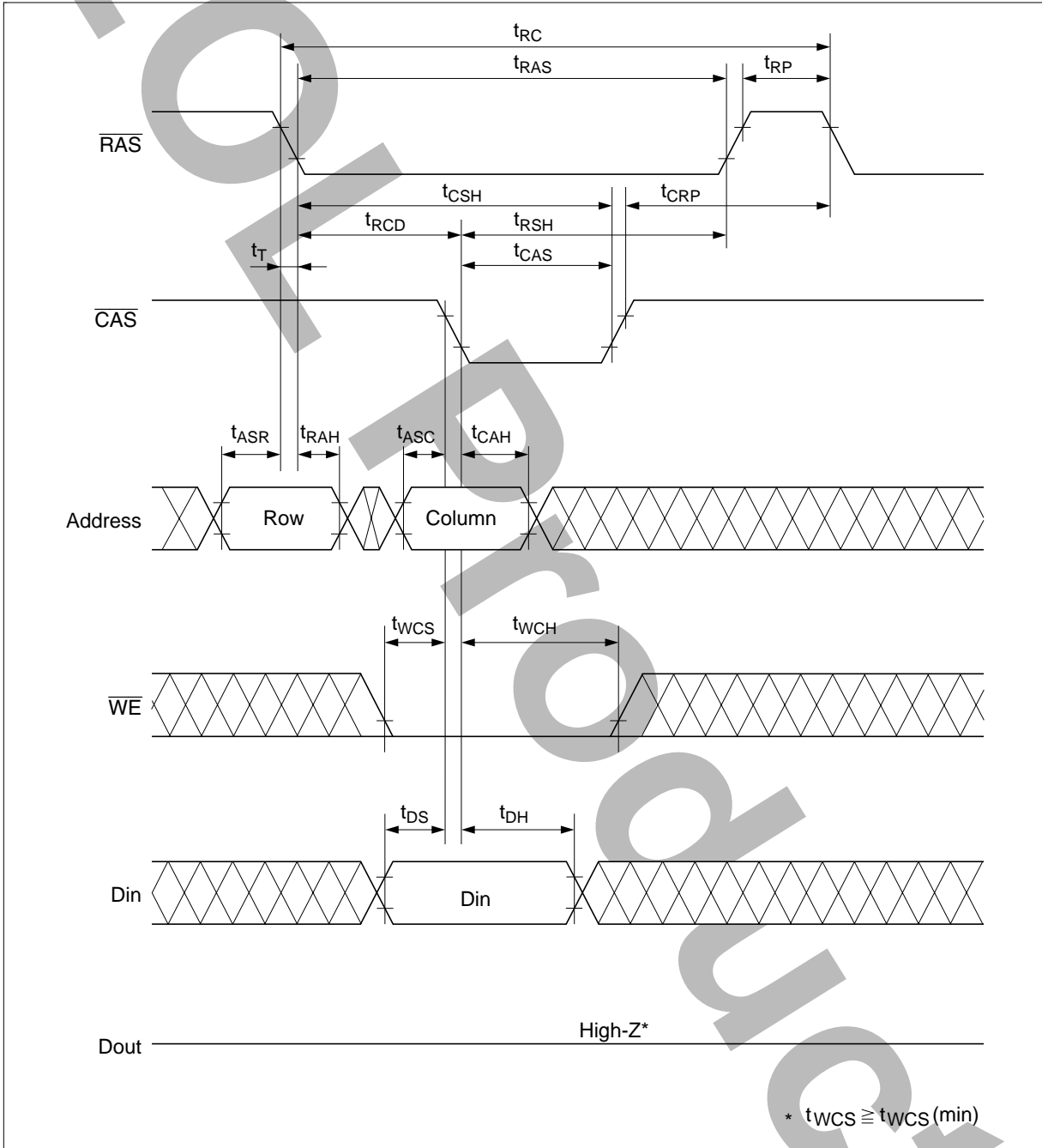
HM51W17805 Series

Timing Waveforms ^{*25}

Read Cycle

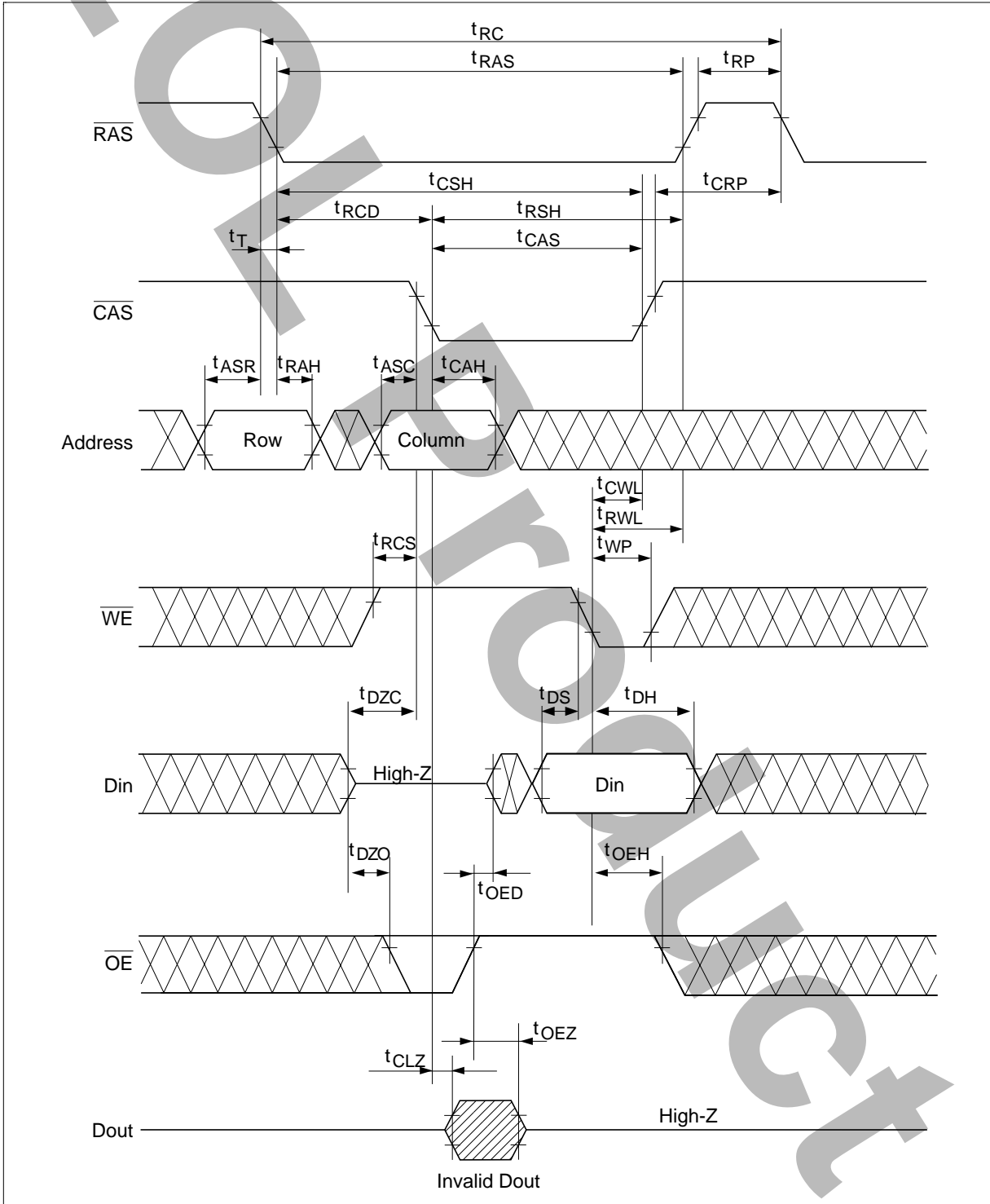


Early Write Cycle

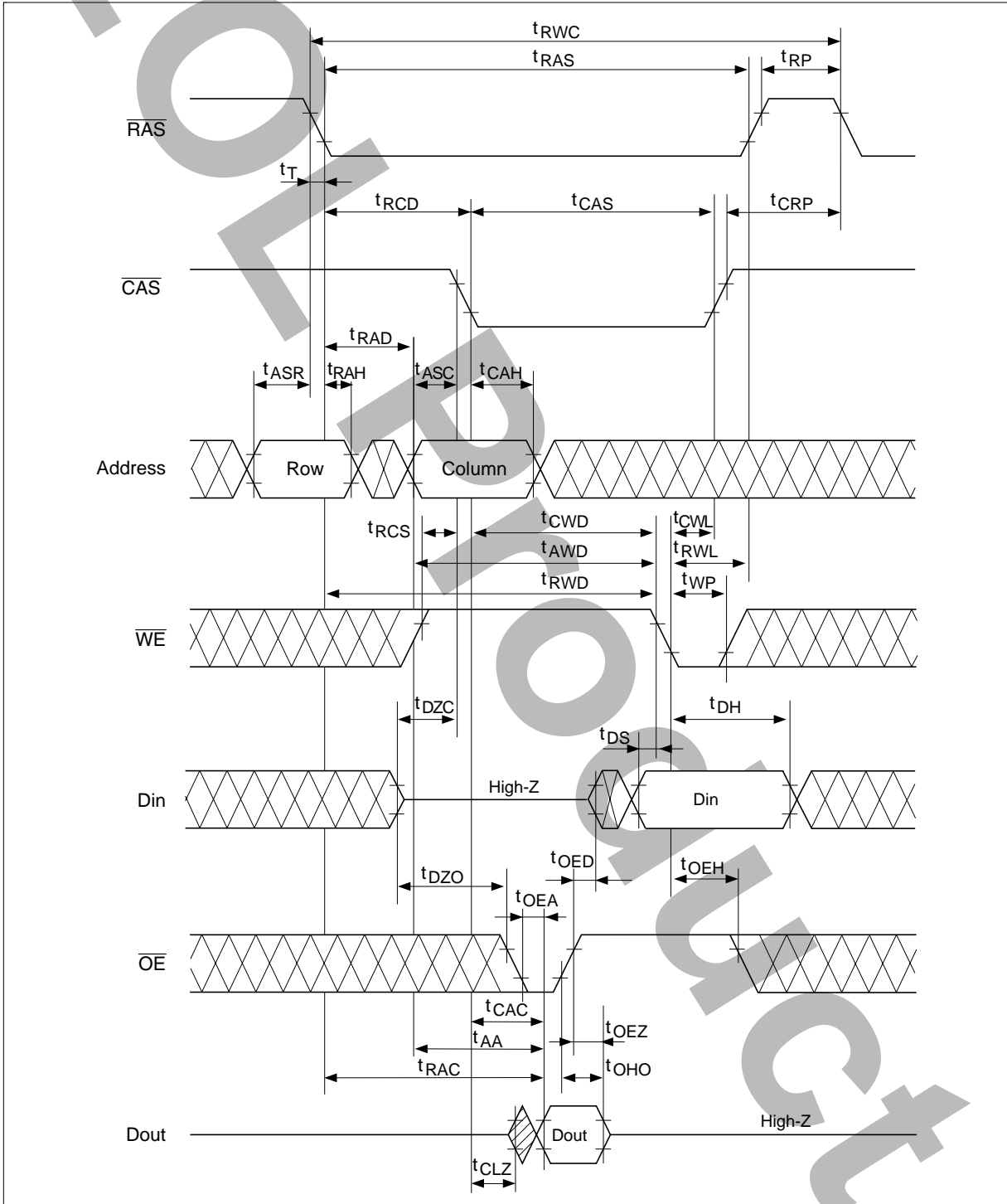


HM51W17805 Series

Delayed Write Cycle¹⁸

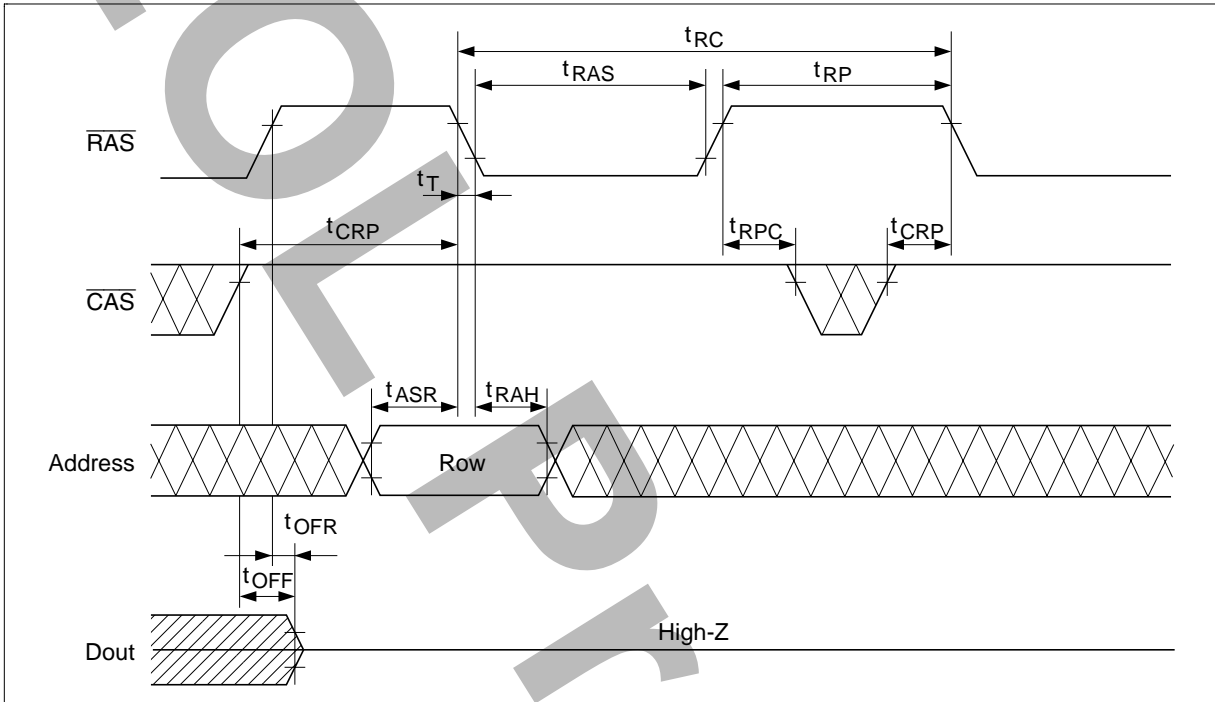


Read-Modify-Write Cycle^{*18}

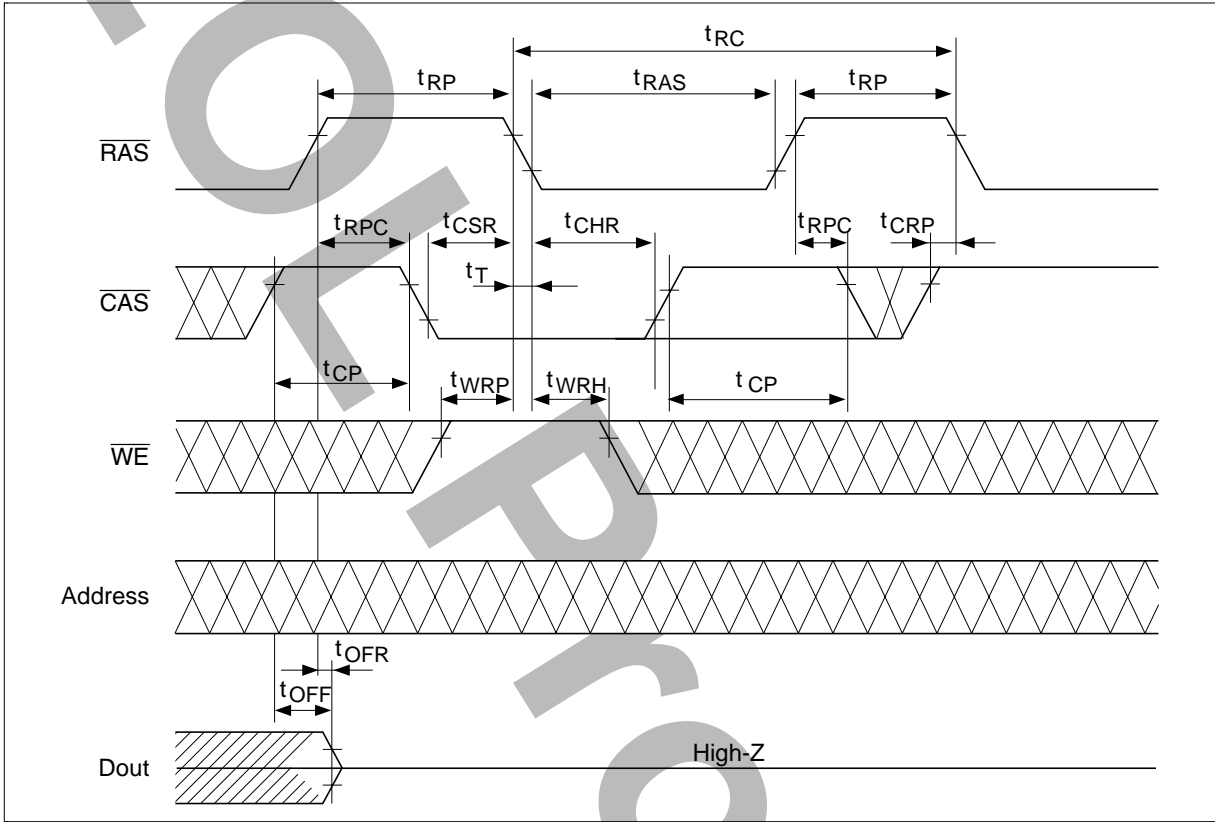


HM51W17805 Series

RAS-Only Refresh Cycle

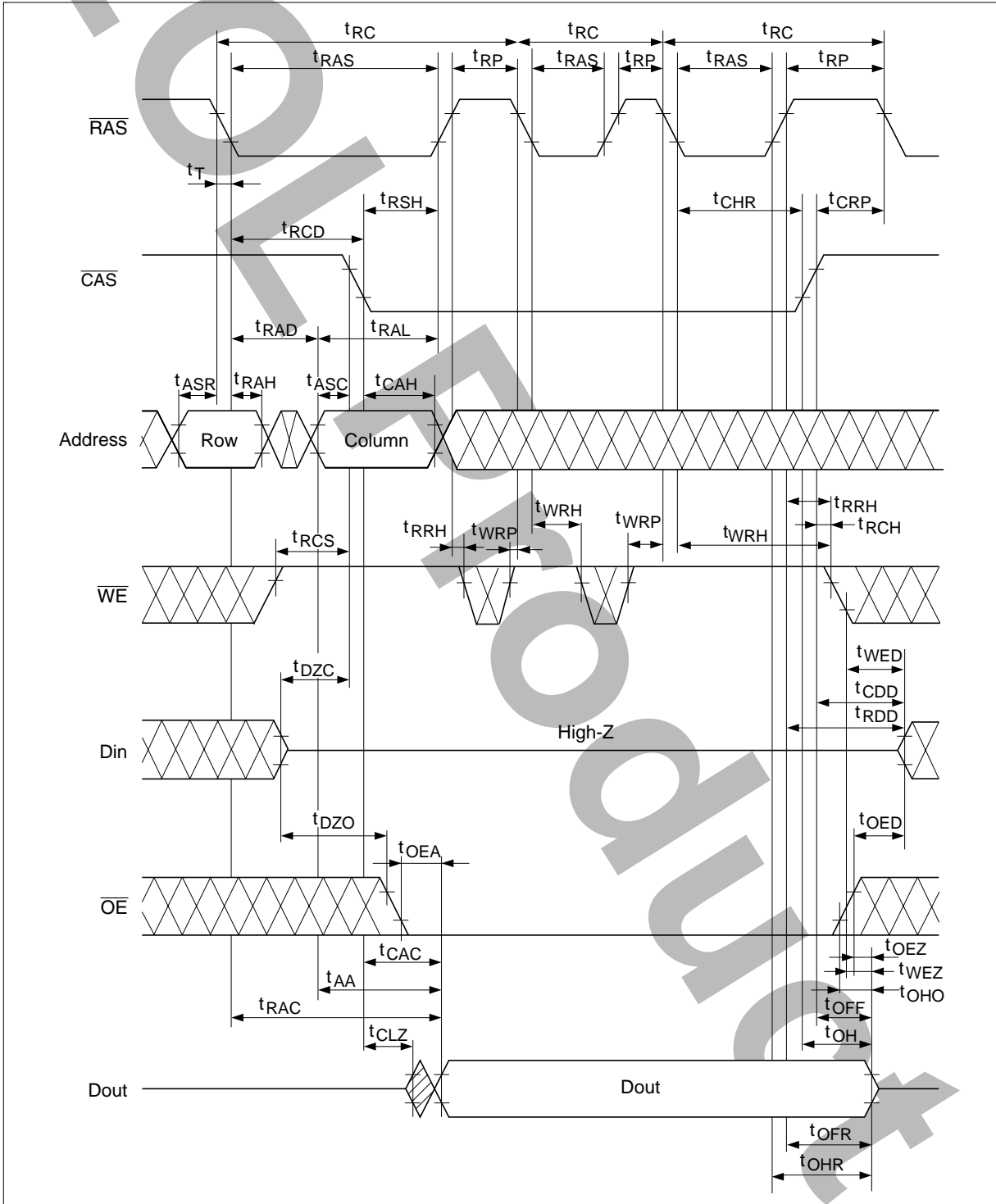


CAS-Before-RAS Refresh Cycle

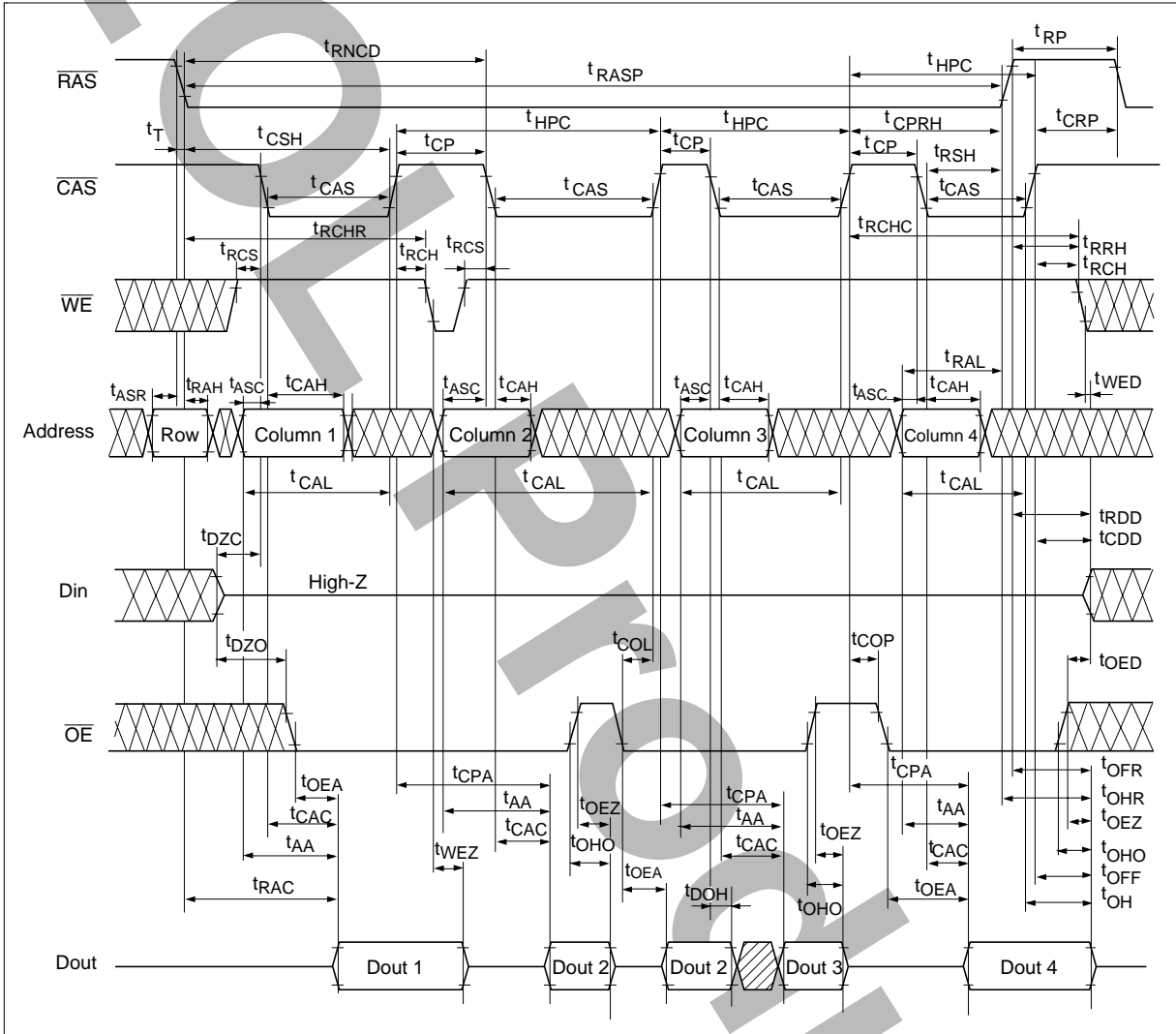


HM51W17805 Series

Hidden Refresh Cycle

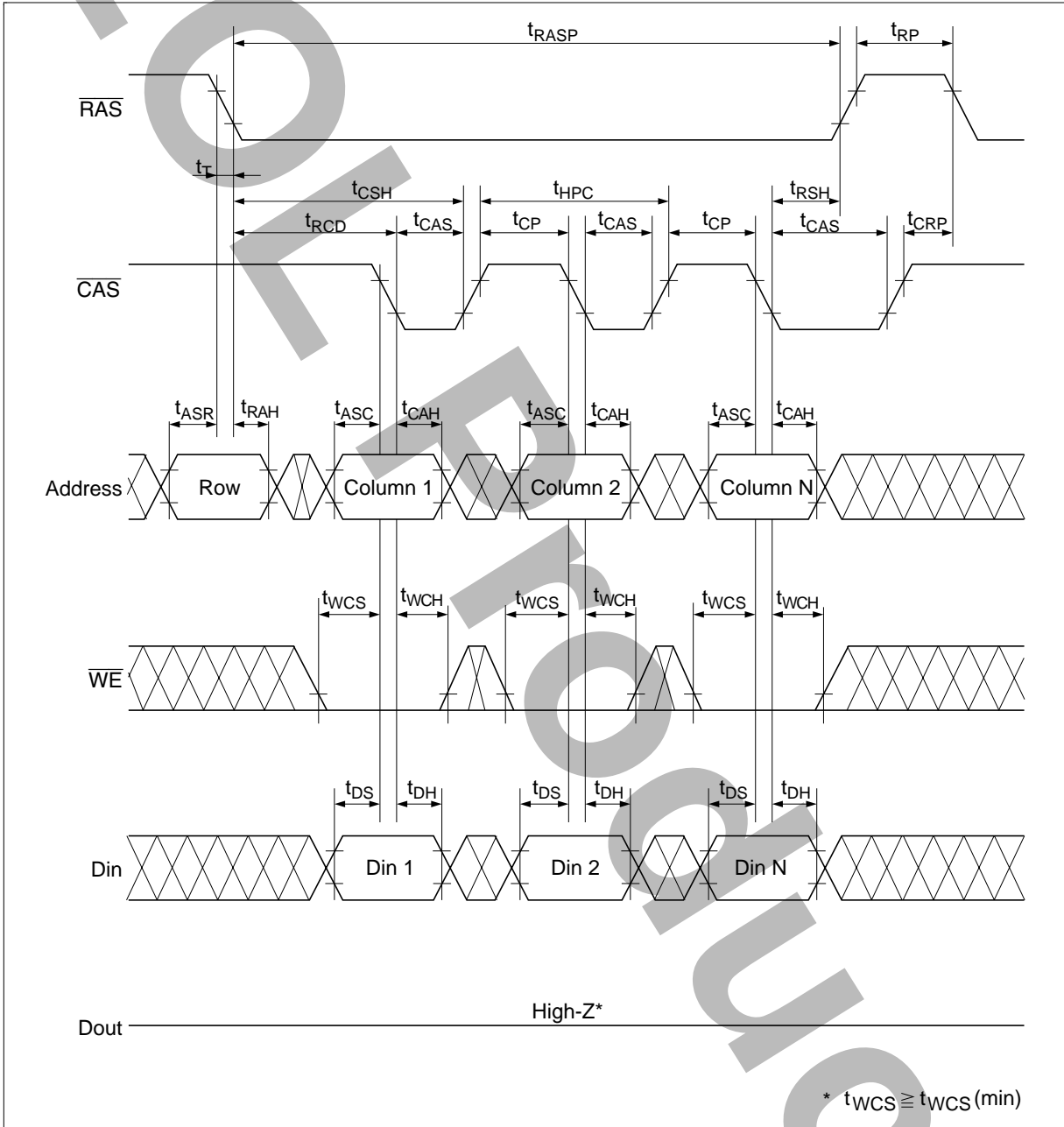


EDO Page Mode Read Cycle

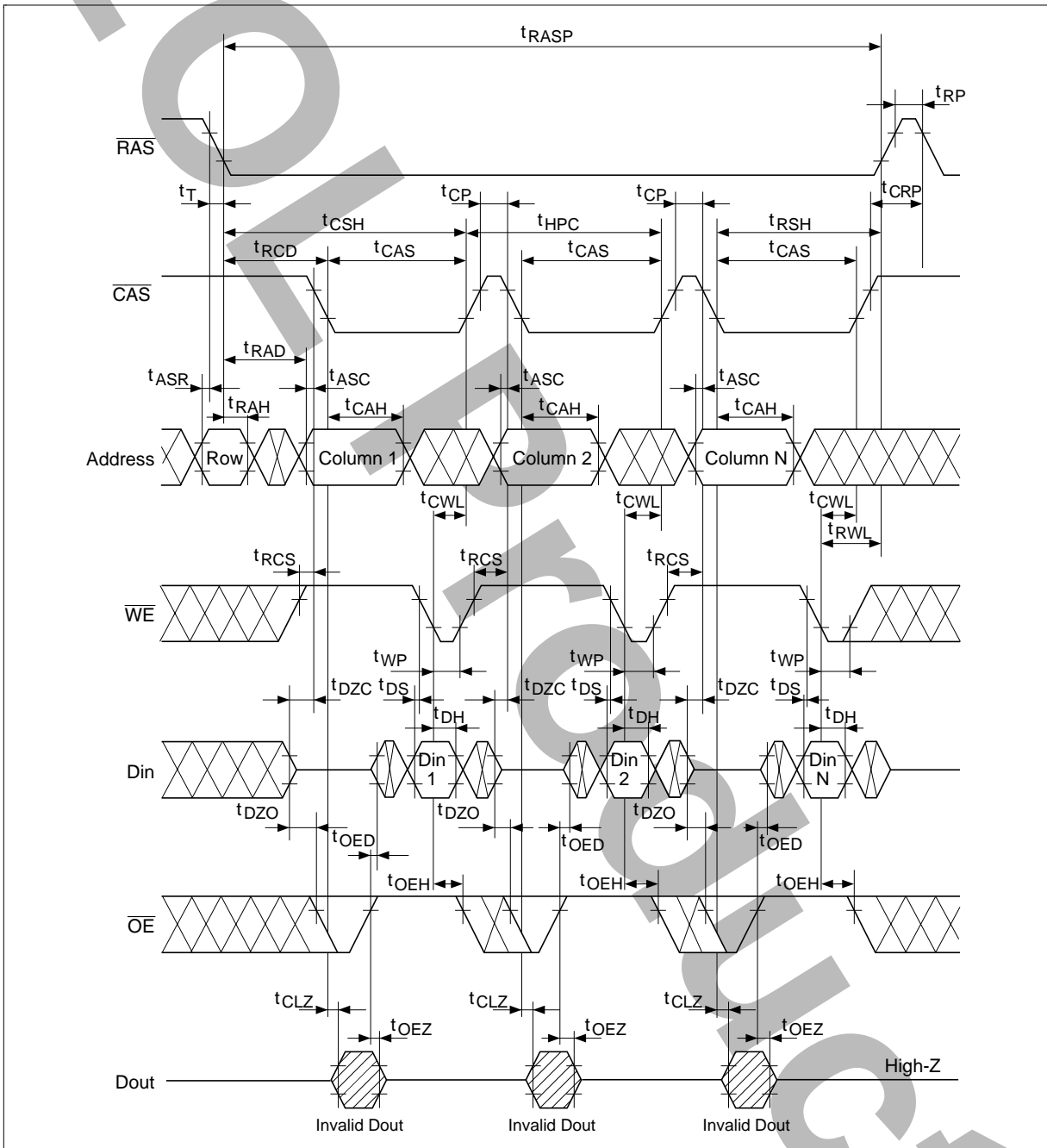


HM51W17805 Series

EDO Page Mode Early Write Cycle

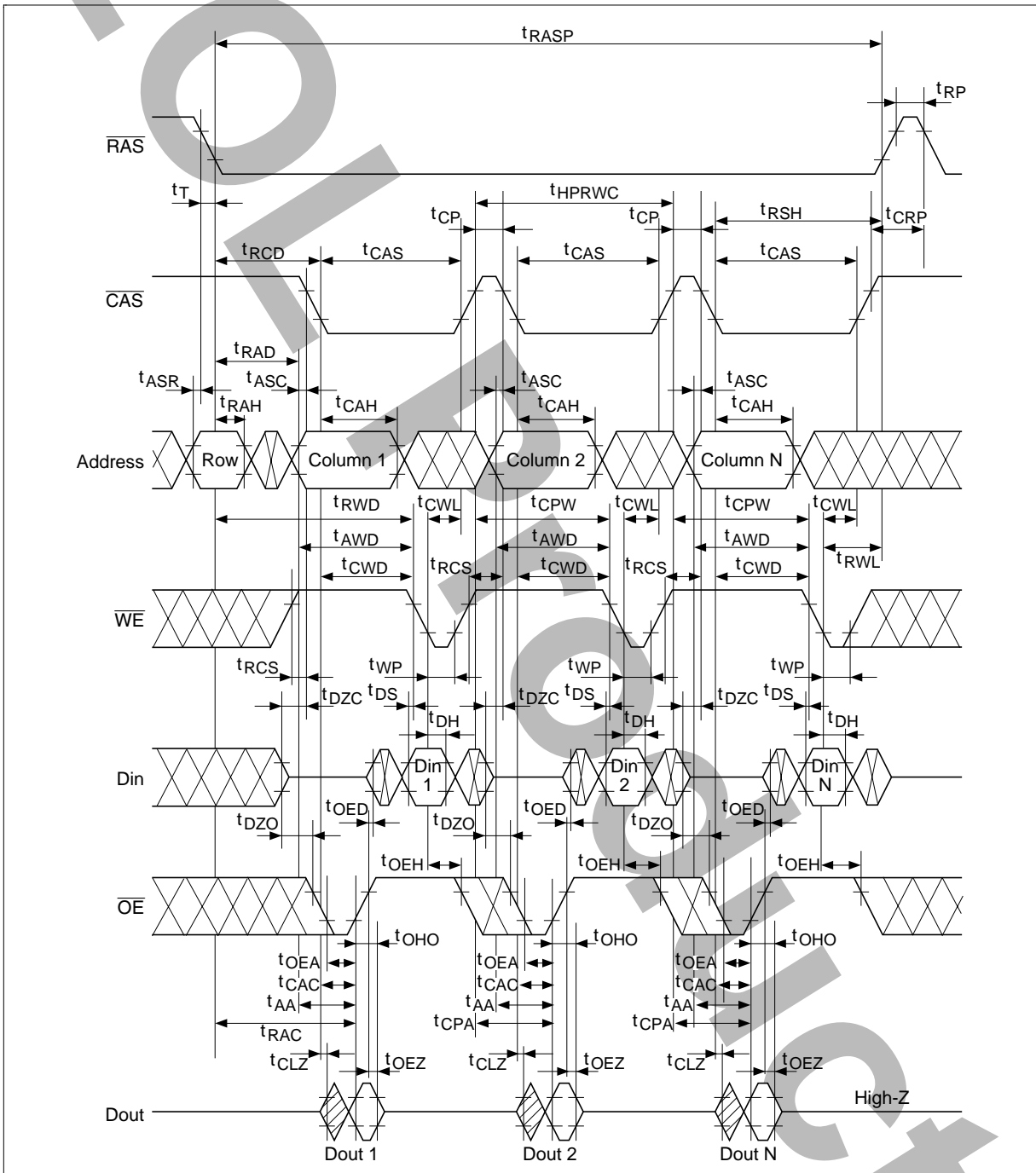


EDO Page Mode Delayed Write Cycle^{*18}

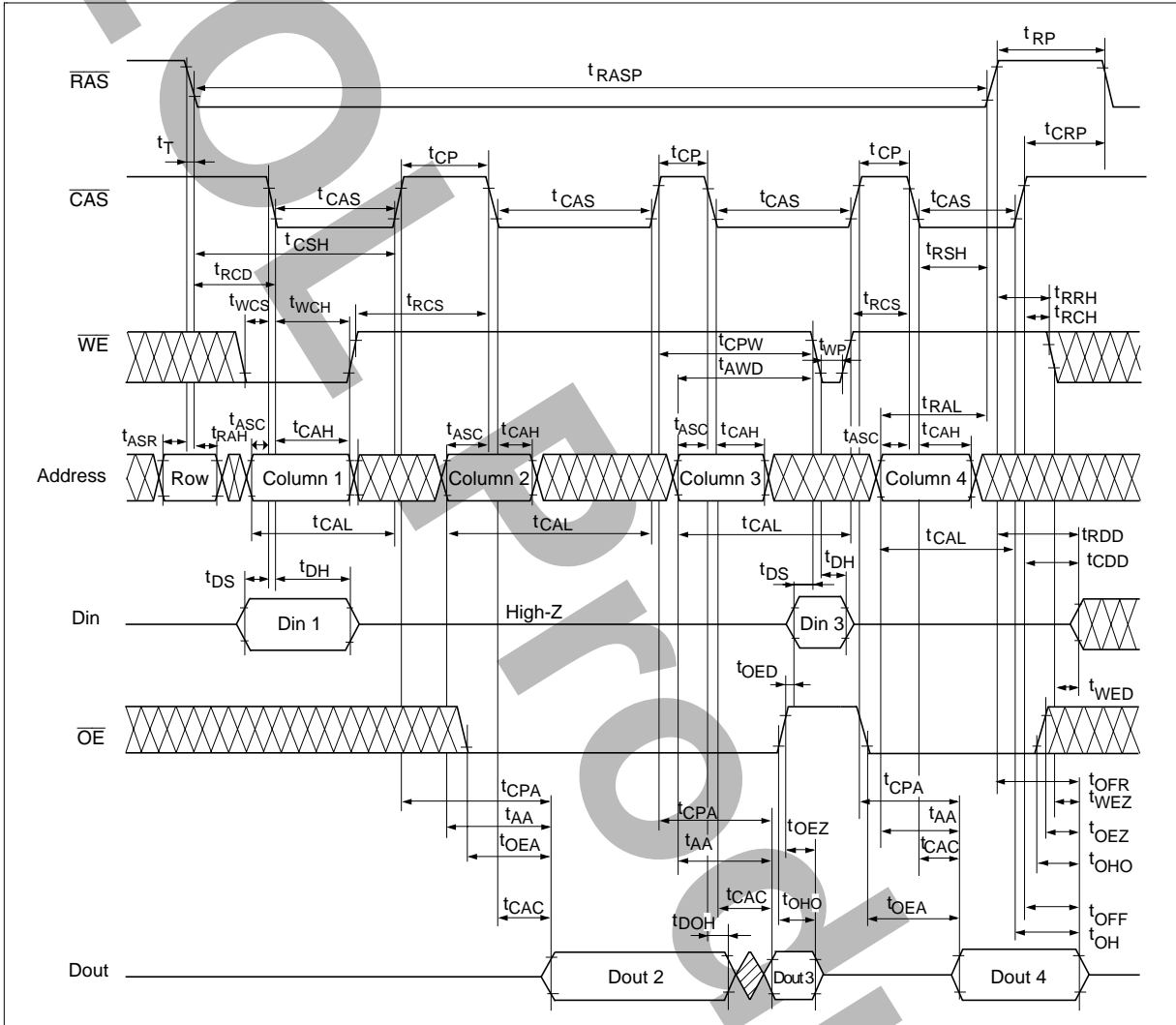


HM51W17805 Series

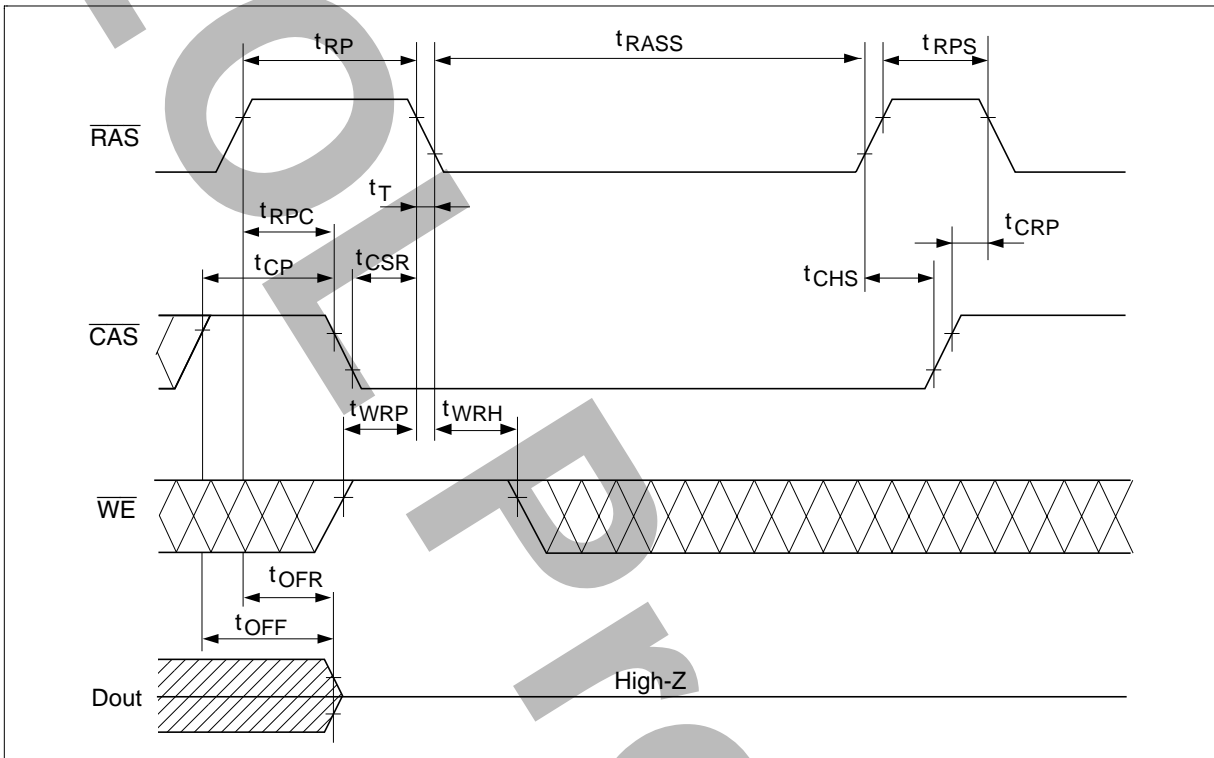
EDO Page Mode Read-Modify-Write Cycle^{*18}



EDO Page Mode Mix Cycle (1)



Self Refresh Cycle (L-version)*^{21, 22, 23, 24}

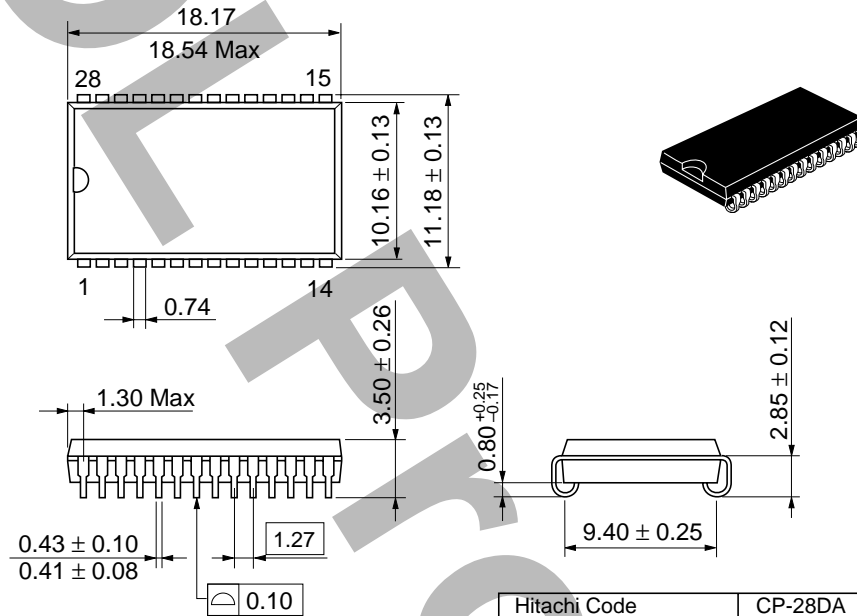


HM51W17805 Series

Package Dimensions

HM51W17805J/LJ Series (CP-28DA)

Unit: mm

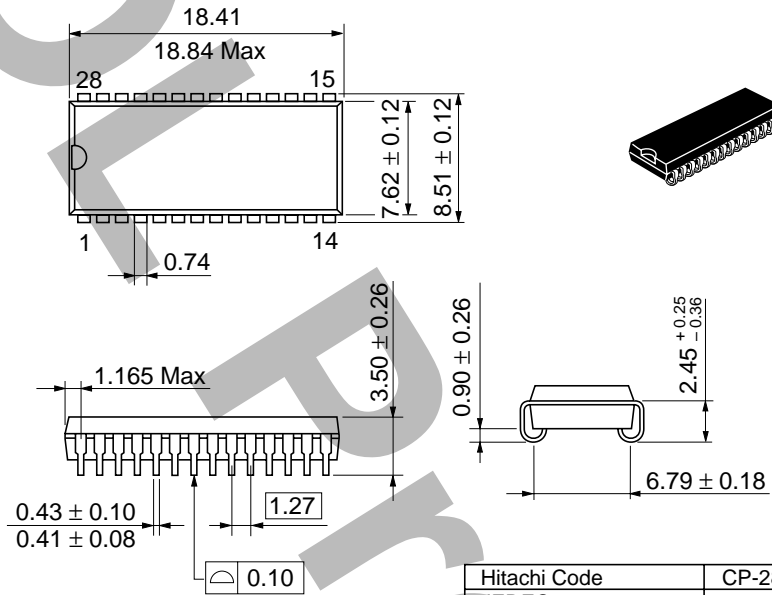


Dimension including the plating thickness
Base material dimension

HM51W17805 Series

HM51W17805S/LS Series (CP-28DNA)

Unit: mm

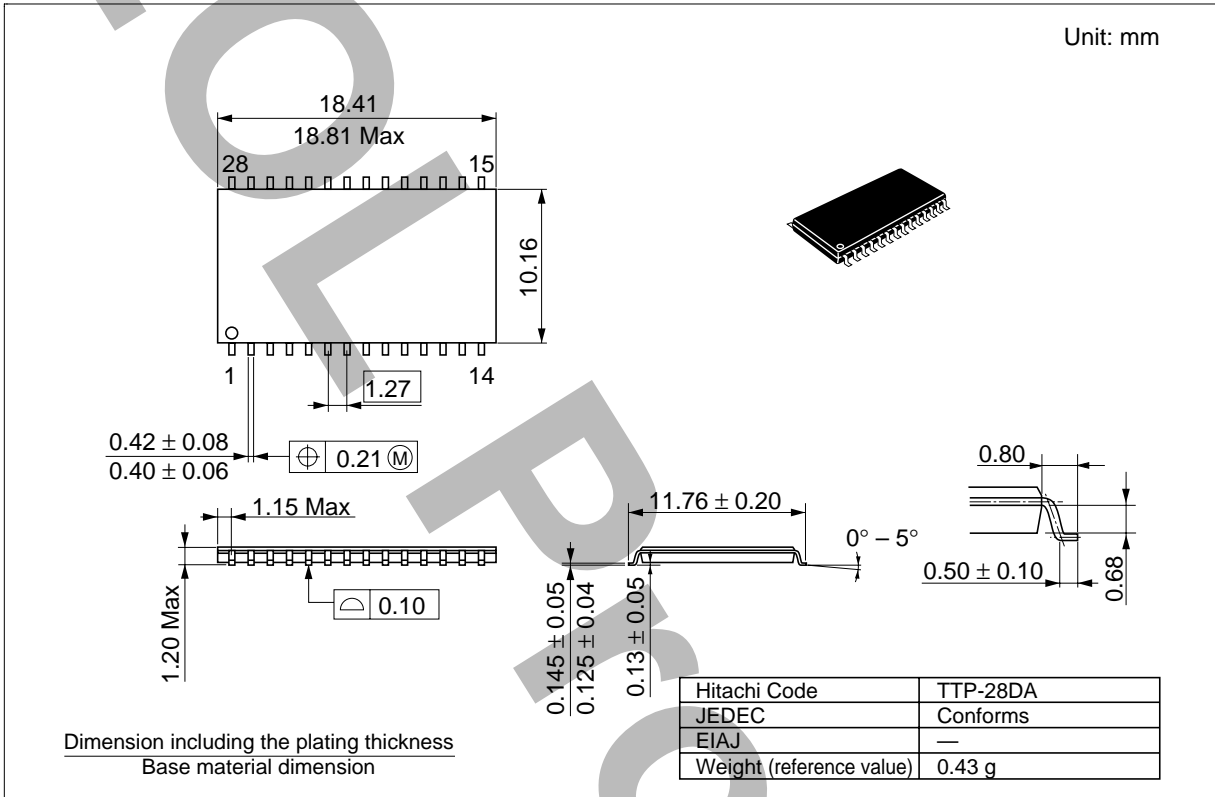


Dimension including the plating thickness
Base material dimension

Hitachi Code	CP-28DNA
JEDEC	—
EIAJ	—
Weight (reference value)	0.95 g

HM51W17805 Series

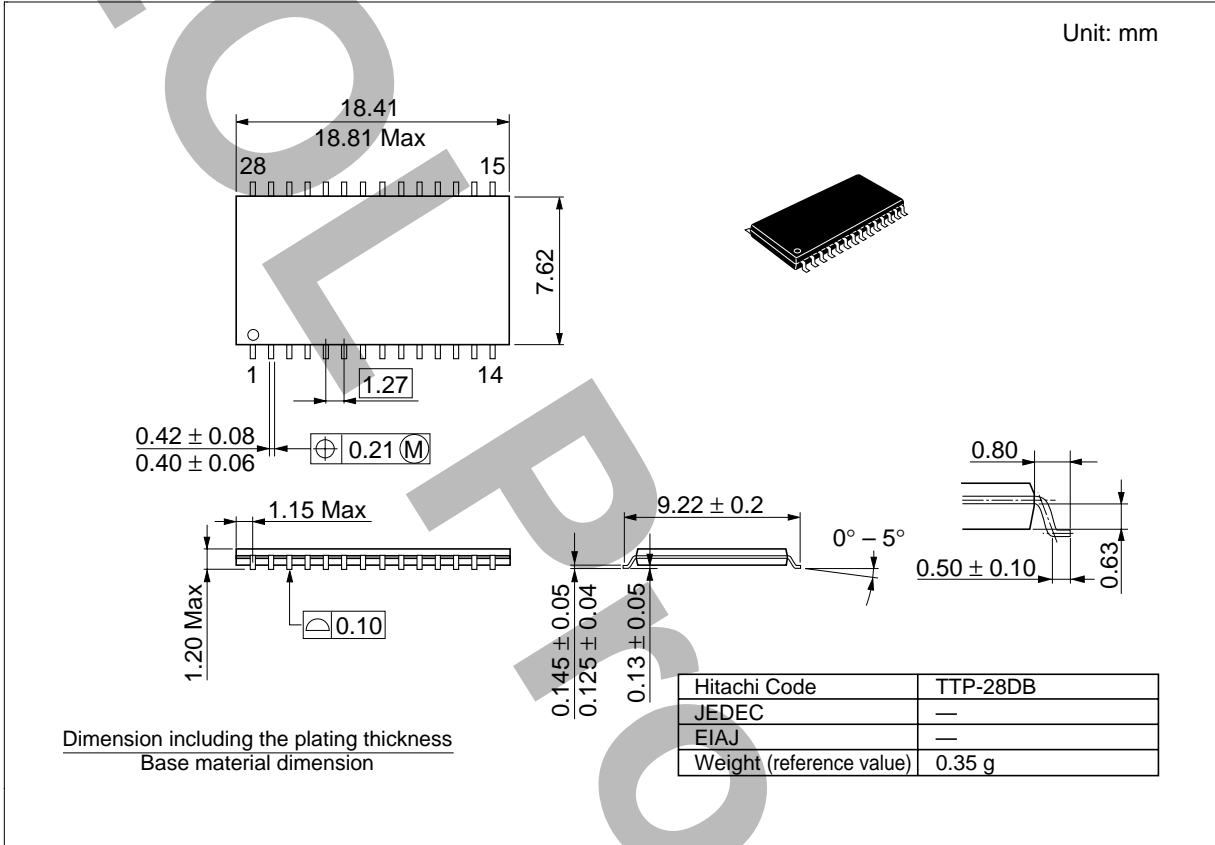
HM51W17805TT/LTT Series (TTP-28DA)



HM51W17805 Series

HM51W17805TS/LTS Series (TTP-28DB)

Unit: mm



HM51W17805 Series

Cautions

1. Elpida Memory, Inc. neither warrants nor grants licenses of any rights of Elpida Memory, Inc.'s or any third party's patent, copyright, trademark, or other intellectual property rights for information contained in this document. Elpida Memory, Inc. bears no responsibility for problems that may arise with third party's rights, including intellectual property rights, in connection with use of the information contained in this document.
2. Products and product specifications may be subject to change without notice. Confirm that you have received the latest product standards or specifications before final design, purchase or use.
3. Elpida Memory, Inc. makes every attempt to ensure that its products are of high quality and reliability. However, contact Elpida Memory, Inc. before using the product in an application that demands especially high quality and reliability or where its failure or malfunction may directly threaten human life or cause risk of bodily injury, such as aerospace, aeronautics, nuclear power, combustion control, transportation, traffic, safety equipment or medical equipment for life support.
4. Design your application so that the product is used within the ranges guaranteed by Elpida Memory, Inc. particularly for maximum rating, operating supply voltage range, heat radiation characteristics, installation conditions and other characteristics. Elpida Memory, Inc. bears no responsibility for failure or damage when used beyond the guaranteed ranges. Even within the guaranteed ranges, consider normally foreseeable failure rates or failure modes in semiconductor devices and employ systemic measures such as fail-safes, so that the equipment incorporating Elpida Memory, Inc. product does not cause bodily injury, fire or other consequential damage due to operation of the Elpida Memory, Inc. product.
5. This product is not designed to be radiation resistant.
6. No one is permitted to reproduce or duplicate, in any form, the whole or part of this document without written approval from Elpida Memory, Inc..
7. Contact Elpida Memory, Inc. for any questions regarding this document or Elpida Memory, Inc. semiconductor products.

©Elpida Memory, Inc. 2001