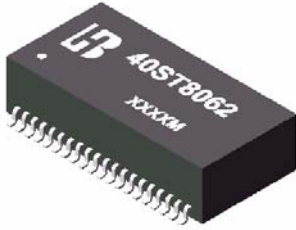


40 PIN SMD ETHERNET 10-BASE T QUAD PORT TRANSFORMER

P/N: 40ST8062 DATA SHEET

Feature



- IEEE 802.3 Ethernet compatible suitable for “Filterless” transceiver chip (level one chip).
- Surface mountable .
- Design for multiport repeater and Ethernet switching hub application.
- Customer designs available for specific application.
- Operating temperature range : 0°C to +70°C.
- Storage temperature range: -25°C to +125°C.

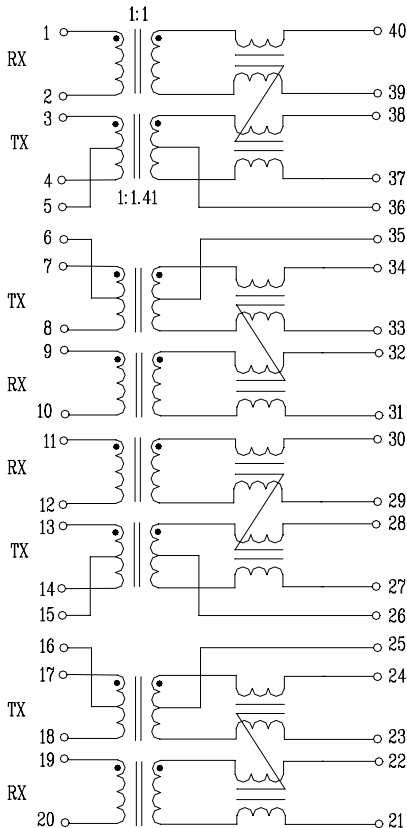
Electrical Specifications @ 25°C

Part Number	Turns Ratio (±5%)		Pri.OCL(μ H Min) TX/RX	L.L(μ H Max) TX/RX	C _{ww} (pF Max) TX/RX	Pri.Resistance (Ω Max) TX/RX
	TX	RX				
40ST8062	1CT:1.41CT	1:1	140	0.4	15	0.3

Continue

Part Number	Peak Pulse Rating (V)	Dissipation Rating (m W)	Insulation Resistance (M Ω)@50V _{DC}	HI-POT (Vrms)
40ST8062	50	75	10,000	1500

Schematic



Mechanical

