

# KR Electronics

## General Description

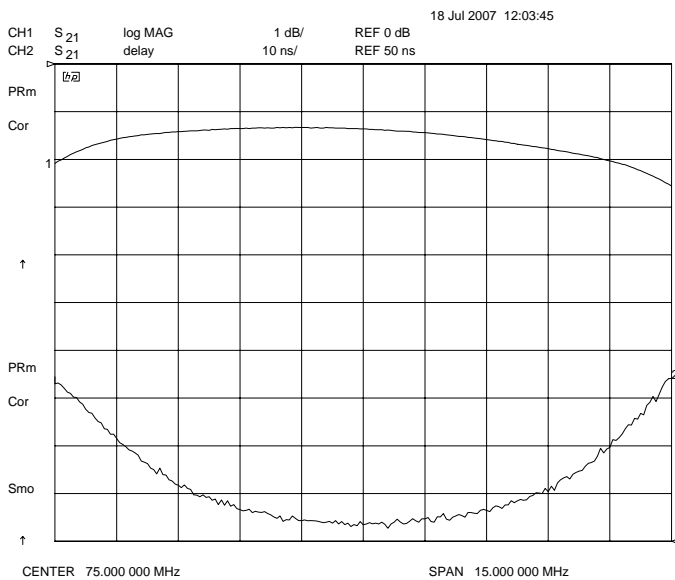
KR 2790 is a 75 MHz surface mount bandpass filter. The filter has a minimum 2 dB bandwidth of 15 MHz. Other passband frequencies are available. Please consult the factory.

### Features

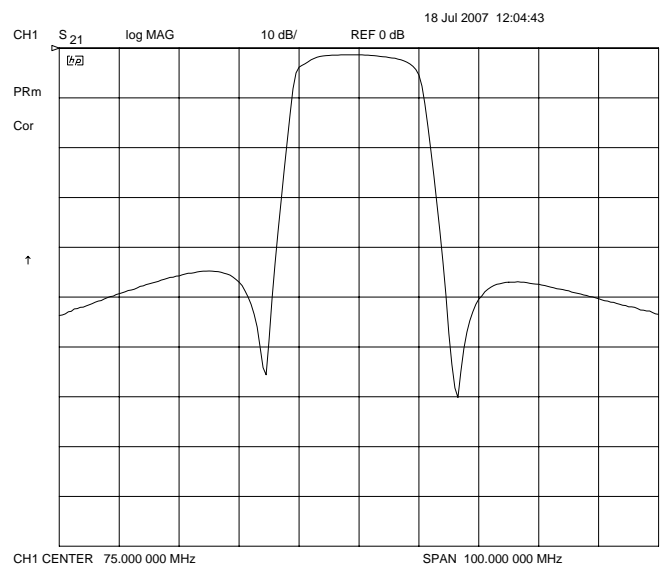
- 75 MHz Center Frequency
- Surface Mount Package
- 50  $\Omega$  Source and Load

## Typical Performance

### Passband Amplitude & Group Delay (1 dB/div and 10 nsec/div)



### Overall Response (10 dB/div)



KR Electronics, Inc.  
91 Avenel Street  
Avenel, NJ 07001

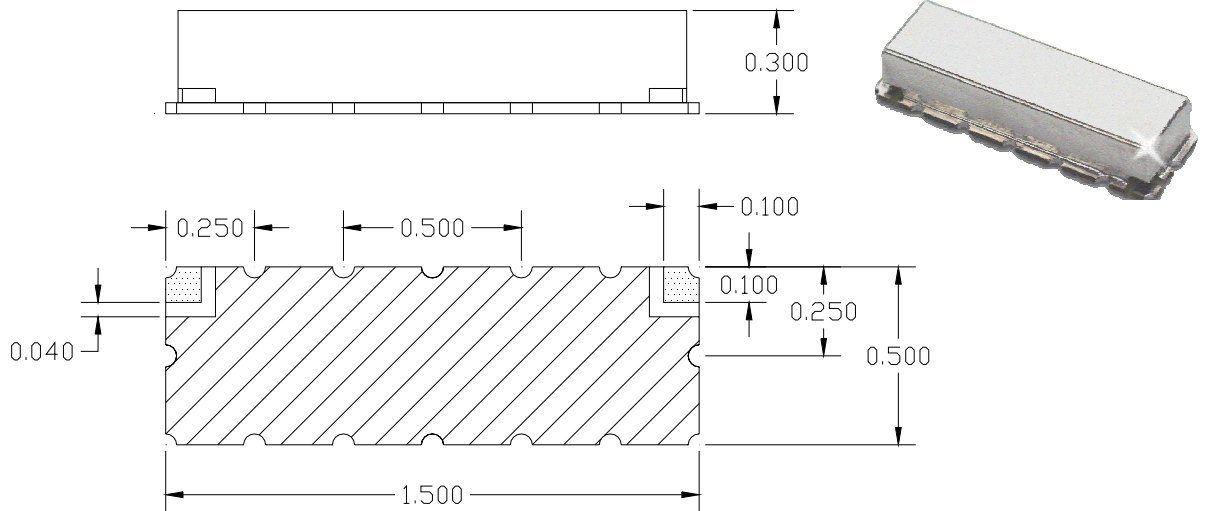
Web www.krfilters.com  
Email sales@krfilters.com  
Phone (732) 636-1900  
Fax (732) 636-1982

# KR Electronics 2790

## Specifications

Parameter	Specification
Filter type	Bandpass
Center Frequency	75 MHz
Insertion Loss	< 2.5 dB (1.5 dB typical)
2 dB Bandwidth	15 MHz min (67.5 to 82.5 MHz)
Attenuation at 60 MHz	40 dB min
Attenuation at 90 MHz	40 dB min
Source and Load	50 Ω

## Physical Dimensions



**Notes:**

1. Surface mount package — Metal cover, open frame
2. Dimensions in inches
3. Maximum reflow temperature 209° C for 10 seconds maximum
4. If boards are cleaned after installation, units must be completely dried