



# Frontier Electronics Corp.

667 E. COCHRAN STREET, SIMI VALLEY, CA 93065

TEL: (805) 522-9998 FAX: (805) 522-9989

E-mail: frontiersales@frontierusa.com

Web: frontierusa.com

## High Current RF Varnished Chokes (Axial Leads)-11407 series

### A. Electrical Specifications:

Part No.	L (uH)	DCR ( $\Omega$ max.)	I sat. (DC Amps)	I rms. (AC Amps)
114073R9	3.9	.019	7.3	1.280
114074R7	4.7	.022	6.3	1.280
114075R6	5.6	.024	5.6	1.280
114076R8	6.8	.026	5.3	1.280
114078R2	8.2	.028	4.5	1.280
11407100	10	.033	4.1	1.280
11407120	12	.037	3.6	1.280
11407150	15	.040	3.3	1.280
11407180	18	.044	3.0	1.280
11407220	22	.050	2.7	1.280
11407270	27	.058	2.5	1.280
11407330	33	.075	2.2	1.008
11407390	39	.094	2.0	0.804
11407470	47	.109	1.8	0.804
11407560	56	.140	1.7	0.804
11407680	68	.145	1.5	0.804
11407820	82	.152	1.4	0.804
11407101	100	.208	1.2	0.632
11407121	120	.283	1.1	0.508
11407151	150	.340	1.00	0.508
11407181	180	.362	0.95	0.508
11407221	220	.430	0.86	0.508
11407271	270	.557	0.77	0.400
11407331	330	.665	0.70	0.400
11407391	390	.772	0.64	0.400
11407471	470	1.15	0.59	0.315
11407561	560	1.27	0.54	0.315
11407681	680	1.61	0.49	0.250
11407821	820	1.96	0.44	0.200
11407102	1000	2.30	0.40	0.200
11407122	1200	2.65	0.35	0.200
11407152	1500	3.45	0.33	0.158
11407182	1800	4.03	0.29	0.158
11407222	2200	4.48	0.27	0.158
11407272	2700	5.90	0.24	0.125
11407332	3300	6.56	0.22	0.125
11407392	3900	8.63	0.200	0.100
11407472	4700	10.5	0.180	0.100
11407562	5600	13.9	0.166	0.082
11407682	6800	16.3	0.151	0.082
11407822	8200	20.8	0.136	0.065
11407103	10000	26.4	0.125	0.050
11407123	12000	29.9	0.114	0.050
11407153	15000	42.5	0.098	0.039
11407183	18000	48.3	0.091	0.039

Note: **RoHS** compliant; for the **ROHS** parts, we add “-LFR” at the end of the P/N.



# Frontier Electronics Corp.

667 E. COCHRAN STREET, SIMI VALLEY, CA 93065

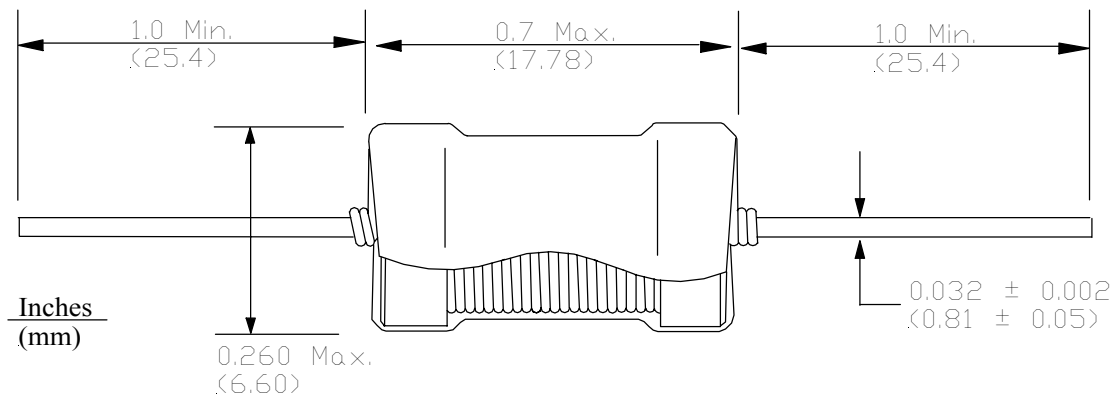
TEL: (805) 522-9998 FAX: (805) 522-9989

E-mail: frontiersales@frontierusa.com

Web: frontierusa.com

## High Current RF Varnished Chokes (Axial Leads)-11407 series

### B. Mechanical Dimensions:



### C. General Information:

1. Inductance:  $\pm 15\%$  @ 1 KHz, 10% and 5% tolerances optional.
2. Ferrite bobbin core
3. Low DCR & High current capacity.
4. Saturation current to cause 10% maximum inductance drop.
5. Ambient Temperature  $-55^{\circ}\text{C}$  to  $+125^{\circ}\text{C}$ .
6. Rated current to cause  $35^{\circ}\text{C}$  max. temperature rise
7. Dielectric strength 2500Vrms
8. Coil finished with varnish and covered with VW1 rated shrink tubing.
9. Packaging for bulk: 200 pcs/box and 32000 pcs/carton.

**Note:** *RoHS* compliant; for the *RoHS* parts, we add “-LFR” at the end of the P/N.