



Series SP200 & SJ200 .040 [1.02] Shorting Plugs and Jacks

FEATURES:

- These shorting plugs and jacks are used in conjunction with Aries' DIP strips, available separately, for your programming needs. Consult Data Sheet Nos. 16007 and 16008 for details.
- Convenient handle for insertion and withdrawal.

SHORTING JACK (SJ200) SPECIFICATIONS:

- Body material is black UL 94V-0 Glass-filled 4/6 Nylon.
- Pin body is Brass Alloy 360 1/2 hard per UNS C36000 ASTM-B16-00.
- Pin body plating:
SJ200 = 200 μ [5.08 μ m] min. Tin per ASTM B545 Type 1 over 100 μ [2.54 μ m] min. Nickel per SAE-AMS-QQ-N-290.
SJ200-TL = 200 μ [5.08 μ m] min. 93/7 Tin/Lead per ASTM B545 over 100 μ [2.54 μ m] min. Nickel per SAE-AMS-QQ-N-290.
- 4-fingered collet contact is Beryllium Copper Alloy per UNS C17200 ASTM-B194-01.
- Contact plating is 30 μ [.76 μ m] min. Gold per MIL-G-45204 over 50 μ [1.27 μ m] min. Nickel per SAE-AMS-QQ-N-290.
- Contact current rating=8 Amps.
- Operating temperature=-67°F to 221°F [-55° to 105°C].
- Insertion Force=240 grams/pin; Withdrawal Force=130 grams/pin; Normal Force=210 grams/pin; based on a .040 [1.02] diameter test lead.
- Accepts leads .032-.047 [.81-1.19] in diameter, .130-.180 [3.30-4.56] long.

SHORTING PLUG (SP200) SPECIFICATIONS:

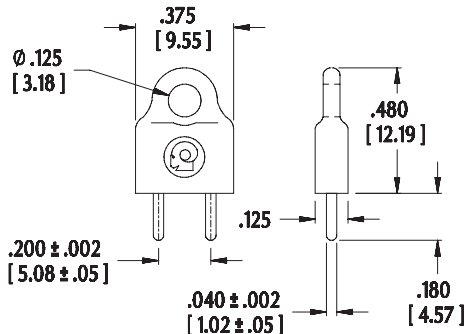
- Body material is black UL 94V-0 Glass-filled 4/6 Nylon.
- Pin is Brass Alloy 260, 1/4 or 1/2 hard.
- Pin plating is 10 μ [.25 μ m] Gold per MIL-G-45204 over 50 μ [1.27 μ m] Nickel per SAE-AMS-QQ-N-290.
- Current rating=5 Amps.
- Operating temperature= -67°F to 257°F [-55°C to 125°C].

ALL DIMENSIONS: INCHES [MILLIMETERS]

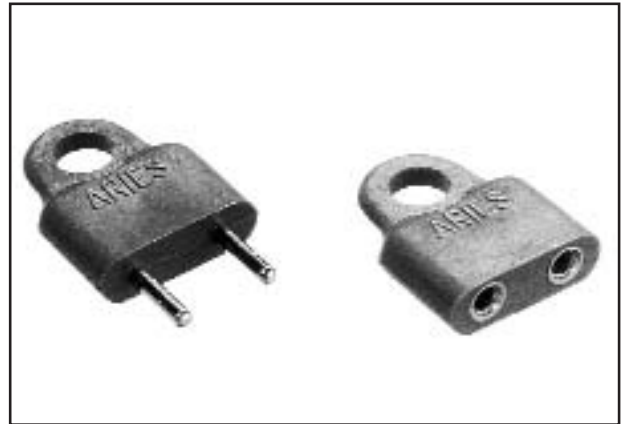
All tolerances \pm .005 [.13] unless otherwise specified

ORDERING INFORMATION

Specify Part No. SP200 when ordering shorting plugs



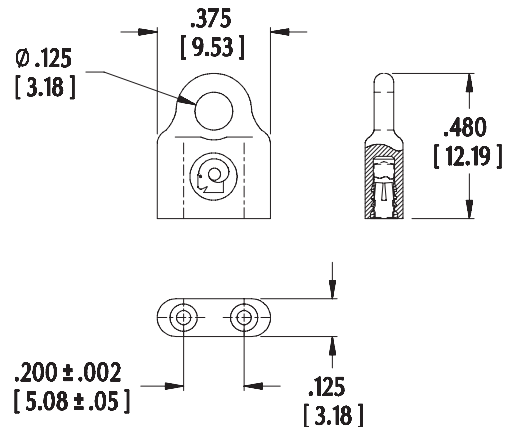
Shorting plugs are used with Aries' female DIP strips, Series F40. Consult Data Sheet No. 16008 for details.



Note: Aries specializes in custom design and production. In addition to the standard products shown on this page, special materials, platings, sizes, and configurations can be furnished, depending on quantities. Aries reserves the right to change product specifications without notice.

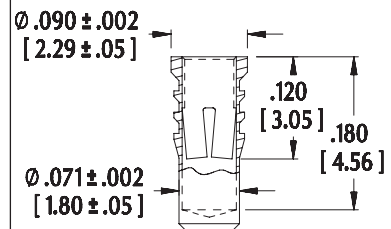
ORDERING INFORMATION

Specify Part No. SJ200 or SJ200-TL when ordering shorting jacks



Shorting jacks are used with Aries' male DIP strips, Series M40. Consult Data Sheet No. 16007 for details.

CONTACT DETAIL



Bristol, PA USA
TEL: (215) 781-9956
FAX: (215) 781-9845



16009
REV. E