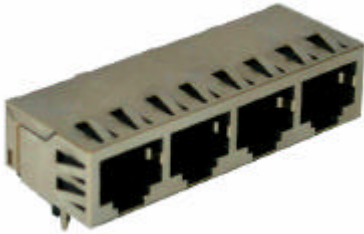


“LAN-MATE” SERIES

SINGLE RJ45 CONNECTOR MODULE WITH INTEGRATED 10/100 BASE-TX MAGNETICS

P/N: LU4T041CX LF

Feature



- RJ-45 needs to be matched FCC standard
- RJ-45 connector integrated with transformer/impedance resistor/high voltage capacitor.
- Size same as RJ-45 connector to save PCB board space
- Reduced EMI radiation to improve EMI performance.
- Design for 10/100 BASE transmission over UTP-5 cable.
- Comply with RoHS requirements-whole part No Cd, No Hg, No Cr6+, No PBB and PBDE and No Pb on external pins.
- Operating temperature range: 0 to +70 .
- Storage temperature range: -25 to +125 .

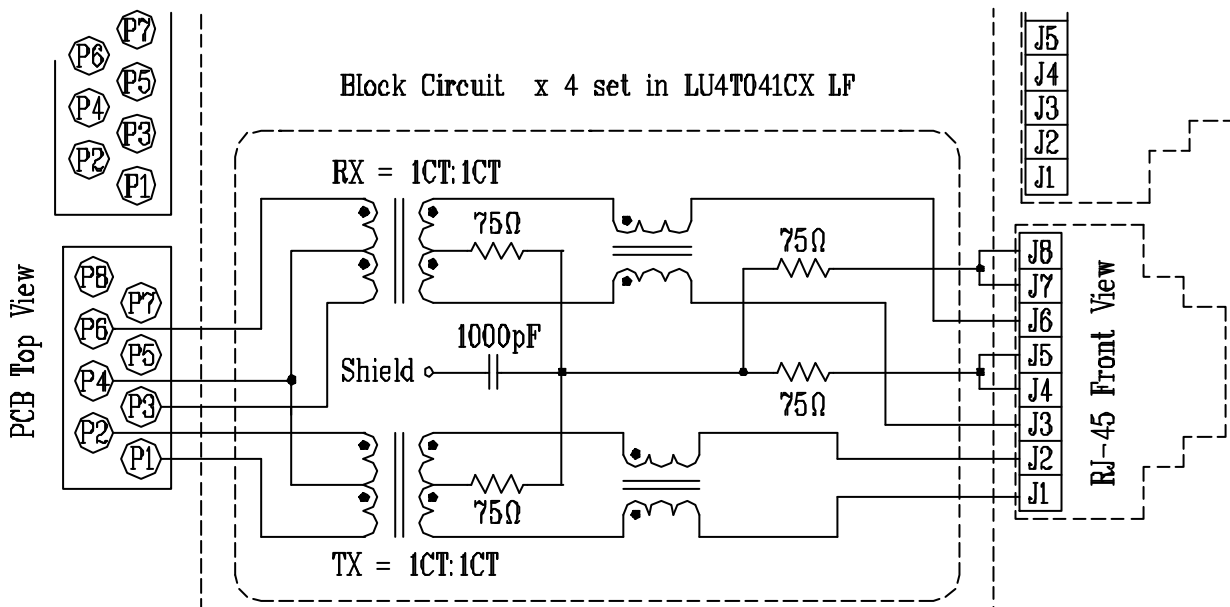
Electrical Specifications @ 25° C

Part Number	Turns Ratio (±5%)		OCL(uH Min) @ 100 KHz/0.1V with 8mA DC Bias	C _{ww} (pF Max)	L.L (uH Max)	Insertion Loss (dB Max) 0.3-100MHz	HI-POT (Vrms)
	TX	RX					
LU4T041CX LF	1CT:1CT	1CT:1CT	350	56	0.5	-1.15	1500

Continue

Part Number	Return Loss (dB Min)					Cross talk (dB Min)			CMR (dB Min)		
	30MHz	40MHz	50MHz	60MHz	80MHz	0.3-30MHz	30-60MHz	60-100MHz	1-30MHz	30-60MHz	60-125MHz
LU4T041CX LF	-16	-14	-13.5	-13	-10	-40	-35	-30	-30	-25	-20

Schematic

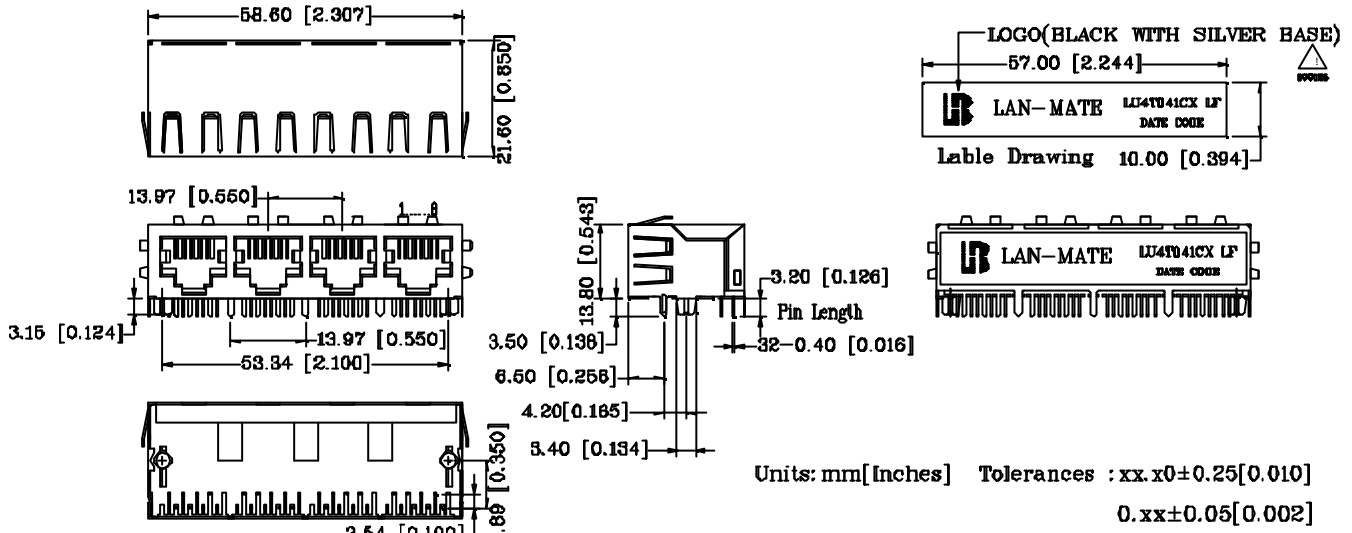


“LAN-MATE” SERIES

SINGLE RJ45 CONNECTOR MODULE WITH INTEGRATED 10/100 BASE-TX MAGNETICS

P/N: LU4T041CX LF

Mechanical



- | | | |
|---------------------|---|---|
| 1. Plastic Material | : | Thermoplastic (UL 94V-0), Black Housing |
| 2. Metal Shield | : | Brass, 20u" inches thick Nickel |
| 3. Spring Wire | : | Phosphor bronze with selective gold plating |
| 4. Solder Pin | : | 0.4x0.4mm, Phosphor bronze with solder Plated |
| 5. Durability | : | 750 Mating cycles Min. |

PCB Layout Mounting Hole(Top View)

