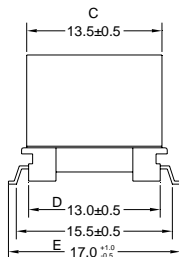
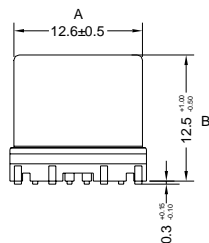
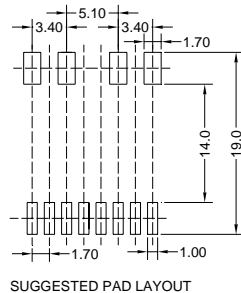
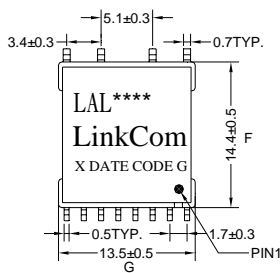


Broadband Access Transformer

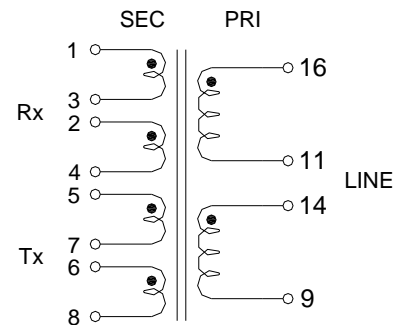
- Designed to meet UL 60950 and EN 60950 requirements for supplementary insulation and 250V working voltage
- RoHS Compliant
- Excellent THD performance
- Operating Temperature -40°C to 85°C

Electrical Specifications @25°C		
OCL:	PIN 9-16= 100uH ±10% @ 10KHz/0.1V/Ser.	
Leakage Inductance:	PIN 1-4= 4.2uH ±1.5 @ 100KHz/0.1V	
	PIN 5-8= 120 nH Ref.	PIN 9-16= 4.3uH ±1.5
Interwining Capacitance:	PIN1-16= 9.0 pF±2 pF . @ 100KHz/0.1V	
	PIN5-16= 8.3 pF±2.7 pF	PIN 1-8= 12 pF±4.0 pF
T.H.D	PIN 1-4 to PIN 9-16 = -80dB Max. @ 30KHz/3.162V	
	PIN 5-8 to PIN 9-16 = -75dB Max. @ 30KHz/3.162V	
D.C.R:	PIN 1-3 = 210 mohm ±15%	PIN 2-4 = 210 mohm ±15%
	PIN 5-8 = 57 mohm ±15%	PIN 6-8 = 57 mohm ±15%
	PIN 16-11 = 200 mohm 57 ±15%	PIN 14-9 = 200 mohm 57 ±15%
Hi-POT :	PRI. – SEC. =1875VAC/60Hz2Seconds/1mA	
Turn Ratio:	PIN1-4 : PIN 16-9 = 1±3% :1	PIN5-8 : PIN 16-9= 4.25±3% :1

Dimensions Units: mm



Schematic



Mark

- 1.LAL****----LAL0660
2. X----PRODUCT LINE
3. DATE CODE----YYWW
4. G----RoHS